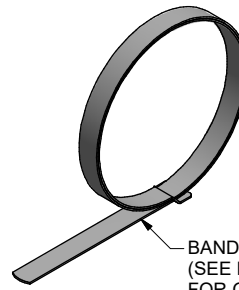


⑨ ANTI-ROTATIONAL SET SCREW



BAND (SUPPLIED FLAT) ③⑩
(SEE PART NUMBER BREAKDOWN FOR OPTIONS)

CODE 18 - BANDING BACKSHELL

BNX18AB00-1608 -

SERIES _____
 BNX - BAND STRAP NOT INCLUDED
 BND - BAND STRAP INCLUDED
 (SEE BAND TERMINATION CONFIGURATION)
 CONNECTOR INTERFACE _____
 MATERIAL _____
 REFER TO CH00-0250-016
 FINISH _____
 REFER TO CH00-0250-016
 ANGLE _____
 ORDER NUMBER (TABLE 1) _____
 ENTRY SIZE (TABLE 2) _____
 BAND TERMINATION CONFIGURATION ③⑩ _____
 V - ONE STEP STANDARD BAND
 W - ONE STEP MICROBAND
 U - TWO STEP STANDARD BAND
 FOR BNX, LEAVE BLANK
 OPTION FIELD SEPARATOR _____
 MODIFICATION CODE _____
 REFER TO CH00-0250-016 ②

NOTES:

1. THIS PRODUCT IS DESIGNED TO TERMINATE A BRAIDED CABLE SHIELD BY MEANS OF A BAND STRAP AND A HEAT SHRINKABLE LIPPED BOOT TO A CONNECTOR.

② FOR ADDITIONAL DIMENSIONS, ORDERING INFORMATION AND MODIFICATIONS, SEE CH00-0250-016.

③ SEE DRAWING BND-XXXXX FOR MORE INFORMATION.

4. BACKSHELL TO BE PERMANENTLY MARKED WITH CODE IDENTIFICATION NUMBER AND FULL BASIC PART NUMBER (e.g. 06090-BND18AB00-1812). BACKSHELL TO BE MARKED WITH "BND" EVEN IF NO BAND IS ORDERED. THE BAND TERMINATION CONFIGURATION CODE IS FOR ORDERING INFORMATION ONLY AND IS NOT A PART MARKING REQUIREMENT.

⑤ IF MAX ENTRY IS EXCEEDED, A 2 PIECE BACKSHELL ASSEMBLY (TYPE 2) IS SUPPLIED.

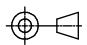


6. BACKSHELL MATES TO MIL-DTL-5015D, CLASS A, E & R, MS3100, MS3101 & MS3106. RESILIENT INSERT, SOLDER TYPE & BENDIX 10-214, CANNON CA-RX COMMERCIAL CRIMP TYPE.

⑦ ADDITIONAL PIECE(S) SUPPLIED WHEN CONNECTOR MANUFACTURER IS UNKNOWN ("D" IN TABLE 1).

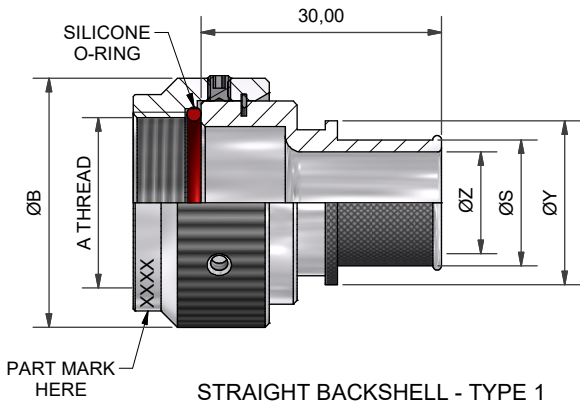
⑧ ALL THREADS SIZES FOR ORDER NO. APPLY

⑨ ANTI-ROTATIONAL SET SCREW, THREE THREADED HOLES 120° ± 5° APART, SINGLE MATING SET SCREW SUPPLIED.

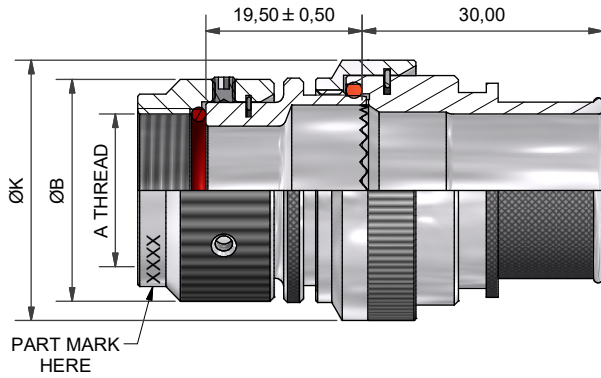
⑩ V AND U BANDS ARE SUITABLE FOR ENTRY SIZES 03-24, W IS SUITABLE FOR ENTRY SIZES 03-12 ONLY. CONTACT FACTORY FOR BAND OPTIONS ON LARGER ENTRY SIZES.

DRAWN	K.WINCZURA	DATE	18/12/2014	 3RD ANGLE PROJECTION NOT TO SCALE	TITLE:	BANDING BACKSHELL	 Polamco		
CHECKED		DATE	18/12/2014						
APPROVED	K.SHEPPARD	DATE	19/12/2014					<small>UNLESS OTHERWISE SPECIFIED ALL DIMENSIONS IN MILLIMETRES</small> GENERAL TOL <small>LINEAR +/-0.25MM</small> <small>ANGULAR +/- 1°</small>	
APPROVED	H.SMITH	DATE	06/10/2015						
REVISIONS					ASSY USED ON:	MIL-DTL-5015D	 TE connectivity		
LTR	DESCRIPTION	DATE	APPROVED						
D	REVISED PER ECO-15-013980	06/10/2015	H.SMITH						
E	REVISED PER ECO-15-016545	17/11/2015	H.SMITH						
<small>TE CAGE CODE: 06090</small> <small>POLAMCO/TE CAGE CODE: U5792</small>					<small>TE CONNECTIVITY - POLAMCO LTD RESERVES THE RIGHT TO AMEND THIS DRAWING AND THE INFORMATION SET FORTH HEREON AT ANY TIME. USERS SHOULD INDEPENDENTLY EVALUATE THE SUITABILITY OF THE PRODUCT FOR THEIR APPLICATION.</small>		DRAWING NO: BND18	DRAWING REV: E	SHT 1

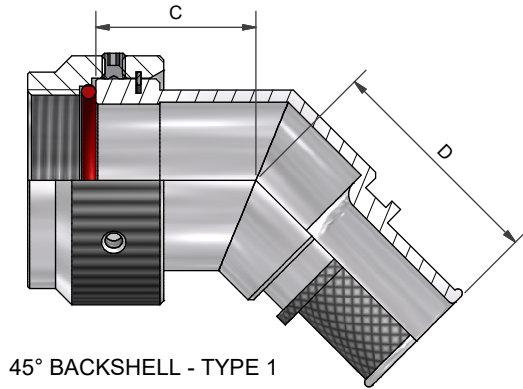
IF MAX ENTRY IS EXCEEDED BACKSHELL WILL BE SUPPLIED AS TYPE 2



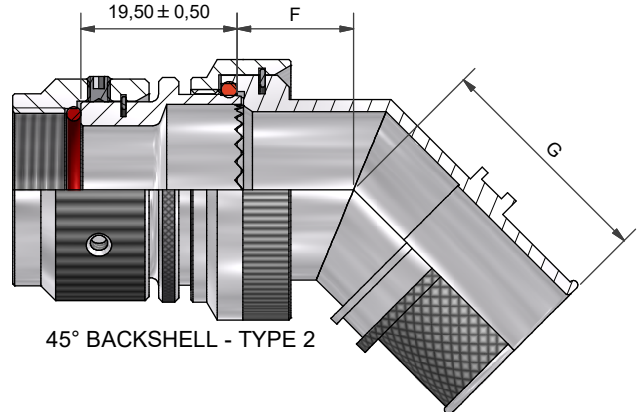
STRAIGHT BACKSHELL - TYPE 1



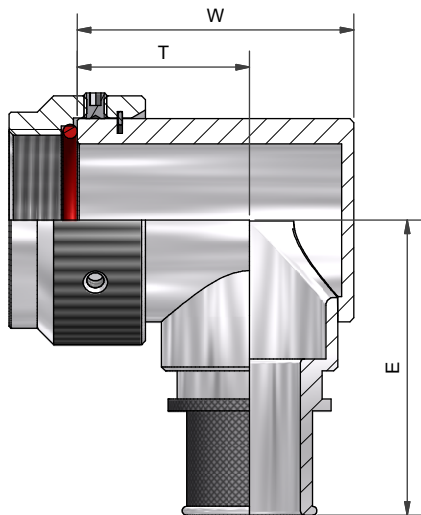
STRAIGHT BACKSHELL - TYPE 2



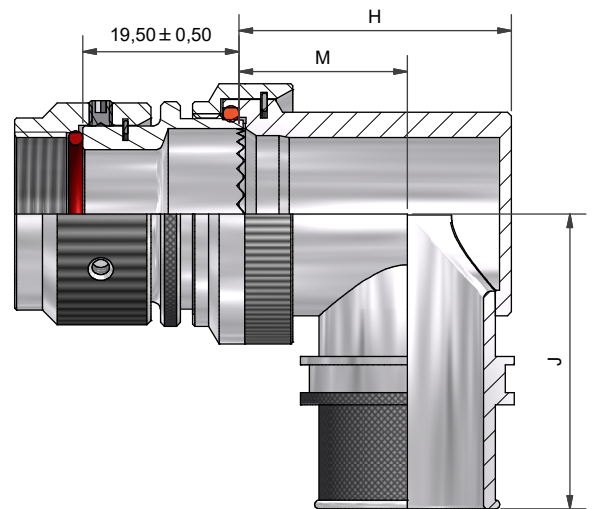
45° BACKSHELL - TYPE 1



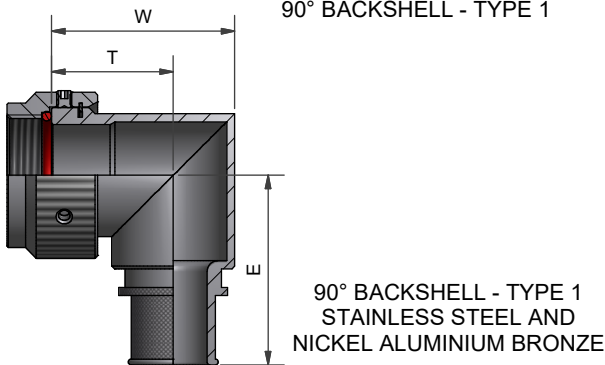
45° BACKSHELL - TYPE 2



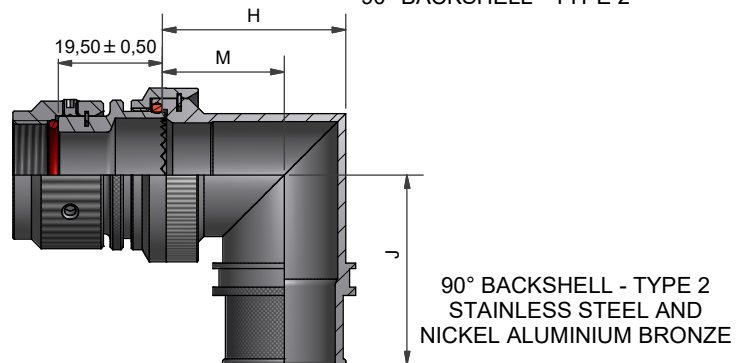
90° BACKSHELL - TYPE 1



90° BACKSHELL - TYPE 2



90° BACKSHELL - TYPE 1
STAINLESS STEEL AND
NICKEL ALUMINIUM BRONZE



90° BACKSHELL - TYPE 2
STAINLESS STEEL AND
NICKEL ALUMINIUM BRONZE

DRAWN	K.WINCZURA	DATE	18/12/2014
CHECKED		DATE	18/12/2014
APPROVED	K.SHEPPARD	DATE	19/12/2014
APPROVED	H.SMITH	DATE	06/10/2015
REVISIONS			
LTR	DESCRIPTION	DATE	APPROVED
D	REVISED PER ECO-15-013980	06/10/2015	H.SMITH
E	REVISED PER ECO-15-016545	17/11/2015	H.SMITH



3RD ANGLE
PROJECTION
NOT TO
SCALE

UNLESS OTHERWISE SPECIFIED
ALL DIMENSIONS IN MILLIMETRES
GENERAL TOL
LINEAR +/-0.25MM
ANGULAR +/- 1°

TITLE:

BANDING BACKSHELL

ASSY USED ON:

MIL-DTL-5015D

TE CAGE CODE: 06090
POLAMCO/TE CAGE CODE: U5792

TE CONNECTIVITY - POLAMCO LTD RESERVES THE RIGHT TO AMEND THIS DRAWING AND THE INFORMATION SET FORTH HEREON AT ANY TIME. USERS SHOULD INDEPENDENTLY EVALUATE THE SUITABILITY OF THE PRODUCT FOR THEIR APPLICATION.

DRAWING NO:
BND18

DRAWING REV:
E

SHT
2



Polamco



