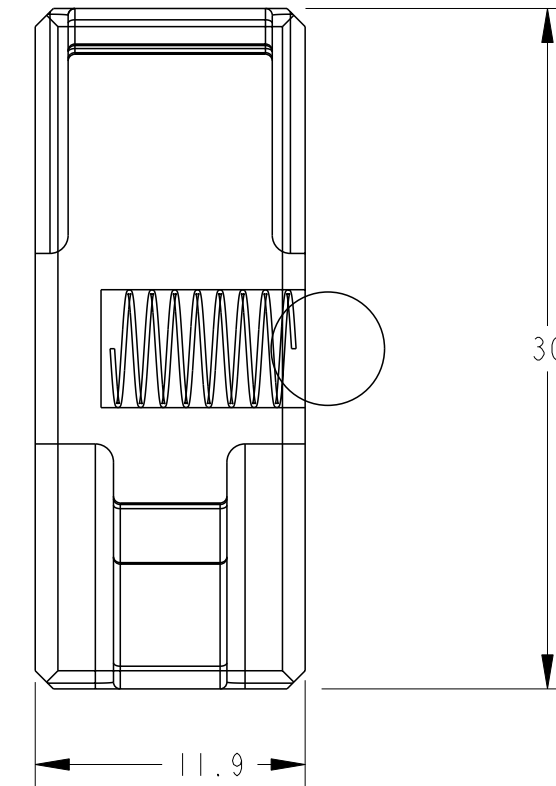
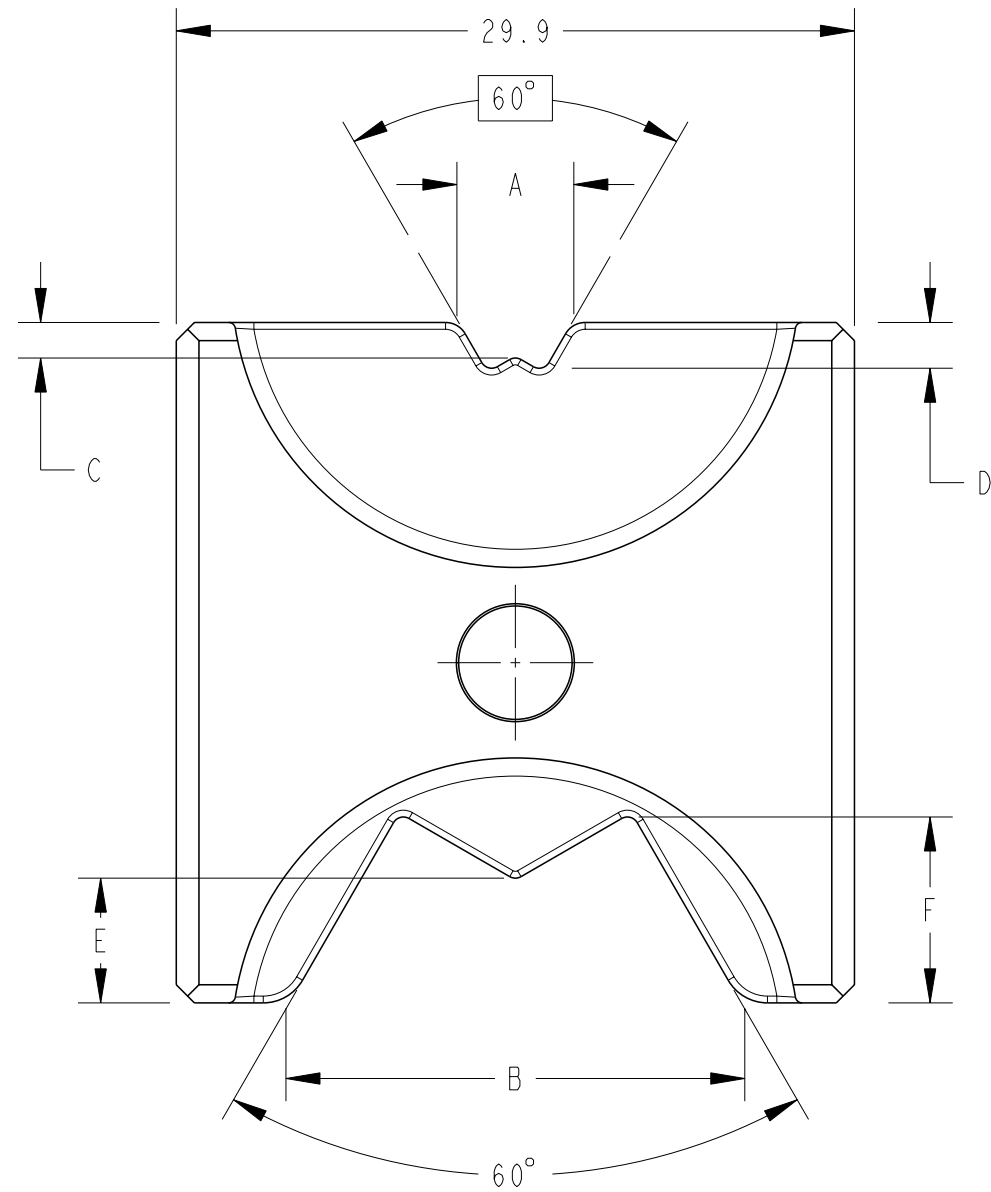


REVISIONS

P	LTR	DESCRIPTION	DATE	DWN	APVD
	A	NEW DRAWING	09MAR2020	NB	JL



6.71	4.55	3.75	2.43	17.21	10.00	4E 95-25 CU WM	1806382-1
6.45	4.50	3.19	2.06	15.30	8.70	4E 70-16 CU WM	1806379-1
5.36	3.77	2.72	1.96	12.80	6.86	4E 50-10 CU WM	1806378-1
4.27	2.94	2.16	1.56	11.50	5.66	4E 35-06 CU WM	1806353-1
8.20	5.50	2.02	1.57	19.92	5.0	4E 120-4 CU WM	1806352-1
F	E	D	C	B	A	DESCRIPTION	PART NUMBER

NOTES

1. TOLERANCES ACCORDING TO ISO-2769-mk.
2. CRIMPING DIE ASSEMBLY IS MADE OF 2 DIES.

THIS DRAWING IS A CONTROLLED DOCUMENT.		DWN 09MAR2020 N BASAVARAJ														
DIMENSIONS: mm		CHK 09MAR2020 BENOIT MILLOT														
TOLERANCES UNLESS OTHERWISE SPECIFIED:		APVD 09MAR2020 JONATHAN LARDEAU	NAME 4E...CU WM													
		PRODUCT SPEC -	SIZE A3													
<table border="1"> <tr><td>0 PLC</td><td>±0</td></tr> <tr><td>1 PLC</td><td>±0</td></tr> <tr><td>2 PLC</td><td>±0</td></tr> <tr><td>3 PLC</td><td>±0</td></tr> <tr><td>4 PLC</td><td>±0</td></tr> <tr><td>ANGLES</td><td>±</td></tr> </table>		0 PLC	±0	1 PLC	±0	2 PLC	±0	3 PLC	±0	4 PLC	±0	ANGLES	±	APPLICATION SPEC -	CAGE CODE 00779	DRAWING NO C-1806352
0 PLC	±0															
1 PLC	±0															
2 PLC	±0															
3 PLC	±0															
4 PLC	±0															
ANGLES	±															
MATERIAL PROTECTED STEEL		WEIGHT -	RESTRICTED TO -													
FINISH -		CUSTOMER DRAWING	SCALE 3:1	SHEET 1 OF 1 REV A												