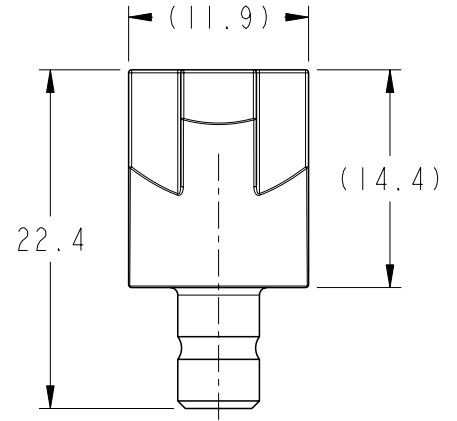
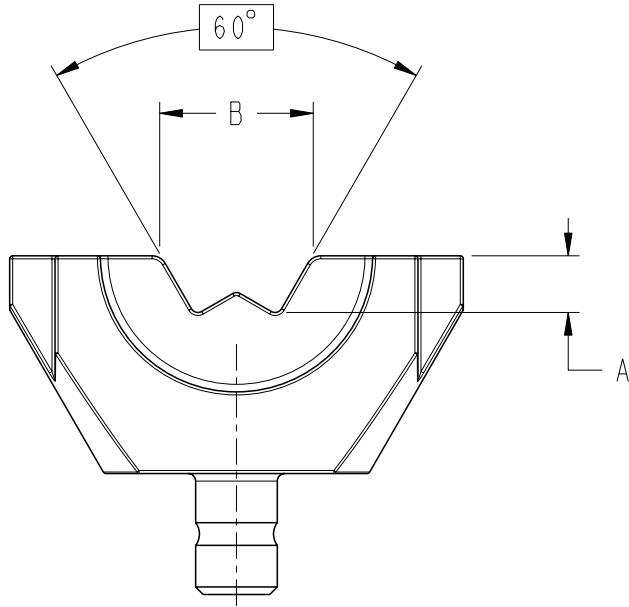


REVISIONS					
P	LTR	DESCRIPTION	DATE	DWN	APVD
	A	NEW DRAWING	09MAR2020	NB	GC



17.21	6.71	3E 95 CU WM	1830437-1
15.3	6.45	3E 70 CU WM	1830436-1
12.8	5.36	3E 50 CU WM	1830435-1
11.5	4.27	3E 35 CU WM	1830434-1
10.0	3.75	3E 25 CU WM	1830433-1
8.7	3.19	3E 16 CU WM	1830432-1
6.86	2.72	3E 10 CU WM	1830431-1
5.66	2.16	3E 06 CU WM	1830430-1
B	A	DESCRIPTION	PART NUMBER

NOTES

1. TOLERANCES ACCORDING TO ISO-2769-mk.
2. CRIMPING DIE ASSEMBLY IS MADE OF 2 DIES.

© 2020 TE Connectivity. All Rights Reserved.

DIMENSIONS: mm TOLERANCES UNLESS OTHERWISE SPECIFIED: 0 PLC ±0 1 PLC ±0 2 PLC ±0 3 PLC ±0 4 PLC ±0 ANGLES ±-	DWN N BASAVARAJ 09MAR2020	MATERIAL PROTECTED STEEL	FINISH -			
	CHK G. CARLHIAN 09MAR2020					
APVD A. GUICHARD 09MAR2020	NAME 3E....CU WM					
PRODUCT SPEC	APPLICATION SPEC	SIZE A 4	CAGE CODE 00779	DRAWING NO C-1830433	RESTRICTED TO	
WEIGHT -	CUSTOMER DRAWING		SCALE 2:1	SHEET 	OF 	REV