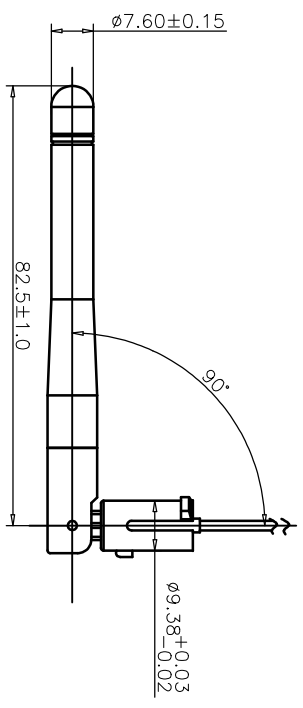
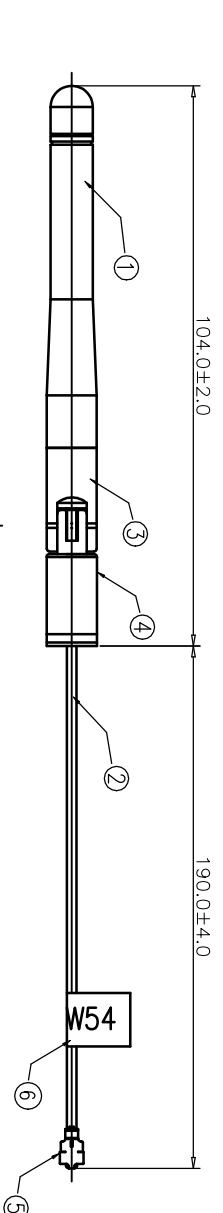


REVISIONS		DATE	DMN	APVD
P	LTR			
H	UPDATED PART NUMBER LIST	23AUG2018	PH	AC



ITEM	NAME	MATERIAL	QTY
⑥	Label 14.8*4.8(mm)		1PC
⑤	Connector	MHF Plug Connector For 1.13mm Cable	1PC
④	Lower base	Polycarbonate, Bayer Makrolon PC 2805, Color: black	1PC
③	Upper base	ABS+PC, Chimei PC-510 Color: black	1PC
②	Cable	1.13mm Coaxial Cable	1PC
①	Radome	TPEE S5D, Color: black	1PC

Dim A	PART NUMBER		COLOR
	PREFIX	BASE	
50	-		BLACK
90	1		BLACK
130	2	1982564	BLACK
150	3		BLACK
190	4		BLACK

- NOTES:
1. Frequency Range: 2400MHz~2500MHz/5150MHz~5875MHz
 2. Impedance: 50 OHM Nominal
 3. VSWR: ≤ 1.92
 4. Return loss: $\leq -10\text{dB}$
 5. Gain(peak): 2.0dBi(exclude cable loss)
 6. Polarization: Vertical.
 7. Temperature range: -10°C TO 55°C .

STE TE Connectivity

EXTERNAL DUAL BAND WLAN ANTENNA

THIS DRAWING IS A CONTROLLED DOCUMENT.		DMN	28JUN2007
DIM: M. Feilen		CHK	28JUN2007
APVD: P. Willertts		APVD	28JUN2007
D. Halberstadt		Product spec	
APPLICATOR SPEC		WEIGHT	
CUSTOMER DRAWING		SIZE	A3
CAGE CODE		DRAWING NO	1982564
SCALE		SHEET	1 of 1
RESTRICTED TO		REV	H