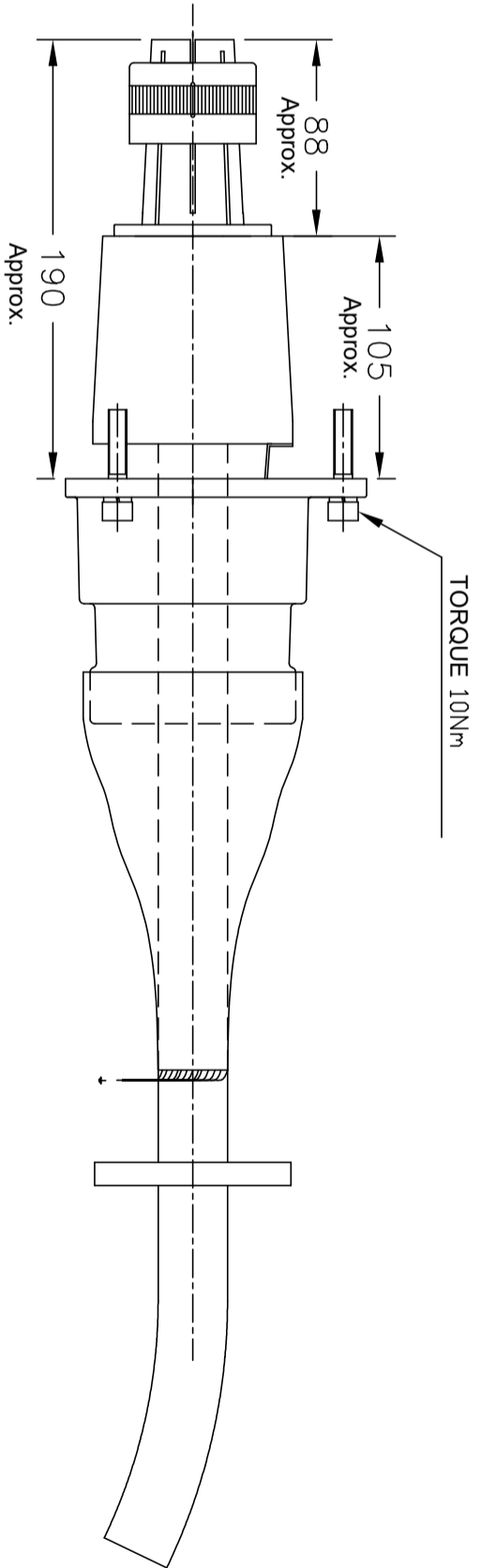
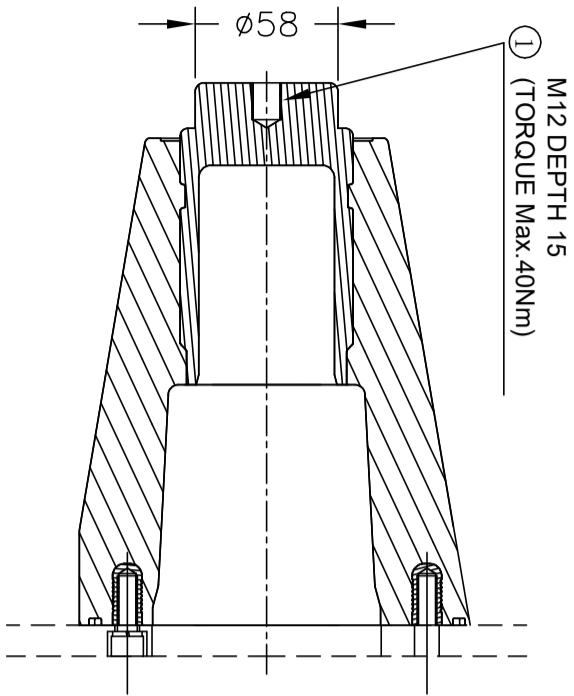
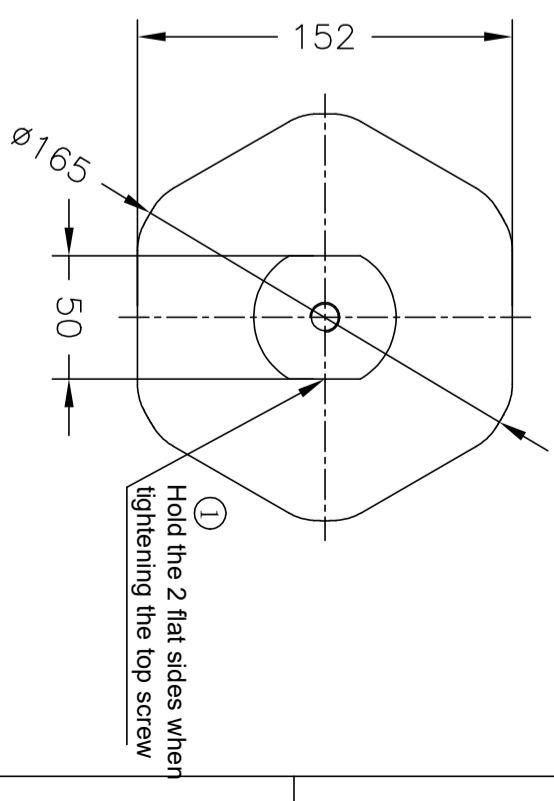
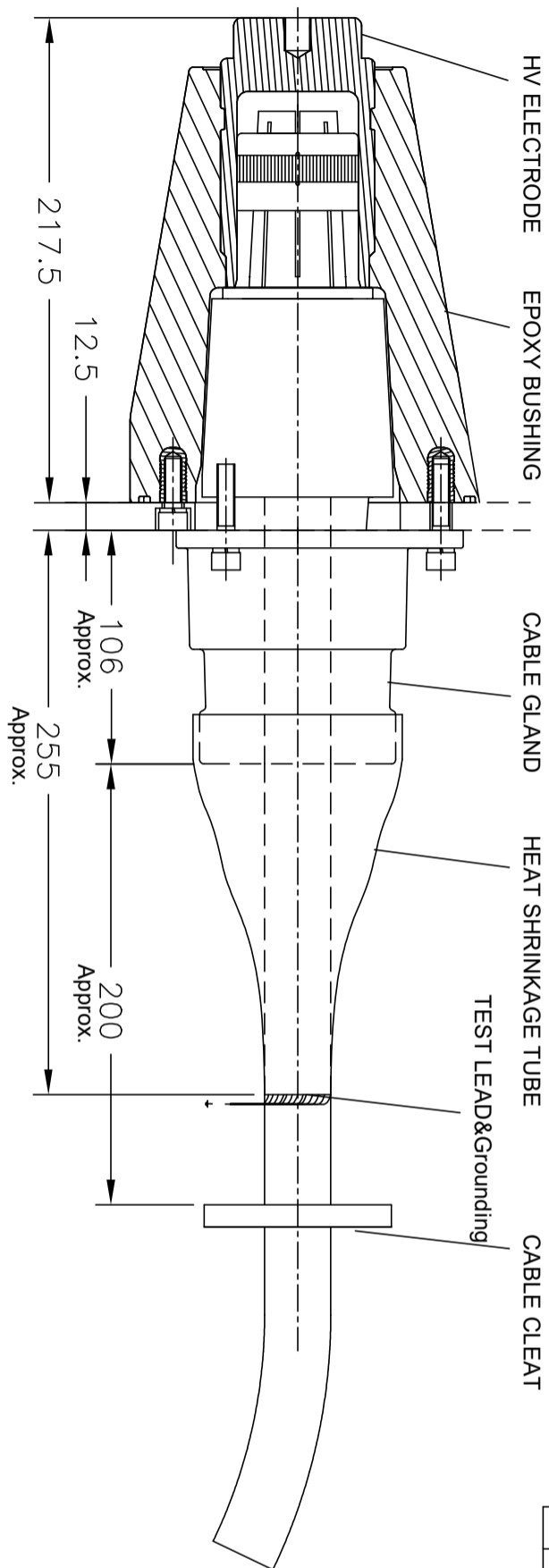


REVISIONS				
P	LTR	DESCRIPTION	DATE	DWN APVD
1		ORIGINAL		W.X. L.K.



TECHNICAL DATA	
MAX. VOLTAGE Um(kv)	42
AC Withstand(kv)	117
LIGHTING IMPULSE VOLTAGE(kv)	200
MAX. INSULATION DIA. (mm)	55
THERMAL SC	35KA/5S
DYNAMIC SC	125KA
Rated current(A)	Max.1250
WEIGHT(kg)	2.5

THIS DRAWING IS A CONTROLLED DOCUMENT.

DIMENSIONS: mm
 TOLERANCES UNLESS OTHERWISE SPECIFIED:

0	PLC	±
1	PLC	±
2	PLC	±
3	PLC	±
4	PLC ANGLES	±
	FINISH	±



TE Connectivity Ltd.

RPIT INNER CONE PLUG-IN TERMINATION SIZE 3

DWN	WILLIAM XU	NAME	
CHK	JANE WU	APVD	RICK YAO
		PRODUCT SPEC	
		APPLICATION SPEC	
		WEIGHT	
		SIZE	A3
		CAGE CODE	00779
		DRAWING NO	2259670
		SCALE	1:1
		SHEET	1 OF 1
		REV	1
		CUSTOMER DRAWING	