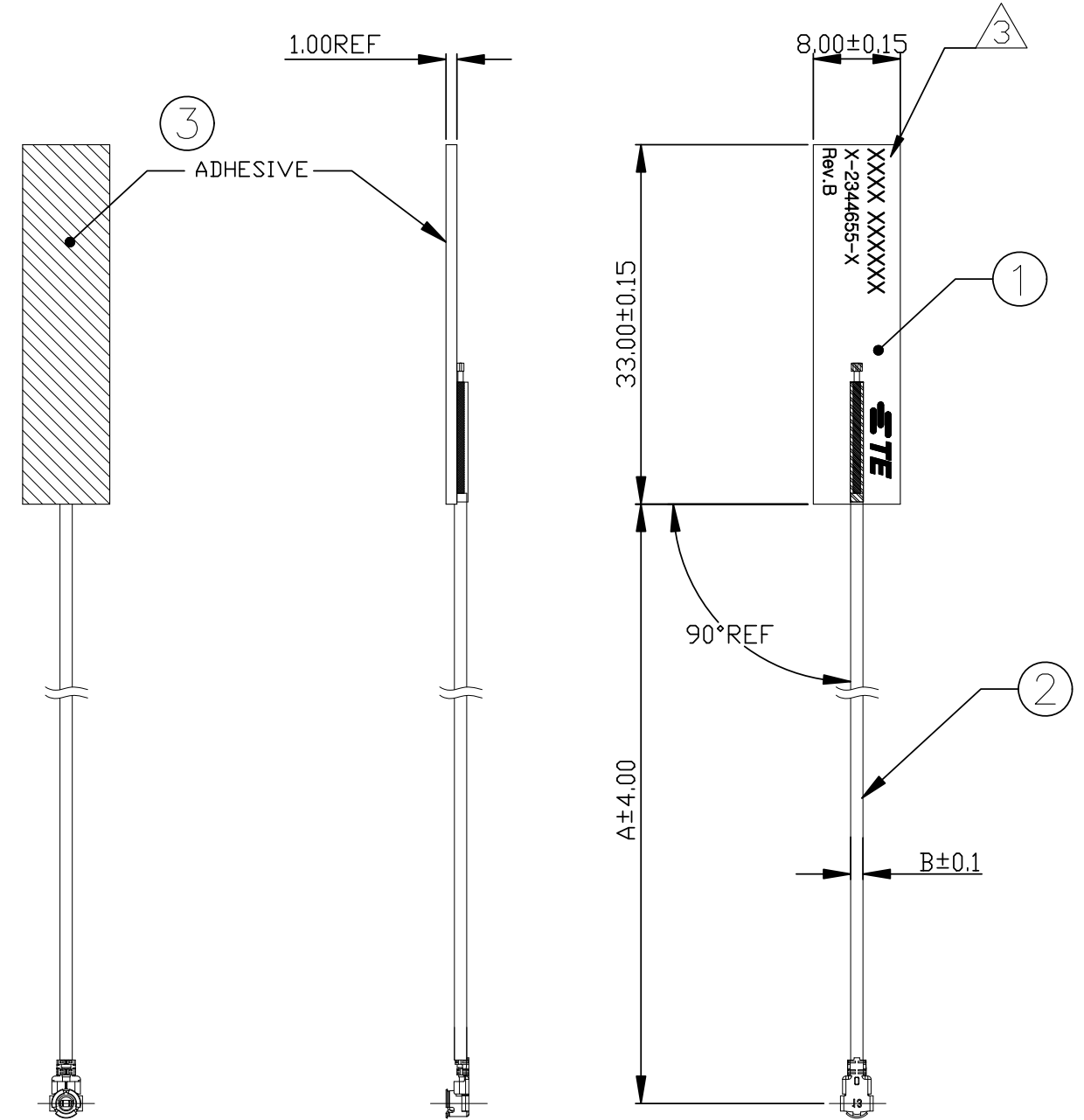


THIS DRAWING IS UNPUBLISHED. RELEASED FOR PUBLICATION
 © COPYRIGHT - TE Connectivity ALL RIGHTS RESERVED.

REVISIONS				
P	LTR	DESCRIPTION	DATE	APVD
D4		REVISED PER ECN-25-301975	14JAN2025	SJ VK



- MATERIALS : REFER TO TABLE.
 - A: ALL MATERIALS, COMPONENTS AND PROCESSES SHALL COMPLY WITH TEC-138-702 (CONTAINS NO BANNED OR RESTRICTED SUBSTANCES)
 B: NO REACH SVHC SHALL BE CONTAINED ABOVE THE THRESHOLD AS DEFINED IN REACH SVHC
 C: LOW HALOGEN: CODE 2(Br<900PPM, Cl<900PPM, Br+Cl<1500PPM PER HOMOGENEOUS MATERIAL) COMPLIANCE DEFINITION IN ANNEX A OF TEC-138-702
- △ IDENTIFICATION INCLUDES : FOUR DIGIT DATE CODE(FIRST 2 DIGITS FOR THE WEEK CODE AND THE 2ND TWO DIGITS FOR THE YEAR CODE), MANUFACTURING CONTROL NUMBER, TE PART NUMBER & REVISION NO.

CONNECTOR TYPE	B	A	PART NUMBER
DIMENSION			
5PLUG(MHF5)	0.81	100	2344655-9
UMCC GEN.4 (MHF4 TYPE)	0.81	200	2344655-8
		150	2344655-7
		100	2344655-6
		50	2344655-5
UMCC GEN.1 (MHF1 TYPE)	1.13	200	2344655-4
		150	2344655-3
		100	2344655-2
		50	2344655-1

DOUBLE-SIDED TAPE	ADHESIVE	3
COAXIAL CABLE & CONN	CABLE ASSY	2
FR-4	PCB ANTENNA	1
MATERIAL	NAME	ITEM NO.

THIS DRAWING IS A CONTROLLED DOCUMENT.

DWN	22OCT2018	PAUL HUNAG
CHK	22OCT2018	AKU HUANG
APVD	22OCT2018	AMOS CHEAH

TE Connectivity

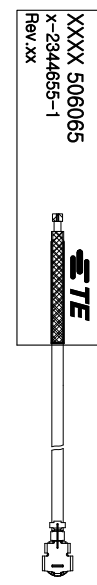
WLAN DUAL BAND ANTENNA PCB H

SIZE	CAGE CODE	DRAWING NO	RESTRICTED TO
A2	00779	C-2344655	-

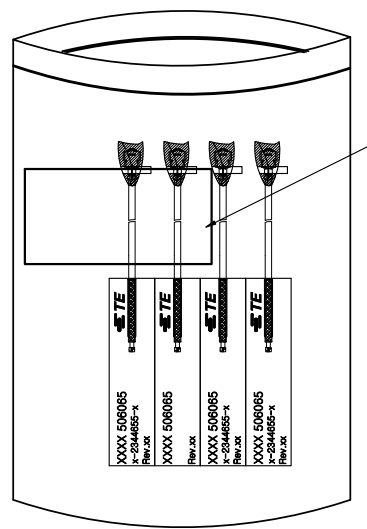
CUSTOMER DRAWING SCALE 1:1 SHEET 1 of 4 REV D4

REVISIONS				
P	LTR	DESCRIPTION	DATE	APVD
-	-	SEE SHEET 1	-	-

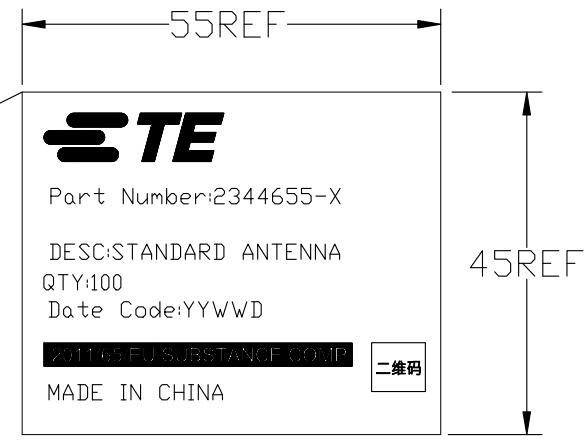
PACKAGING P/Ns : 2344655-1,-2,-3,-4



25PCS/BUNCH

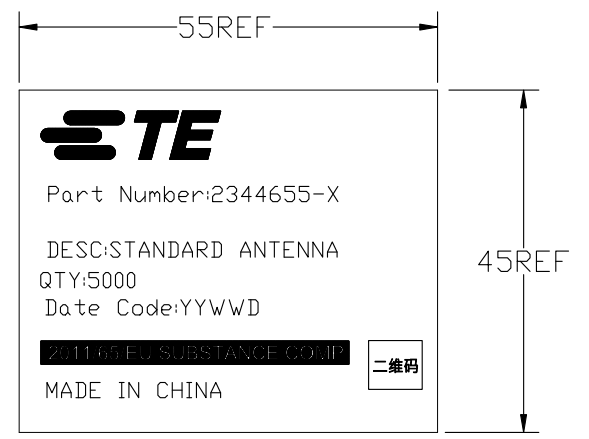


100PCS/BAG
DESICCANT:1PCS/BAG

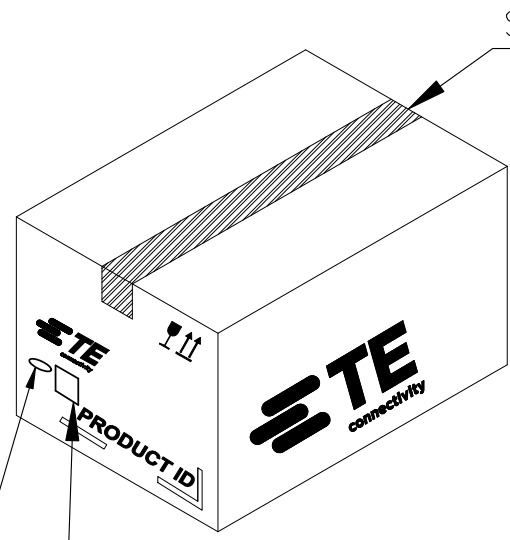
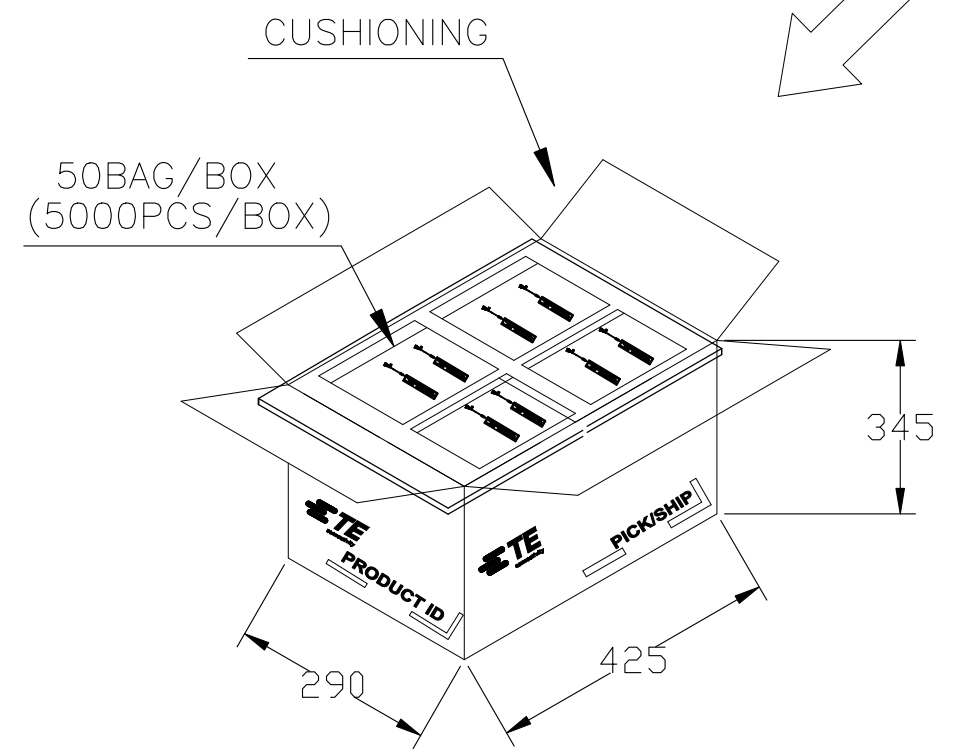


PACKING LABEL

Q' TY	PACKING QUANTITY		
	PCS/BAG	BAG/BOX	PCS/BOX
1	100	50	5000



BOX LABEL

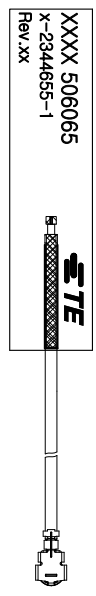


THIS DRAWING IS A CONTROLLED DOCUMENT.		DWN 22OCT2018	STE TE Connectivity	
DIMENSIONS: mm		CHK 22OCT2018		
TOLERANCES UNLESS OTHERWISE SPECIFIED:		APVD 22OCT2018	NAME	
0 PLC ± -		AMOS CHEAH	WLAN DUAL BAND ANTENNA PCB H	
1 PLC ± -		PRODUCT SPEC	-	
2 PLC ± -		APPLICATION SPEC	-	
3 PLC ± -		WEIGHT	SIZE	CAGE CODE
4 PLC ± -		FINISH	A2	00779
ANGLES ± -		CUSTOMER DRAWING	DRAWING NO	RESTRICTED TO
MATERIAL		SCALE	C-2344655	-
		NTS	SHEET	REV
			2 of 4	D4

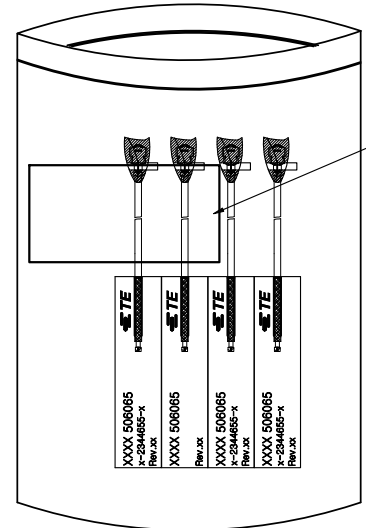
2344655

REVISIONS				
P	LTR	DESCRIPTION	DATE	APVD
-	-	SEE SHEET 1	-	-

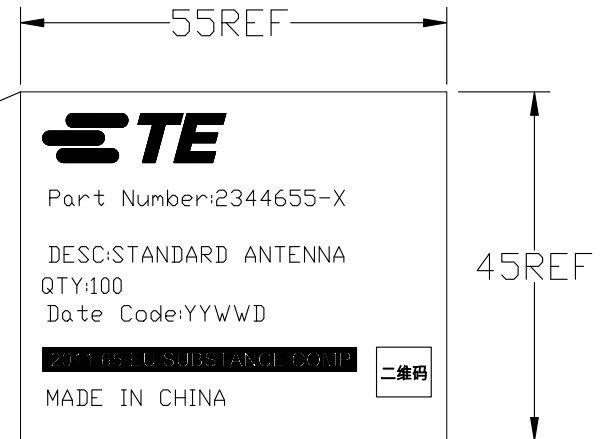
PACKAGING P/Ns : 2344655-5,-6,-7,-8



25PCS/BUNCH

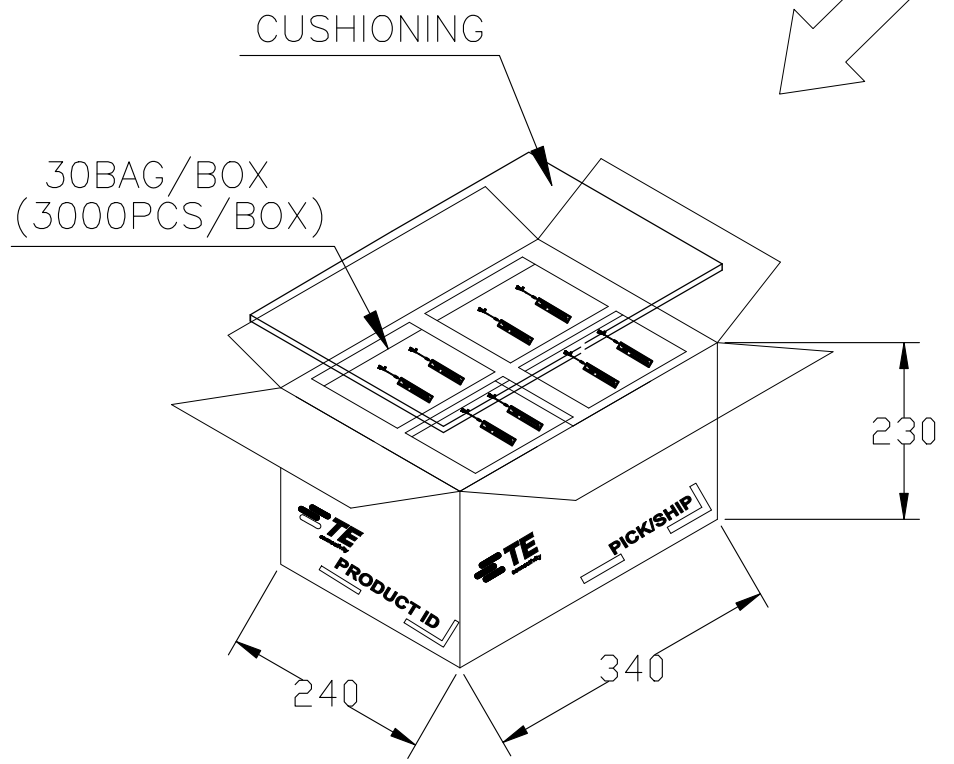


100PCS/BAG
 DESICCANT:1PCS/BAG



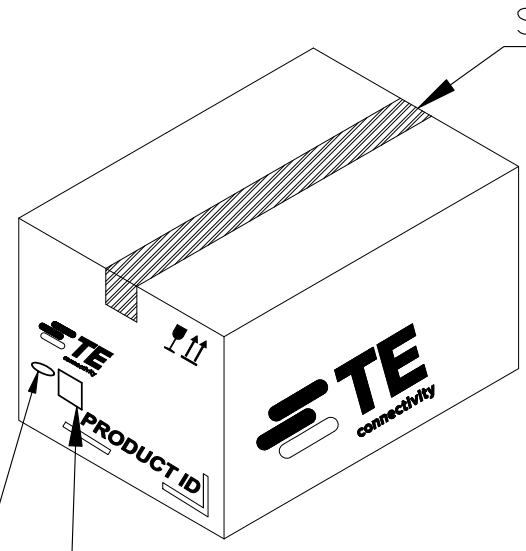
PACKING LABEL

Q' TY	PACKING QUANTITY		
	PCS/BAG	BAG/BOX	PCS/BOX
1	100	30	3000



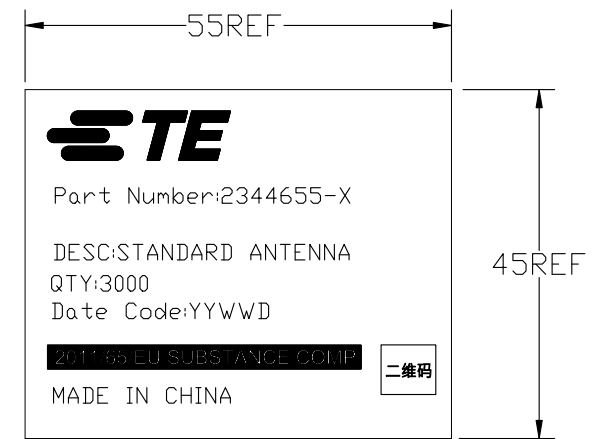
30BAG/BOX
 (3000PCS/BOX)

CUSHIONING



MONTH LABEL

BOX LABEL



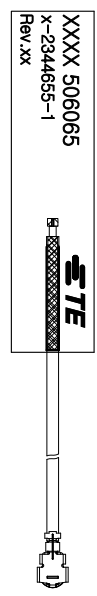
BOX LABEL

THIS DRAWING IS A CONTROLLED DOCUMENT.		DWN 22OCT2018 PAUL HUNAG	TE Connectivity	
DIMENSIONS: mm		CHK 22OCT2018 AKU HUANG		
TOLERANCES UNLESS OTHERWISE SPECIFIED:		APVD 22OCT2018 AMOS CHEAH	NAME WLAN DUAL BAND ANTENNA PCB H	
		PRODUCT SPEC	APPLICATION SPEC	
MATERIAL		WEIGHT	SIZE A2	CAGE CODE 00779
FINISH		FINISH	DRAWING NO C-2344655	RESTRICTED TO
CUSTOMER DRAWING			SCALE 1:1	SHEET 3 of 4
			REV D4	

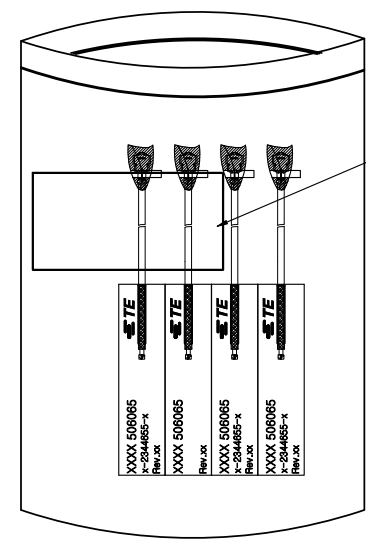
2344655

REVISIONS				
P	LTR	DESCRIPTION	DATE	APVD
-	-	SEE SHEET 1	-	-

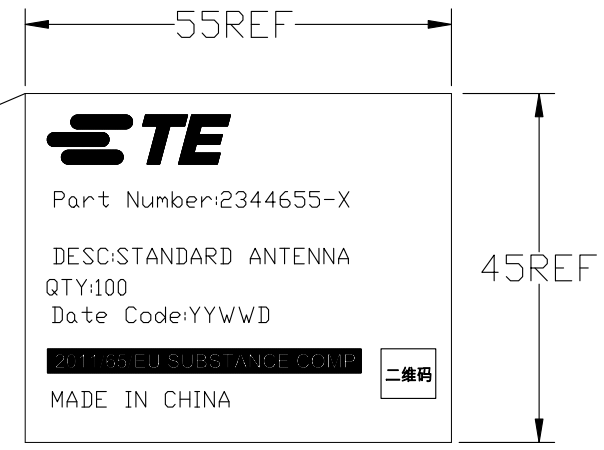
PACKAGING P/Ns : 2344655-9



25PCS/BUNCH

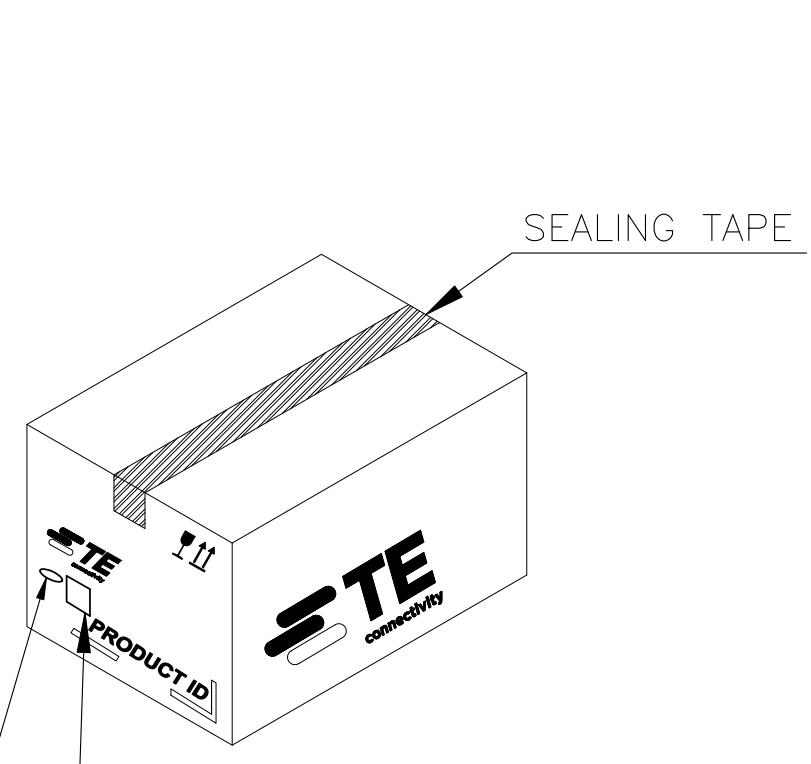
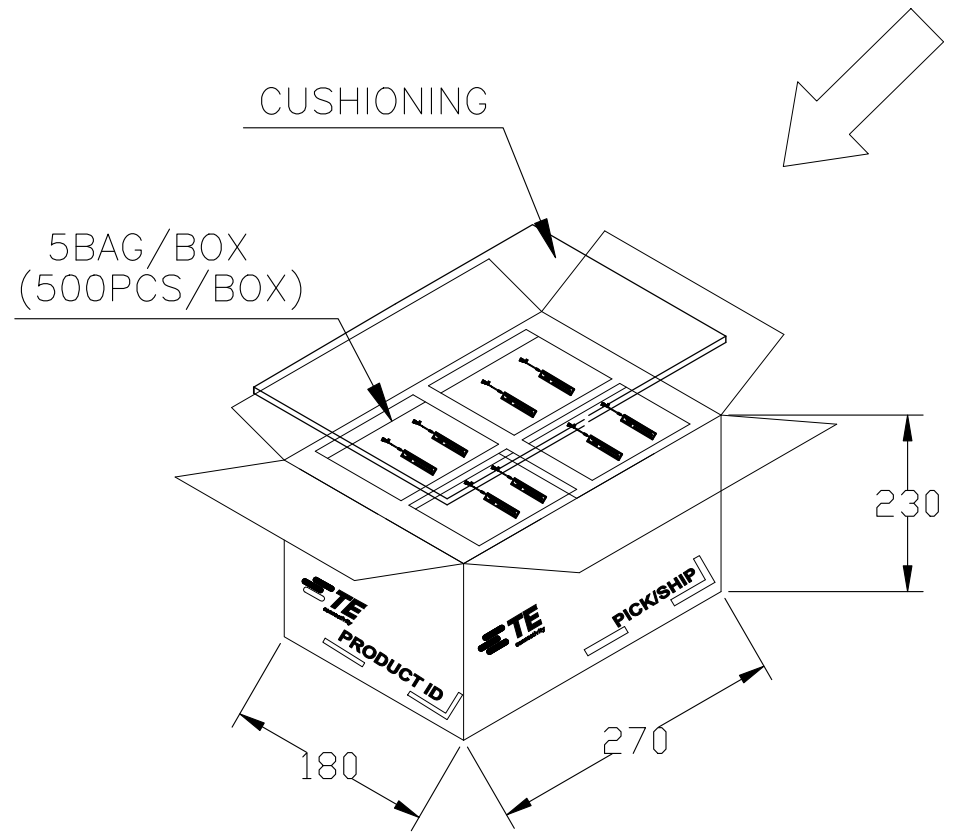


100PCS/BAG
DESICCANT:1PCS/BAG



PACKING LABEL

Q' TY	PACKING QUANTITY		
	PCS/BAG	BAG/BOX	PCS/BOX
1	100	5	500



BOX LABEL

MONTH LABEL

BOX LABEL

THIS DRAWING IS A CONTROLLED DOCUMENT.		DWN 22OCT2018	TE TE Connectivity	
		CHK 22OCT2018		
DIMENSIONS: mm		APVD 22OCT2018	NAME	
TOLERANCES UNLESS OTHERWISE SPECIFIED:		PRODUCT SPEC	WLAN DUAL BAND ANTENNA PCB H	
0 PLC ± -		APPLICATION SPEC	-	
1 PLC ± -			-	
2 PLC ± -			-	
3 PLC ± -			-	
4 PLC ± -			-	
ANGLES ± -		WEIGHT	SIZE	CAGE CODE
MATERIAL			A2	00779
FINISH			DRAWING NO	
			C-2344655	
		CUSTOMER DRAWING		RESTRICTED TO
		SCALE 1:1	SHEET 4 of 4	REV D4

2344655