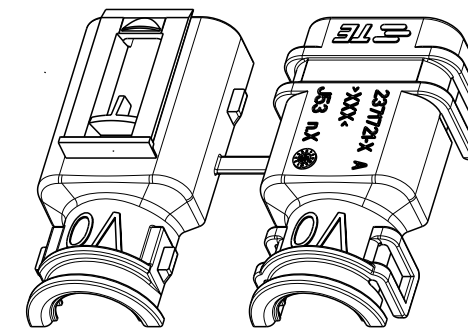
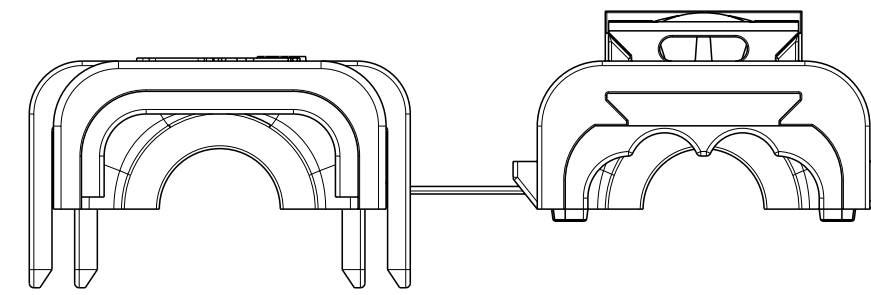
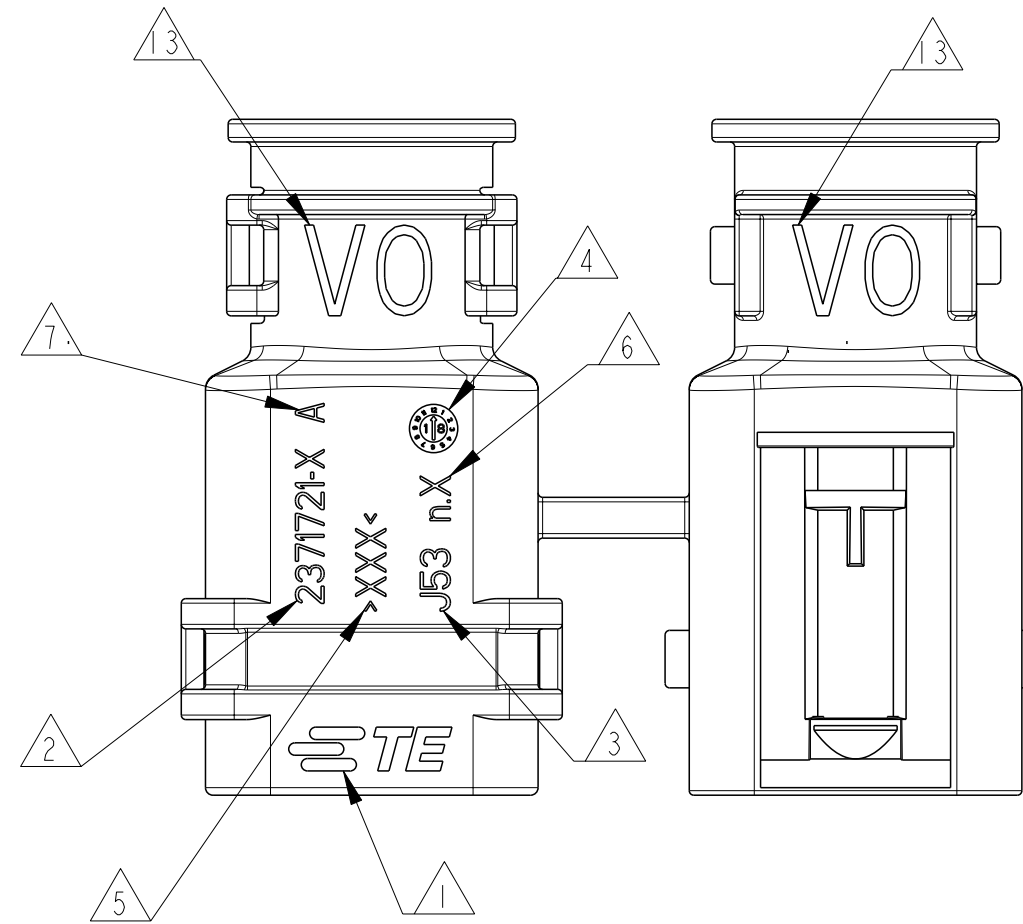
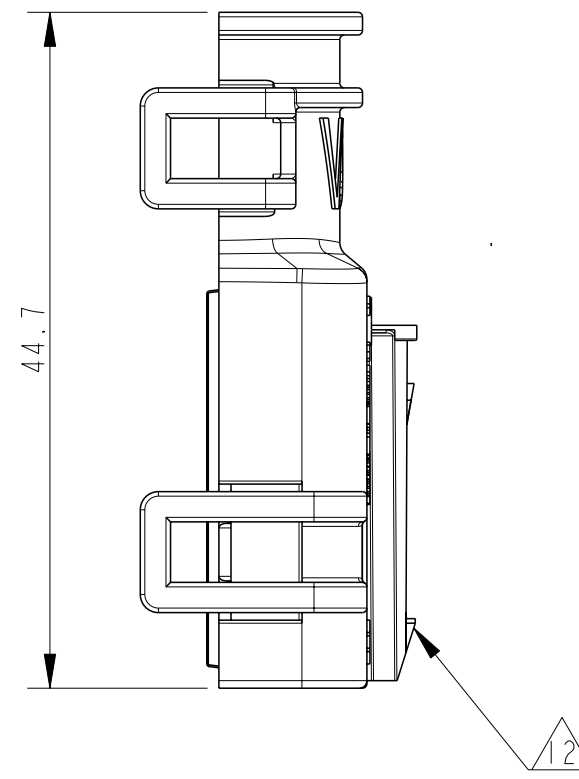
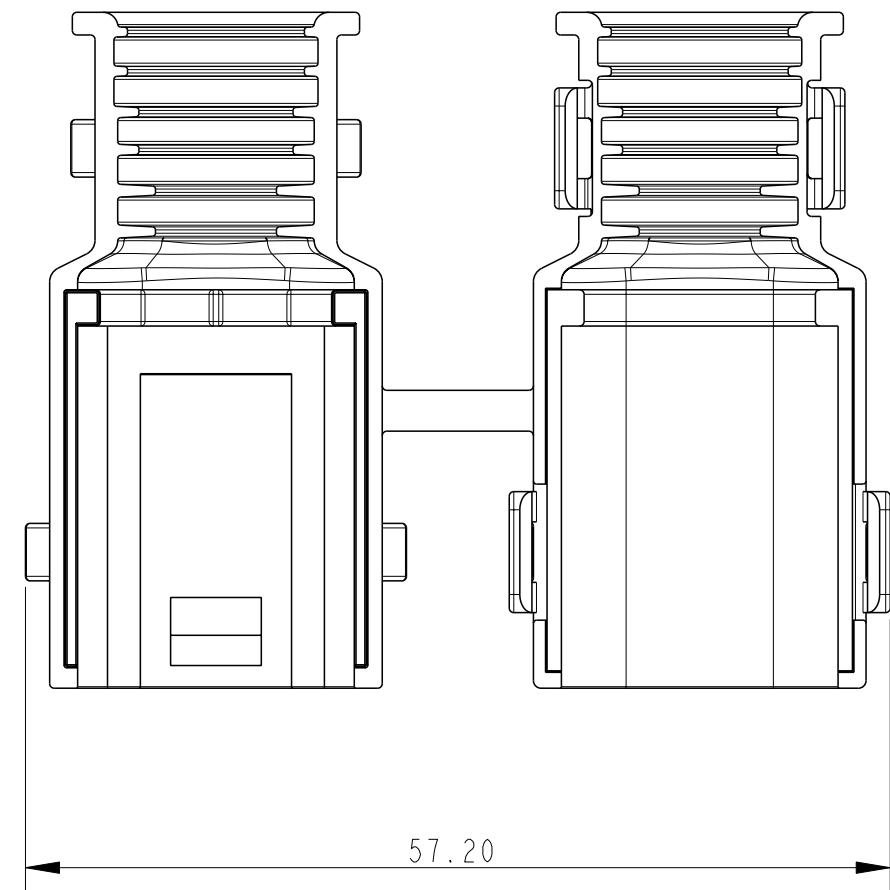


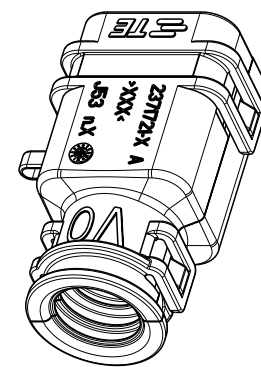
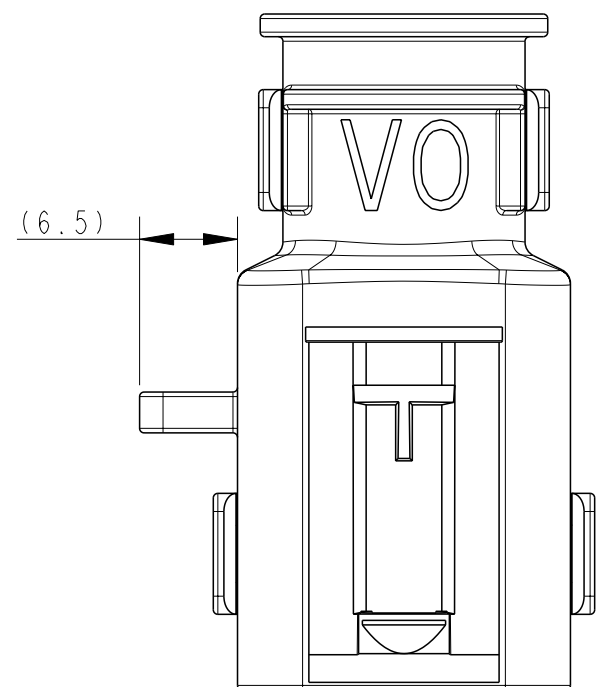
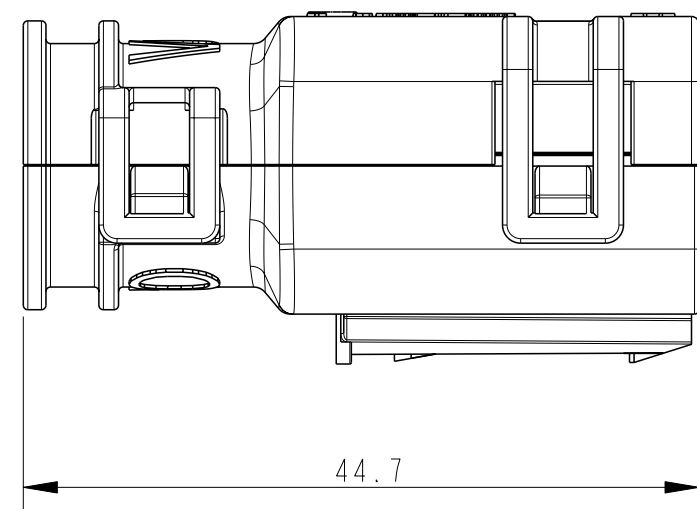
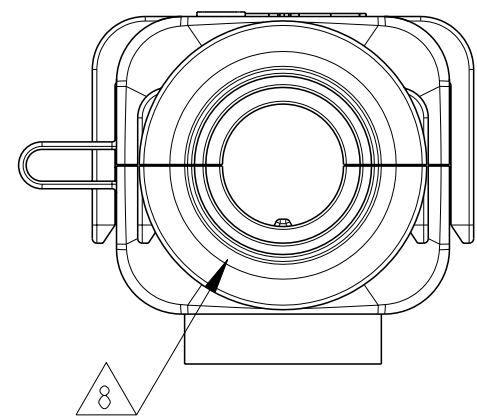
DELIVERY CONDITION AS SHOWN



SCALE 1:1



CLOSED(MOUNTED) CONDITION AS SHOWN



SCALE 1:1

REVISIONS

P	LTR	DESCRIPTION	DATE	DWN	APVD
A		INITIAL RELEASE	26APR2020	N.S	I.Y
AI		ECR-20-009371	01JUL2020	N.S	I.Y

NOTES:

- 1. TE LEGO
- 2. TE PART NO.
- 3. MANUFACTURING LOCATION.
- 4. DATE CODE.
- 5. MATERIAL MARKING
- 6. MOULD CAVITY MARKING
- 7. PART REVISION
- 8. FOR CORRUGATED TUBE: NW6/7.5/8.5/10.
- 9. P/N:2371721 USED ON SSP REC 4P P/N:2356631 AND DT04-4P-XXXX NO CAP VERSION
- 10. BULK PACKAGING IN CORRUGATED BOX
- 11. BASED ON THE HINGE MECHANISM, THE DELIVERY CONDITION CAN BE DIFFERENT TO THE SHOWN STATUS.
- 12. SWALLOW TAIL FOR DIVERSE BRACKETS AND ATTACHMENT CLIPS
- 13. VO MARK. ONLY SHOWS ON PN.2371721-2

TE P/N	REV	COLOR	MATERIAL	DESCRIPTION	ITEM
2371721-2	A	BLACK	PA66	180DEG TAB HSG BACKSHELL FOR SUPERSEAL PRO 4P(V0 TYPE)	2
2371721-1	A	BLACK	PA6	180DEG TAB HSG BACKSHELL FOR SUPERSEAL PRO 4P(HB TYPE)	1

THIS DRAWING IS A CONTROLLED DOCUMENT.		DWN N. SONG 23APR2020	TE Connectivity		
DIMENSIONS: mm		CHK E. JIANG 23APR2020			
TOLERANCES UNLESS OTHERWISE SPECIFIED:		APVD I. YIN 23APR2020	NAME TAB HSG BACKSHELL, 4POS, SSP, 180DEG		
0 PLC ±0.5		PRODUCT SPEC	SIZE		
1 PLC ±0.3		APPLICATION SPEC	CAGE CODE		
2 PLC ±		WEIGHT	DRAWING NO		
3 PLC ±		CUSTOMER DRAWING	RESTRICTED TO		
4 PLC ±		SCALE 2:1	SHEET 1 OF 1		
ANGLES ±			REV AI		
FINISH -					