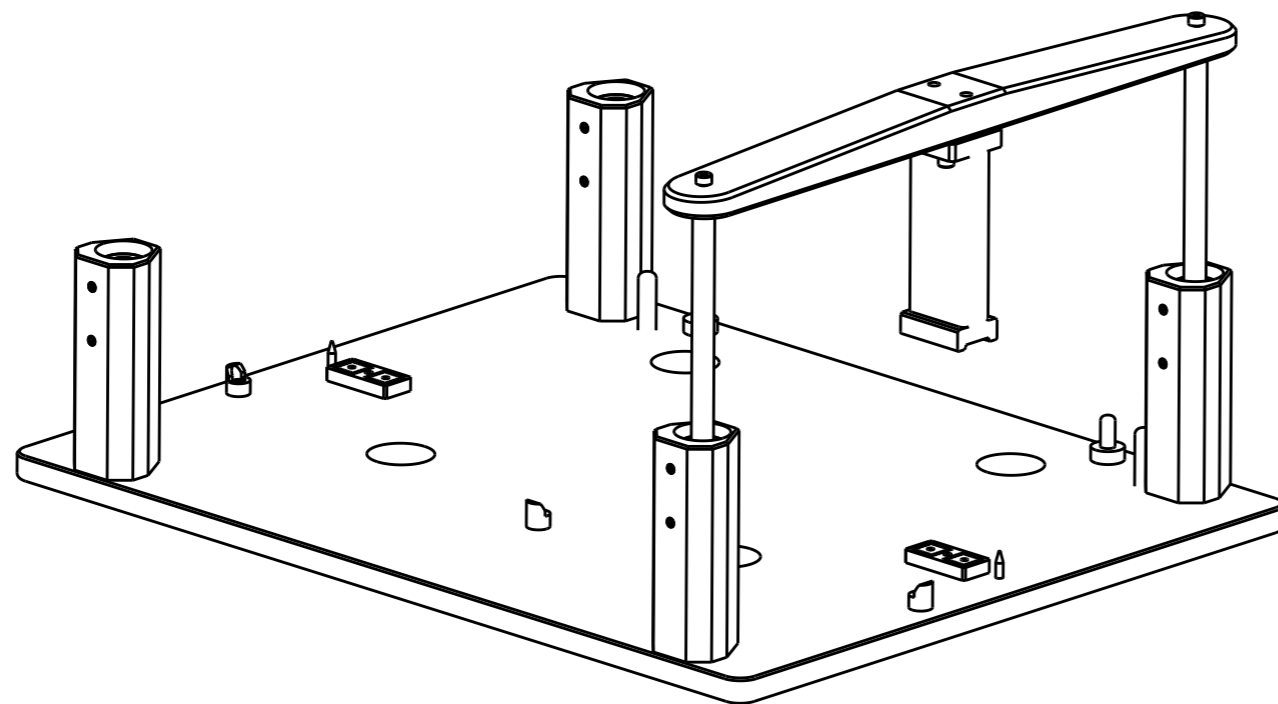


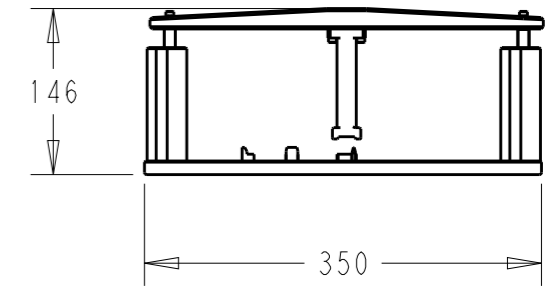
© 2020 TE Connectivity. All Rights Reserved.

PART NUMBER	REV	FIRST USED
2377235-1	A	2372674-1

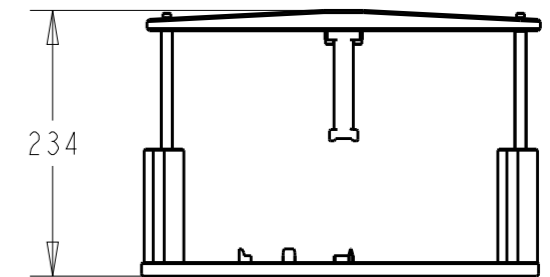
REVISIONS					
P	LTR	DESCRIPTION	DATE	DWN	APVD
	A	INITIAL RELEASE	17JUL2020	DC	JM



PRESSURE IN



PULL OUT



THIS DRAWING IS A CONTROLLED DOCUMENT.		DWN D. CHEN 17JUL2020			
		CHK C. ZHU 17JUL2020			
		APVD J. MARTINELLI 17JUL2020	NAME ASSY, INSERTION TOOL		
DIMENSIONS: mm		PRODUCT SPEC -	RESTRICTED TO		
TOLERANCES UNLESS OTHERWISE SPECIFIED:		APPLICATION SPEC -	SIZE A3	CAGE CODE 00779	DRAWING NO C-2377235
MATERIAL -		WEIGHT -	SCALE 3:20		
		CUSTOMER DRAWING	SHEET 1 OF 1		REV A
DIMENSIONS: mm 		TOLERANCES UNLESS OTHERWISE SPECIFIED: 0 PLC ±- 1 PLC ±- 2 PLC ±- 3 PLC ±- 4 PLC ±- ANGLES ±-			