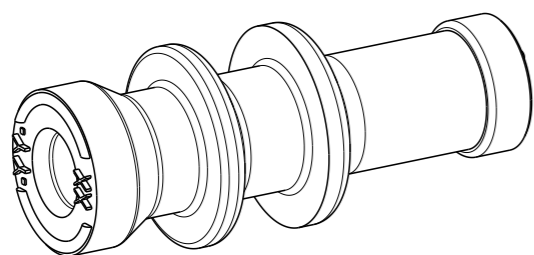
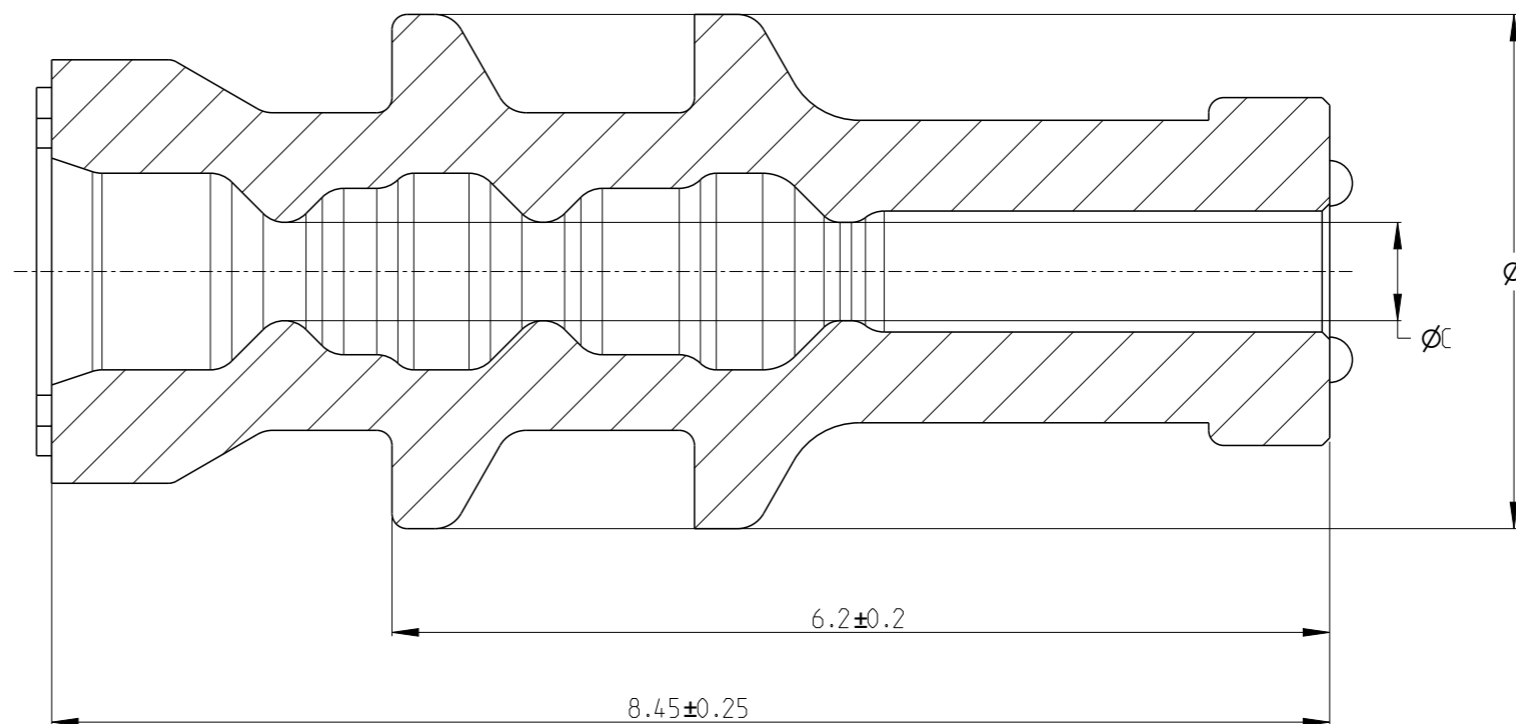
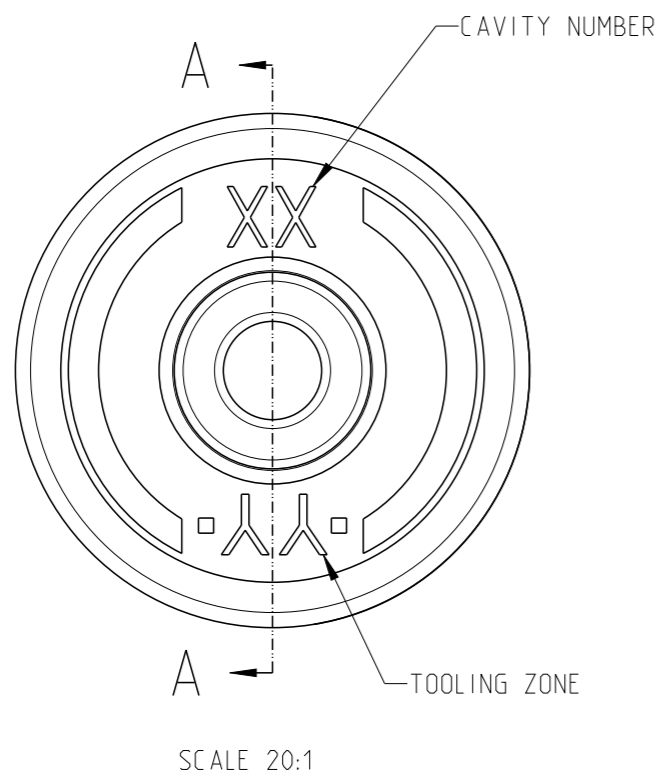
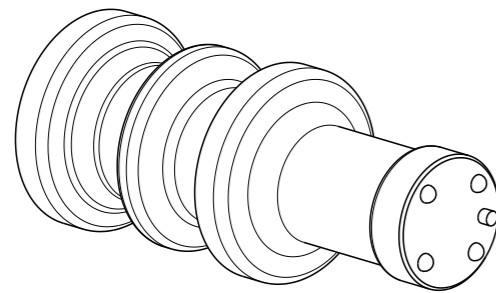
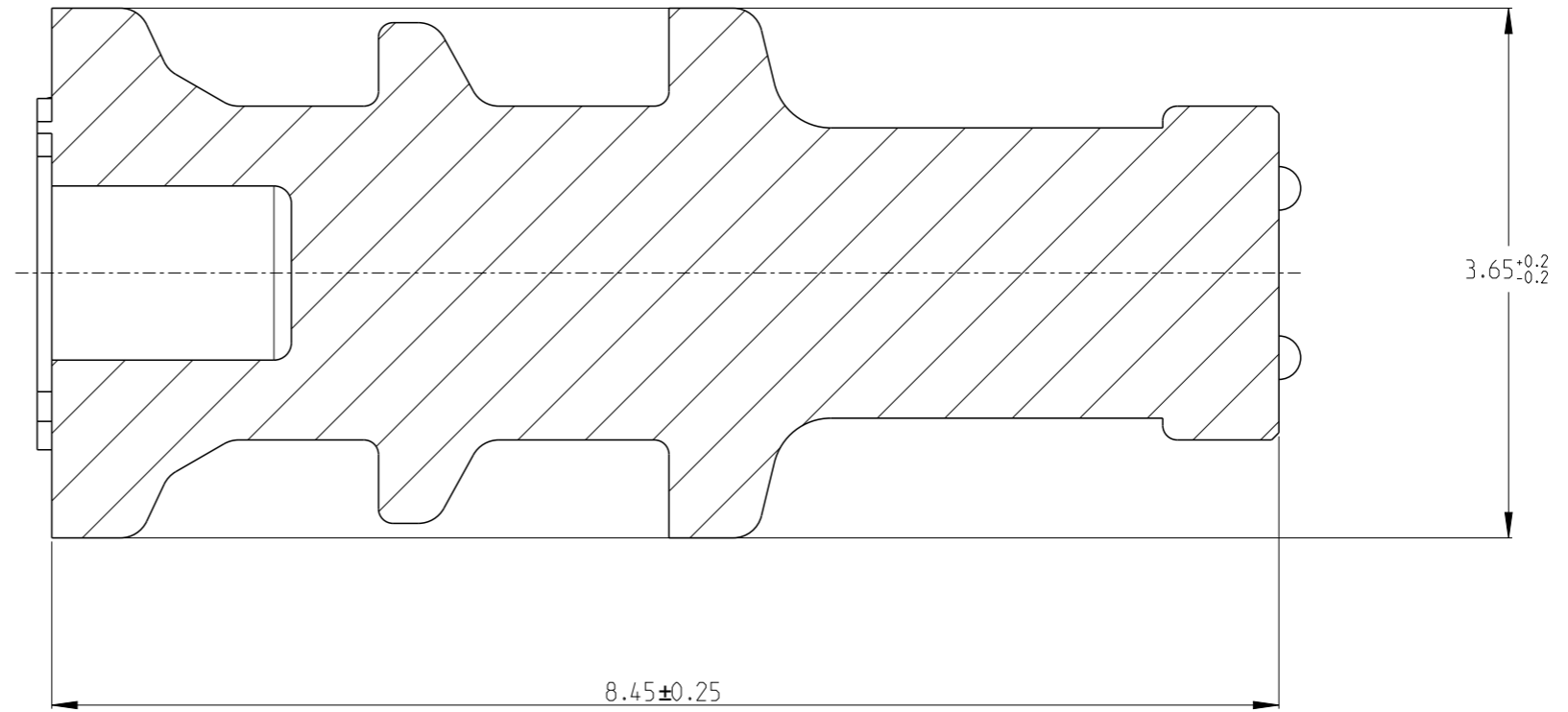
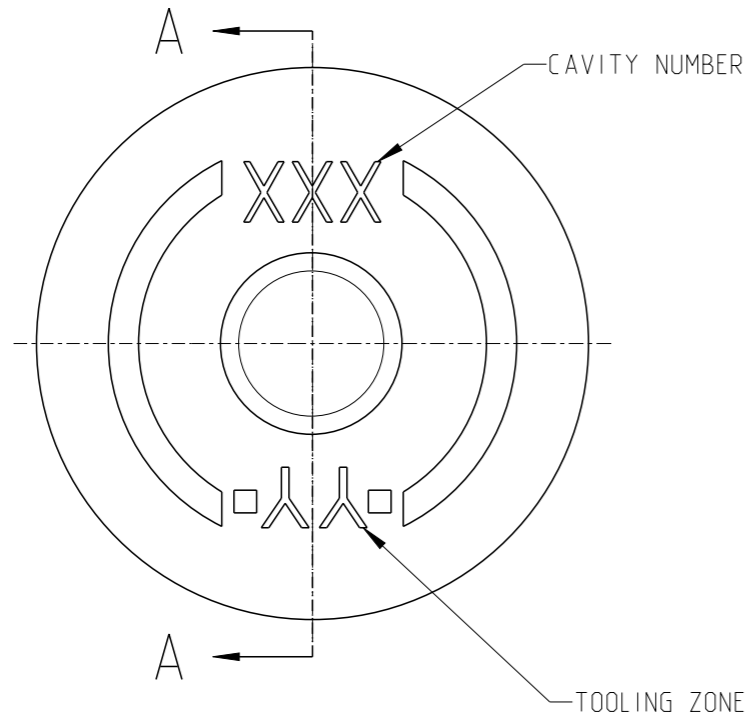


P	LTR	DESCRIPTION	DATE	DWN	APVD
A		INITIAL	02NOV2021	A.D	J.Z
B		ECR 20220128003	28JAN2022	A.D	J.Z
C		ECN-22-173631	13SEP2022	A.D	J.Z
C1		ECN-23-242418	06DEC2023	Y.L	J.Z



0.35mm ²	1.2mm-1.4mm	2377023-1; 2387544-1	2377665-5	0.65±0.15	3.4+0.2/-0.15	VMQ	GREEN
0.5mm ²	1.4mm-1.6mm	2377023-2; 2387544-2	2377665-4	0.75±0.15	3.4+0.2/-0.15		BLUE
WIRE SIZE	DIA OF INSULATION	APPLICATION CONTACT	P/N OF SWS	ØC	ØA	MATERIAL	COLOR
THIS DRAWING IS A CONTROLLED DOCUMENT.				DWN A.DANG	02NOV2021		
				CHK J.ZONG	02NOV2021		
				APVD J.ZONG	02NOV2021		
				PRODUCT SPEC			
DIMENSIONS: mm		TOLERANCES UNLESS OTHERWISE SPECIFIED:		NAME SWS, 2.6 AND 3.0MM ELLIPSE CAVITY			
		0 PLC ±		APPLICATION SPEC			
		1 PLC ±0.1					
		2 PLC ±0.01		SIZE A3			
		3 PLC ±0.001					
		4 PLC ±0.0001		CAGE CODE 00779			
		ANGLES ±					
MATERIAL SEE TABLE		FINISH		DRAWING NO C-2377665			
				RESTRICTED TO			
				WEIGHT			
				CUSTOMER DRAWING			
				SCALE 8:1			
				SHEET 1 OF 2			
				REV C1			

P	LTR	DESCRIPTION	DATE	DWN	APVD
-		SEE SHEET 1	-	-	-



CI	P/N OF SWS	MATERIAL	COLOR
	1-2377665-3	VMQ WITH OIL	BLUE
	2377665-3	VMQ	RED

THIS DRAWING IS A CONTROLLED DOCUMENT.		DWN A.DANG	02NOV2021														
DIMENSIONS: mm		CHK J.ZONG	02NOV2021														
TOLERANCES UNLESS OTHERWISE SPECIFIED:		APVD J.ZONG	02NOV2021	NAME SWS, 2.6 AND 3.0MM ELLIPSE CAVITY													
<table border="1"> <tr> <td>0 PLC</td> <td>±</td> </tr> <tr> <td>1 PLC</td> <td>±0.1</td> </tr> <tr> <td>2 PLC</td> <td>±0.01</td> </tr> <tr> <td>3 PLC</td> <td>±0.001</td> </tr> <tr> <td>4 PLC</td> <td>±0.0001</td> </tr> <tr> <td>ANGLES</td> <td>±</td> </tr> </table>		0 PLC	±	1 PLC	±0.1	2 PLC	±0.01	3 PLC	±0.001	4 PLC	±0.0001	ANGLES	±	PRODUCT SPEC	-		
0 PLC	±																
1 PLC	±0.1																
2 PLC	±0.01																
3 PLC	±0.001																
4 PLC	±0.0001																
ANGLES	±																
MATERIAL SEE TABLE		APPLICATION SPEC	-														
FINISH		WEIGHT	-														
-		CUSTOMER DRAWING		SIZE A3	CAGE CODE 00779												
-		SCALE 8:1		DRAWING NO C-2377665	RESTRICTED TO -												
-		SHEET 2 OF 2		REV C1													