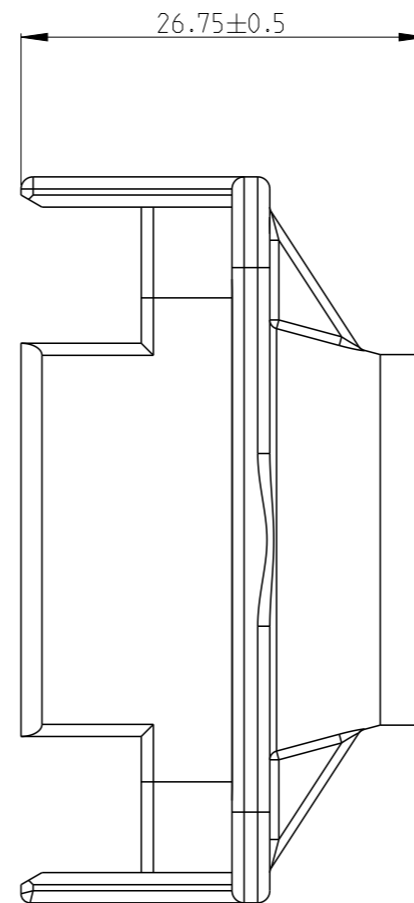
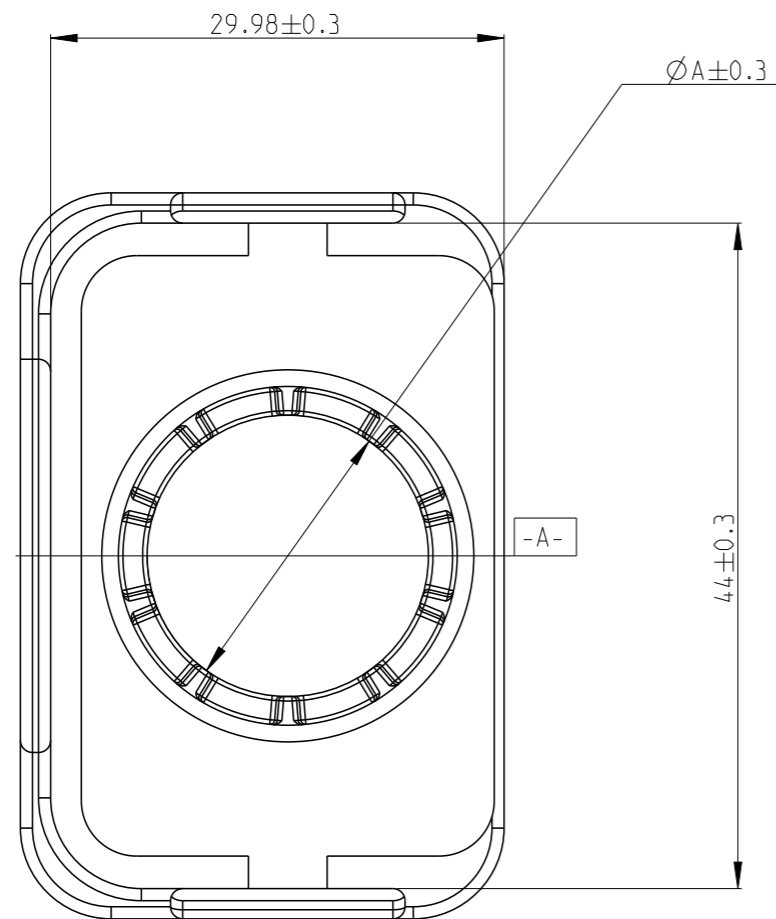
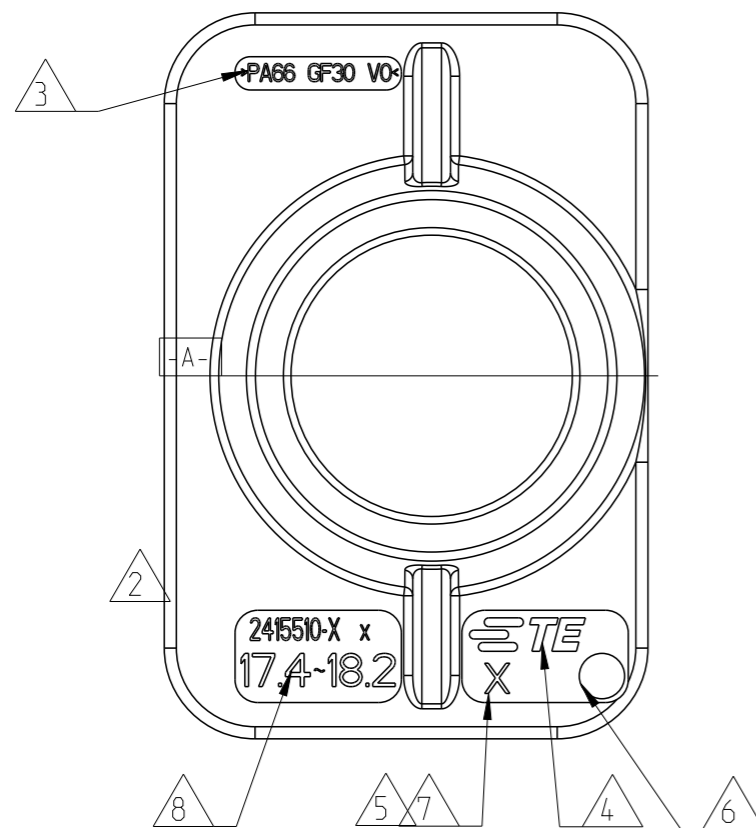


P	LTR	DESCRIPTION	DATE	DWN	APVD
	A	INITIAL RELEASED	17SEP2022	W.Z	E.J
	A1	ADD PART	10MAY2023	W.Z	E.J



- 1. MATERIAL:PA66 GF30 V0, ORANGE
- 2. TE PART NUMBER MARKING
- 3. MATERIAL MARKING
- 4. TE LOGO MARKING
- 5. CAVITY MARKING
- 6. MANUFACTURE DATE MARKING
- 7. PART VISION MARKING
- 8. CABLE SIZE MARKING ACCRODING TO TABLE
- 9. PART FOR CABLE SIZE 50mm² OD 15.2~15.8mm
- 10. PART FOR CABLE SIZE 70mm² OD 17.4~18.2mm
- 11. PART FOR CABLE SIZE 95mm² OD 20.1~20.9mm
- 12. PART FOR CABLE SIZE 50mm² OD 14.6~15.2mm



TE PN	DIM A	FOR CABLE SIZE
1-2415510-1	15.6	12
2415510-3	21.3	11
2415510-2	18.6	10
2415510-1	16.2	9

THIS DRAWING IS A CONTROLLED DOCUMENT.		DWN W.ZHAO 16SEP2022	TE Connectivity	
DIMENSIONS: mm		CHK F.MA 17SEP2022		
TOLERANCES UNLESS OTHERWISE SPECIFIED:		APVD F.JIANG 17SEP2022	NAME CSJ2100 PLUG COVER	
0 PLC ± 1 PLC ±0.5 2 PLC ±0.13 3 PLC ±0.013 4 PLC ±0.0001 ANGLES ±		PRODUCT SPEC 108-160466	RESTRICTED TO	
MATERIAL		APPLICATION SPEC 114-160266	SIZE A3	CAGE CODE 00779
FINISH		WEIGHT -	DRAWING NO C=2415510	SCALE 1:1
CUSTOMER DRAWING			SHEET 1 OF 1	REV A1