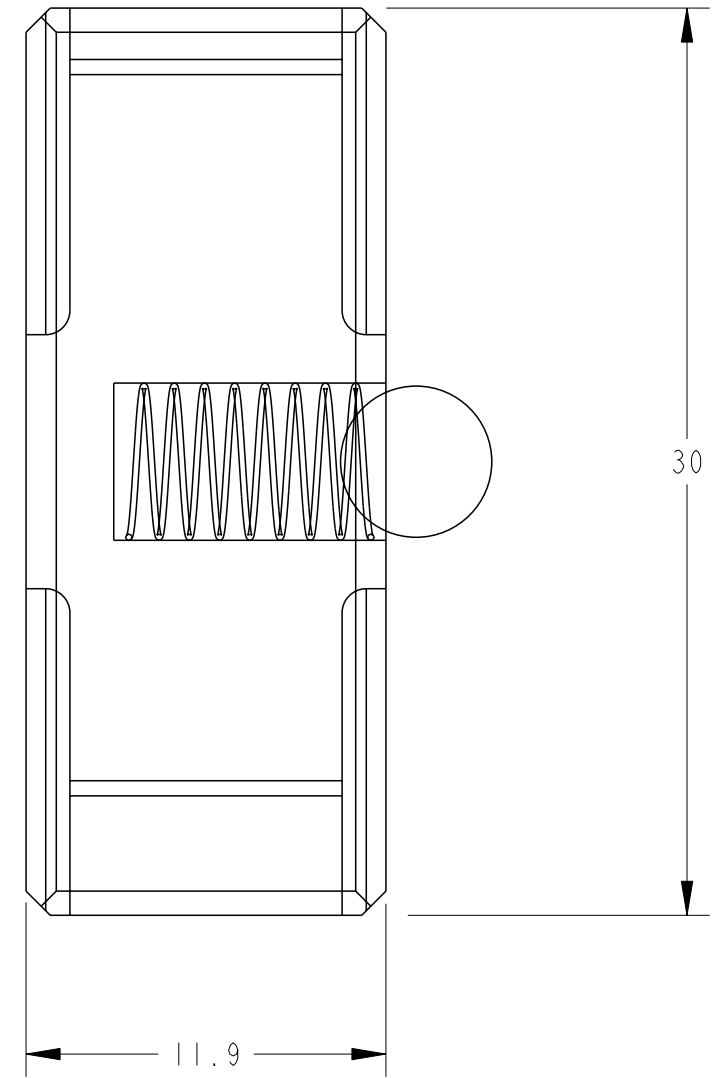
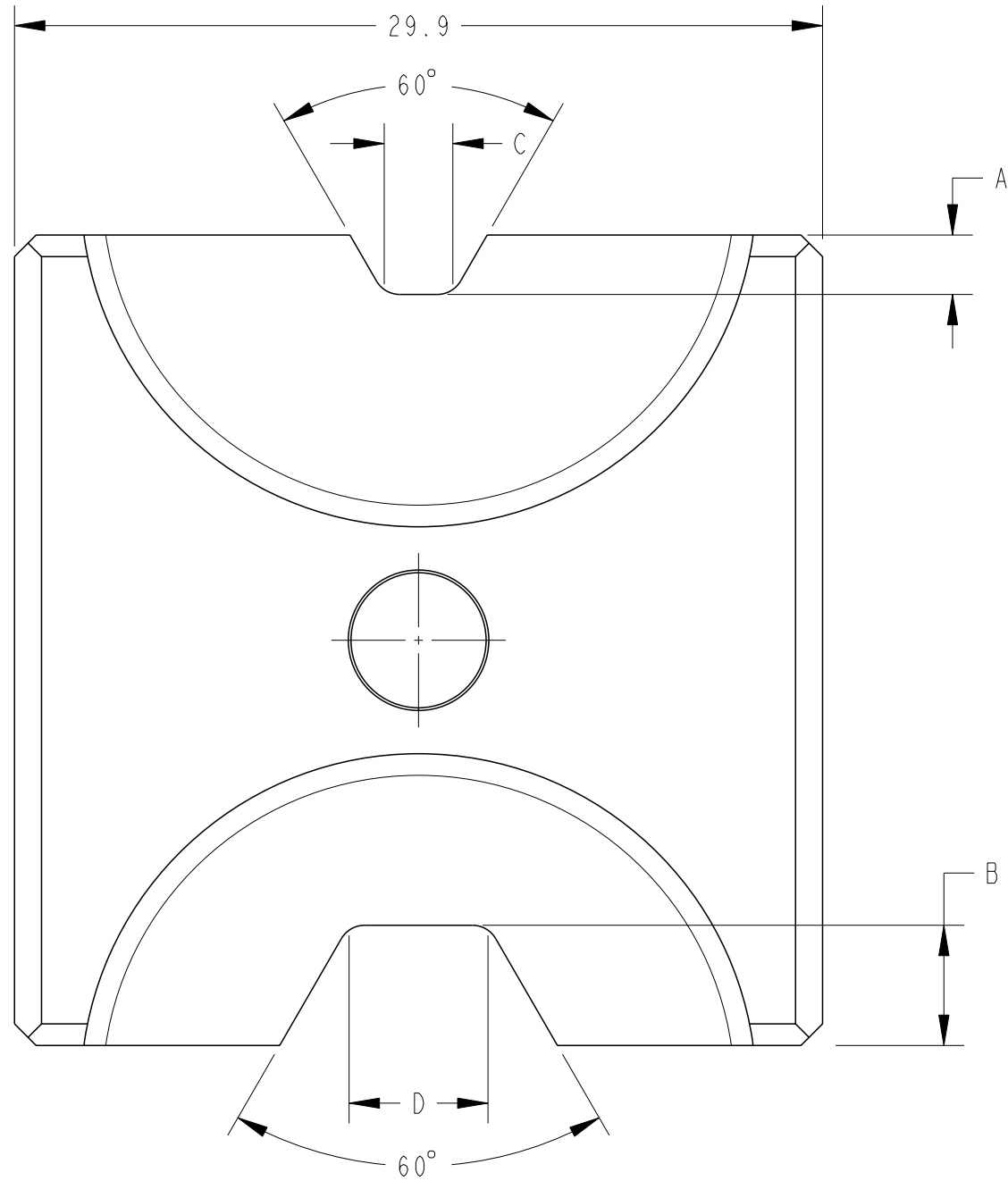


P	LTR	DESCRIPTION	DATE	DWN	APVD
	A	NEW DRAWING	09MAR2020	NB	JL



5.14	2.54	4.45	2.2	4 E 35 2X5-6 CU	708803-1
9.24	2.31	8.0	2.0	4 E 120-4 CU	708802-1
8.08	4.45	7.0	3.85	4 E 95-25 CU	708801-1
N/A	6.06	5.25	N/A	4 E 60 CU	708800-1
6.93	3.81	6.0	3.3	4 E 70-16 CU	708799-1
5.77	3.35	5.0	2.9	4 E 50-10 CU	708798-1
5.14	2.54	4.45	2.2	4 E 35-6 CU	708797-1
D	C	B	A	DESCRIPTION	PART NUMBER

NOTES

1. TOLERANCES ACCORDING TO ISO-2769-mk.
2. CRIMPING DIE ASSEMBLY IS MADE OF 2 DIES.

THIS DRAWING IS A CONTROLLED DOCUMENT.		DWN N BASAVARAJ 09MAR2020			
DIMENSIONS: mm		CHK BENOIT MILLOT 09MAR2020			
		APVD JONATHAN LARDEAU 09MAR2020	NAME 4E....CU		
TOLERANCES UNLESS OTHERWISE SPECIFIED: 0 PLC ±0 1 PLC ±0 2 PLC ±0 3 PLC ±0 4 PLC ±0 ANGLES ±°		PRODUCT SPEC -	RESTRICTED TO -		
MATERIAL PROTECTED STEEL		APPLICATION SPEC -	SIZE A3	CAGE CODE 00779	DRAWING NO G-708797
FINISH -		WEIGHT -	SCALE 4:1		SHEET 1 OF 1
CUSTOMER DRAWING			REV A		