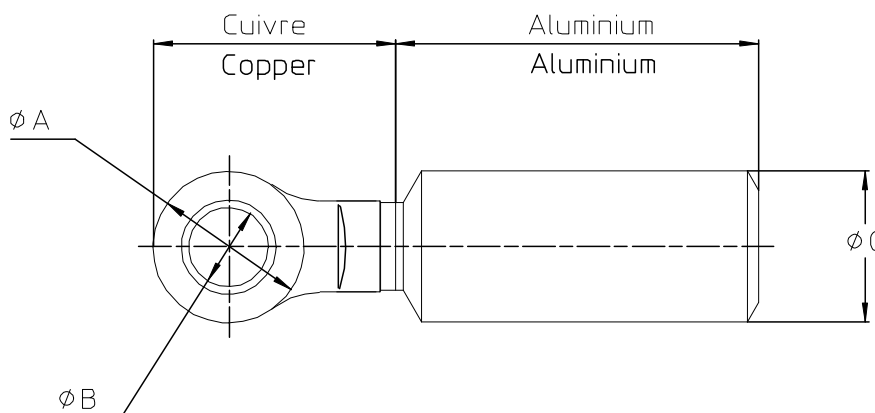
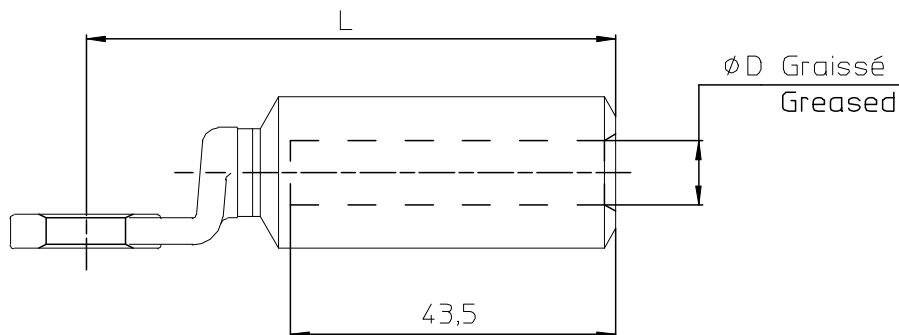


LOC FH	DIST 2	REVISIONS				
P	LTR REV	DESCRIPTION MODIFICATIONS	DATE	DWN DESS.	APVD APP.	
	0	Creation	24-Jul-98	CA	JT	

MARQUAGE/MARKING

Reference/logo/date / DIE



PN	REFERENCE	SECTION mm2	DIMENSIONS					
			ØA	ØB	ØC	ØD	L	DIE
719929-1	XCX 16 COAU 16	16	20	10,5	16	5,5	72	MC-0E 0E
719930-1	XCX 25 COAU 25	25				6,5		
719924-1	XCX 35 COAU 35	35	25	12,8		20	8	
719923-1	XCX 50 C1AU 50	50			9			
719922-1	XCX 70 C1AU 70	70			11			
719921-1	XCX 95 C1AU 95	95			12,5			

RELEASED FOR PUBLICATION

THIS DRAWING IS UNPUBLISHED.  
DIFFUSION RESENTE AMP

BY AMP INCORPORATED. ALL RIGHTS RESERVED. TOUS DROITS RESERVES.

© COPYRIGHT 19

DIMENSIONS: mm	DWN /DESSINE ANDRE	24-Jul-98	MATERIAL MATIERE	-	FINISH FINITION	-		
	CHK /VERIFIE JEITZ	-	<b>AMP SIMEL</b> 21220 Gevrey Chambertin FRANCE					
TOLERANCES UNLESS OTHERWISE SPECIFIED PER TOLERANCES NON SPECIFIEES SELON :	APVD /APPROUVE THIARD	-					NAME TITRE	XCX .. COAU / C1AU ..
	PRODUCT SPEC SPEC. PRODUIT	-	SIZE FORMAT	A4	CAGE CODE	00779		
	APPLICATION SPEC SPEC. APPLICATION	C-33090-1	DRAWING NO No PLAN	© 719929				
WEIGHT MASSE APPROX.	-	CUSTOMER DWG / PLAN CLIENT	UNIQUEMENT POUR REFERENCE	SCALE ECHELLE	-	SHEET FEUILLE	1 OF 1 DE 1	REV 0