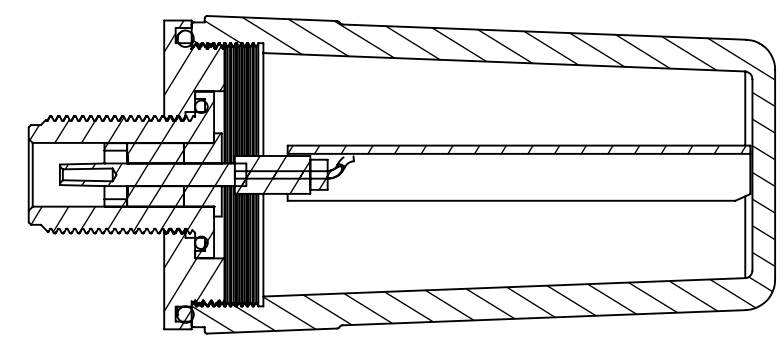
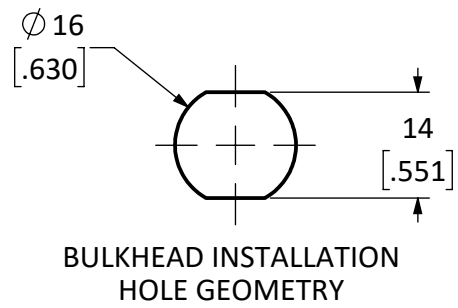
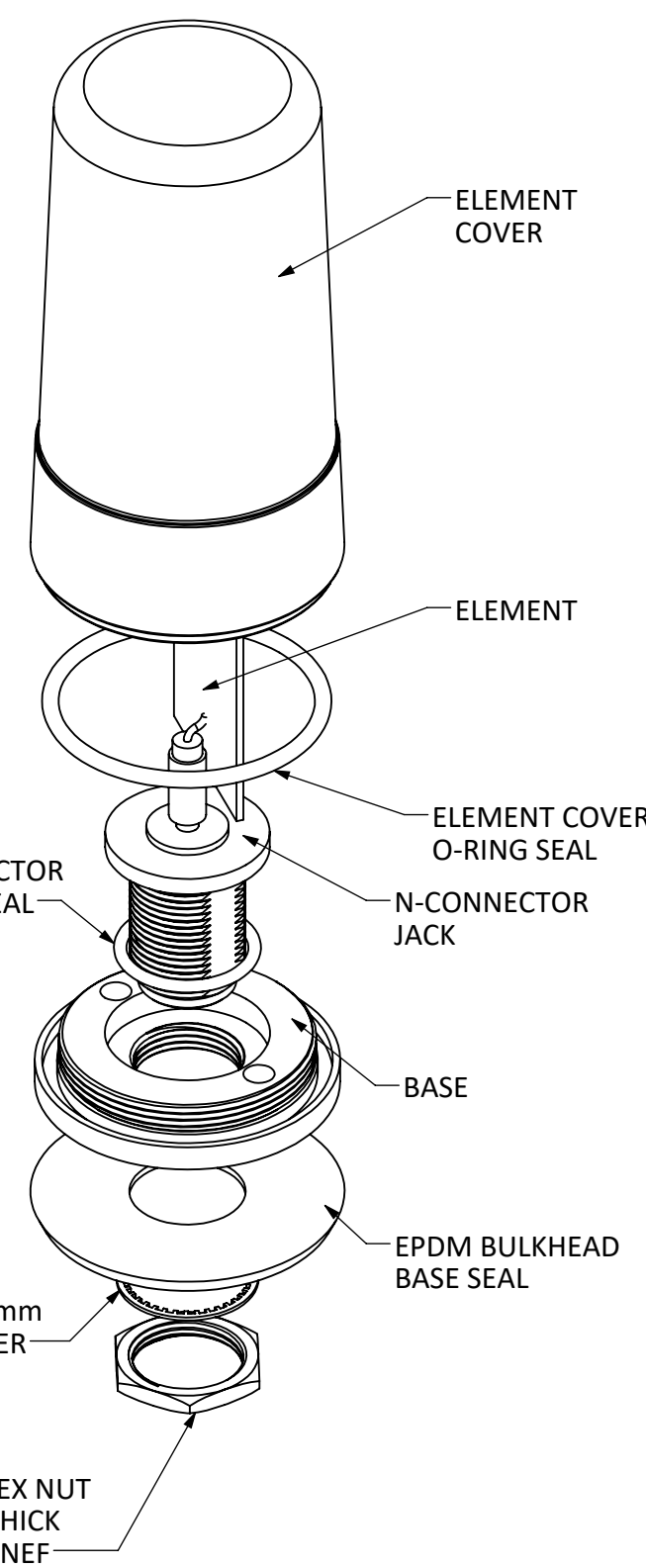
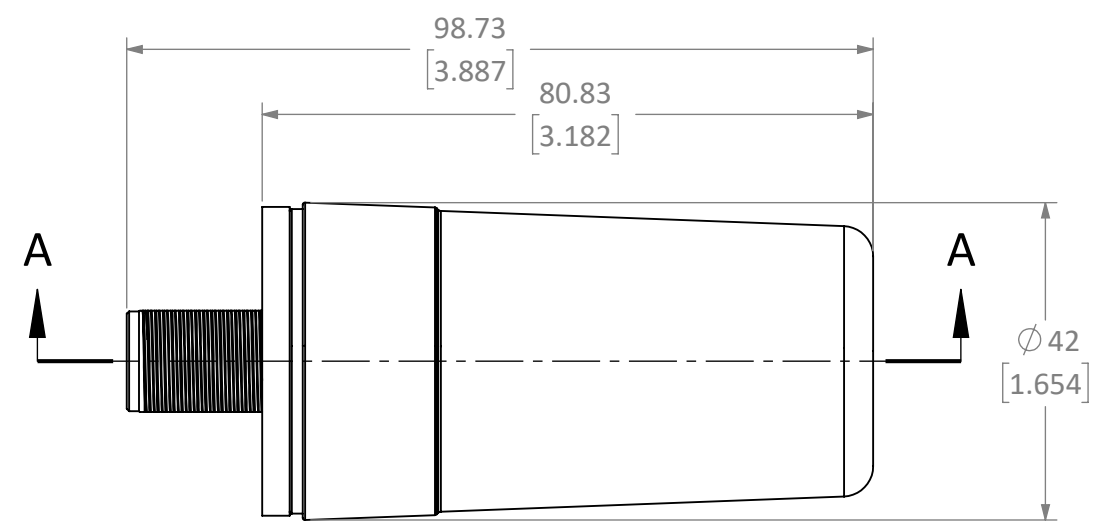


REVISIONS			
REV	DESCRIPTION	DATE	APPV
A	PRODUCTION RELEASE	JHAGER 12/23/20	DV 1/4/21
B	ELEMENT COVER MATERIAL WAS ABS PLASTIC	JHAGER 5/4/2021	



SECTION A-A



- NOTES: (UNLESS OTHERWISE SPECIFIED)
- ALL DIMENSIONS ARE IN MILLIMETERS [IN].
 - DIMENSIONS APPLY AFTER FINISHING.
 - MANUFACTURE TO BE COMPLIANT WITH EU RoHS DIRECTIVE, USE MATERIALS THAT DO NOT CONTAIN REACH SUBSTANCES OF VERY HIGH CONCERN >1000ppm, AND USE DRC CONFLICT-FREE SOURCED MATERIALS N TYPY .
 - N TYPE CONNECTOR INTERFACE SHALL CONFORM TO MIL-STD-348B.
 - ENVIRONMENTAL: IP67 WATERPROOF SEALED ELEMENT AND MOUNTING BASE.
 - MATERIAL:
 - HOUSING: ASA, BLACK UV STABLE (f1)
 - BASE GASKET: EPDM
 - BASE: Ni/BRONZE
 - OPERATING TEMPERATURE: -30°- 70° C
 - MAX BULKHEAD THICKNESS: 1.39mm [.054] 18awg
 - N-CONNECTOR MAX TORQUE: 1N-m [8.85in-lbs]
 - ALL GEOMETRY AND FEATURES CONTROLLED BY MODEL AT LATEST REVISION.

WARNING: THIS DRAWING CONTAINS PROPRIETARY INFORMATION THAT IS THE SOLE PROPERTY OF LINX TECHNOLOGIES, AND SHALL BE TREATED AS SUCH. NO DISCLOSURE OR REPRODUCTION OF THIS DOCUMENT IS PERMITTED, IN WHOLE OR IN PART, WITHOUT THE EXPRESS WRITTEN PERMISSION OF LINX TECHNOLOGIES OR ITS DESIGNATED AGENTS.

MATERIAL: ASA PW-978B(+)(F1) BRASS	INTERPRET DIMENSIONS AND TOLERANCES PER ASME Y14.5. .X ±2.0 .XX ±1.00 .XXX ±.500	ANGLES: ±1° SURFACE: √	PROJECTION:
WEIGHT:	DRAWN: JHAGER ENGR: DASARATHAN	DT: 12/23/20 DT:	
FINISH: BLACK TEXTURED NICKEL			

STE connectivity 159 ORT LANE
MERLIN, OR 97532

TITLE:
5G CELLULAR ANT DOME N JACK

SIZE B	DWG. NO. C-ANT-8_9-SPNF2	REV B
SCALE: 1:1	DO NOT SCALE DRAWING	SHEET 1 OF 1

LDCDFB_B