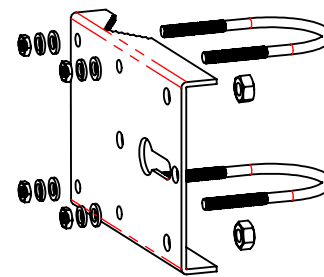
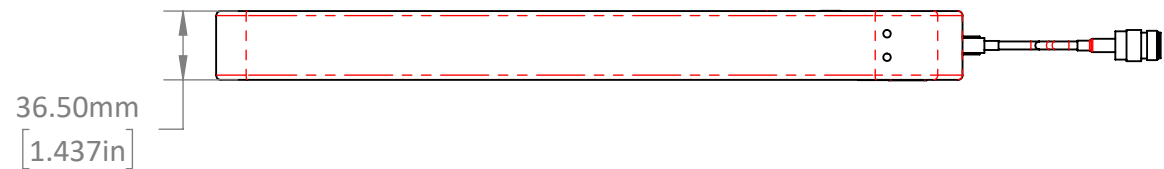
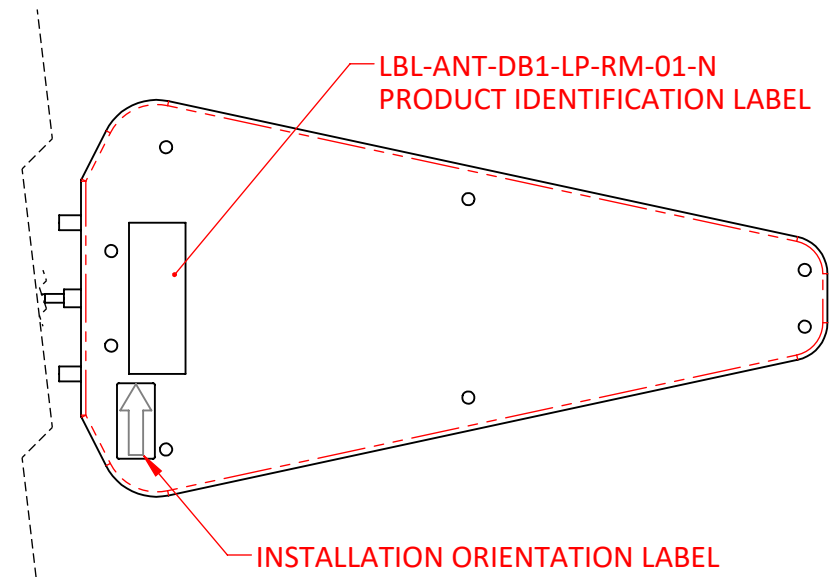
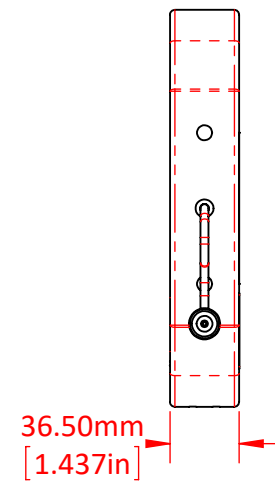
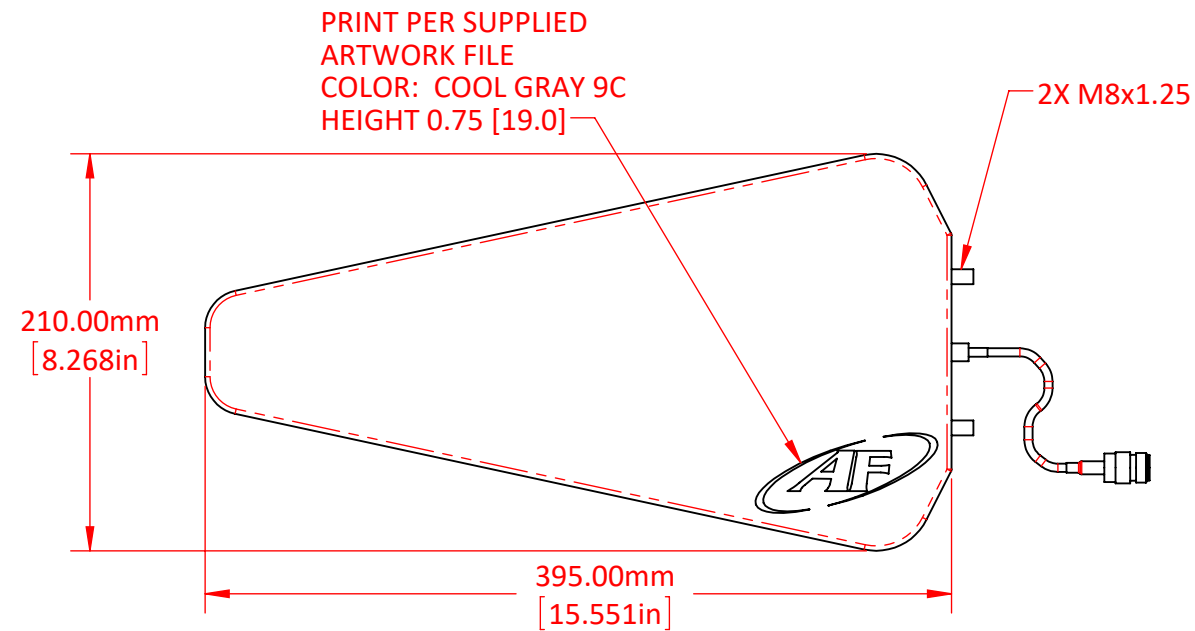


PART NUMBER	ANT-DB1-LP-RM-01-N		
FREQUENCY BANDS	824 - 960 MHz	1710 - 2170 MHz	2400 - 2483 MHz
GAIN	8.5 dBi	9 dBi	9 dBi
3 dB HORIZ BEAMWIDTH	57°	53°	50°
3 dB VERT BEAMWIDTH	85°	70° - 80°	70°
FRONT-TO-BACK RATIO	≥20 dB	≥23 dB	≥20 dB
IMPEDANCE	50-OHMS		
VSWR	≤1.5 TYP. AT CENTER		
POLARIZATION	VERTICAL		
MAX. INPUT POWER	100 W		
CONNECTION	N FEMALE		
WIND LOAD	≥ 13 Lb [6 kgf] @ 75 mph [120 km/h]		
TEMPERATURE	-30° TO +60° C		
MOUNTING KIT (INCLUDED)	2-PIECE BRACKET WITH U-BOLTS FOR 40-50 mm MAST		

REVISIONS			
REV	DESCRIPTION	DATE	APPV
A	INITIAL RELEASE	2-JUL-10	SAH

- NOTES: (UNLESS OTHERWISE SPECIFIED)
1. ALL DIMENSIONS ARE IN MILLIMETERS [IN].
 2. DIMENSIONS APPLY AFTER FINISHING.
 3. MANUFACTURE TO BE COMPLIANT WITH EU RoHS DIRECTIVE, USE MATERIALS THAT DO NOT CONTAIN REACH SUBSTANCES OF VERY HIGH CONCERN >1000ppm, AND USE DRC CONFLICT-FREE SOURCED MATERIALS.



MOUNTING KIT (INCLUDED)

WARNING: THIS DRAWING CONTAINS PROPRIETARY INFORMATION THAT IS THE SOLE PROPERTY OF LINX TECHNOLOGIES, AND SHALL BE TREATED AS SUCH. NO DISCLOSURE OR REPRODUCTION OF THIS DOCUMENT IS PERMITTED, IN WHOLE OR IN PART, WITHOUT THE EXPRESS WRITTEN PERMISSION OF LINX TECHNOLOGIES OR ITS DESIGNATED AGENTS.

STE 159 ORT LANE
connectivity MERLIN, OR 97532

MATERIAL:	INTERPRET DIMENSIONS AND TOLERANCES PER ASME Y14.5.	PROJECTION:
WEIGHT:	.X ±2.0 .XX ±1.00 .XXX ±.500	
FINISH:	ANGLES: ±1° SURFACE:	
DRAWN: S.HOGAN	DT: 14-APR-10	
ENGR:	DT: 14-APR-10	

TITLE:
LOG PERIODIC DIPOLE ANTENNA
TRI-BAND, 50°H, 70°V, 9 dBi

SIZE	DWG. NO.	REV
B	C-ANT-DB1-LP-RM-01-N_A	A
SCALE: 1:1	DO NOT SCALE DRAWING	SHEET 1 OF 1