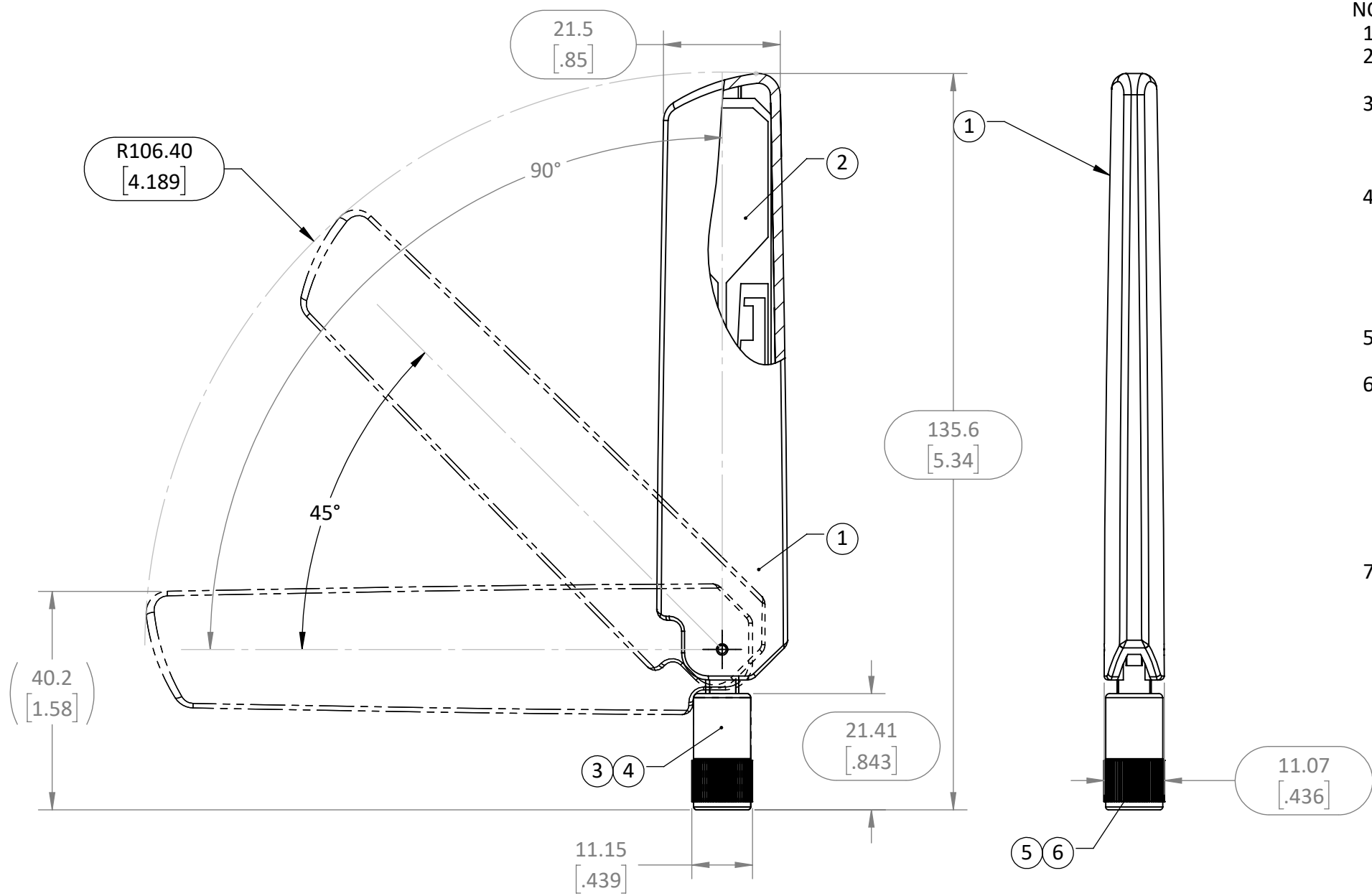


REVISIONS			
REV	DESCRIPTION	DATE	APPV
A	PRODUCTION RELEASE	JHAGER 7/20/22	

D  
C  
B  
A

D  
C  
B  
A



- NOTES: (UNLESS OTHERWISE SPECIFIED)
- ALL DIMENSIONS ARE IN MILLIMETERS [IN].
  - DIMENSIONS APPLY AFTER FINISHING. UNLISTED GEOMETRY CONTROLLED BY MANUFACTURER DRAWINGS AT CURRENT REVISION.
  - MANUFACTURE TO BE COMPLIANT WITH EU RoHS DIRECTIVE, USE MATERIALS THAT DO NOT CONTAIN REACH SUBSTANCES OF VERY HIGH CONCERN >1000ppm, AND USE DRC CONFLICT-FREE SOURCED MATERIALS.
  - ELECTRICAL SPECIFICATIONS ARE FOR REFERENCE ONLY. SEE LINX DATA SHEET FOR ELECTRICAL PROPERTIES.
    - IMPEDANCE: 50Ω
    - ANTENNA TYPE: DIPOLE
    - FREQUENCY RANGE: W63 BAND SEE DATASHEET
    - VSWR NTE ≤ 3.0
  - ANTENNA QUALIFIED IAW ANTENNA TEST PLAN DOCUMENT AT LATEST REVISION.
  - MECHANICAL
    - UNLISTED DIMENSIONS ARE CONTROLLED BY MODEL AT LATEST REVISION.
    - OPERATING RANGE: -20° - +65°C
    - ARTICULATION STOPS AT 45 AND 90 DEGREES. FREE SPIN 180°
    - INTERFACE SMA TYPE IAW MIL-STD-348B. RP-SMA TYPE CONNECTOR INTERFACES WITH INDUSTRY STANDARD RP TYPE SMA CONNECOTRS AND ADAPTERS.
  - PACK ANTENNAS INDIVIDUALLY AND PLACE IN LOT BAG. MARK LOT BAG AND BOX IAW LINX LABEL DRAWING PROVIDED.

ITEM NUMBER	DESCRIPTION
6	PIN, SMA TYPE, GOLD/BRASS
5	CONN, SMA TYPE NICKEL/ZINC
4	CABLE, COAX, RG178, NAT
3	COVER, ELEMENT BASE, PC+PBT, BLACK
2	ELEMENT, 5GW, RIGID PCB
1	COVER, ELEMENT, PC+PBT, BLACK

**WARNING:** THIS DRAWING CONTAINS PROPRIETARY INFORMATION THAT IS THE SOLE PROPERTY OF LINX TECHNOLOGIES, AND SHALL BE TREATED AS SUCH. NO DISCLOSURE OR REPRODUCTION OF THIS DOCUMENT IS PERMITTED, IN WHOLE OR IN PART, WITHOUT THE EXPRESS WRITTEN PERMISSION OF LINX TECHNOLOGIES OR ITS DESIGNATED AGENTS.

**STE** 159 ORT LANE  
connectivity MERLIN, OR 97532

MATERIAL: PC/PBT	INTERPRET DIMENSIONS AND TOLERANCES PER ASME Y14.5.		PROJECTION: 
WEIGHT:	.X ±2.0 .XX ±1.00 .XXX ±.500	ANGLES: ±1° SURFACE:	
FINISH:	DRAWN: JHAGER ENGR: DASARATHAN	DT: 7/20/22 DT: 7/20/22	

TITLE: <b>ANTENNA W63 WIDEBAND DIPOLE BLADE TYPE 5</b>		
SIZE <b>B</b>	DWG. NO. C-ANT-W63WS5-XXX	REV <b>A</b>
SCALE: 1:1	DO NOT SCALE DRAWING	SHEET 1 OF 1

LINX PART NUMBER	CONNECTOR
ANT-W63WS5-SMA	SMA TYPE
ANT-W63WS5-RPS	RE-SMA TYPE