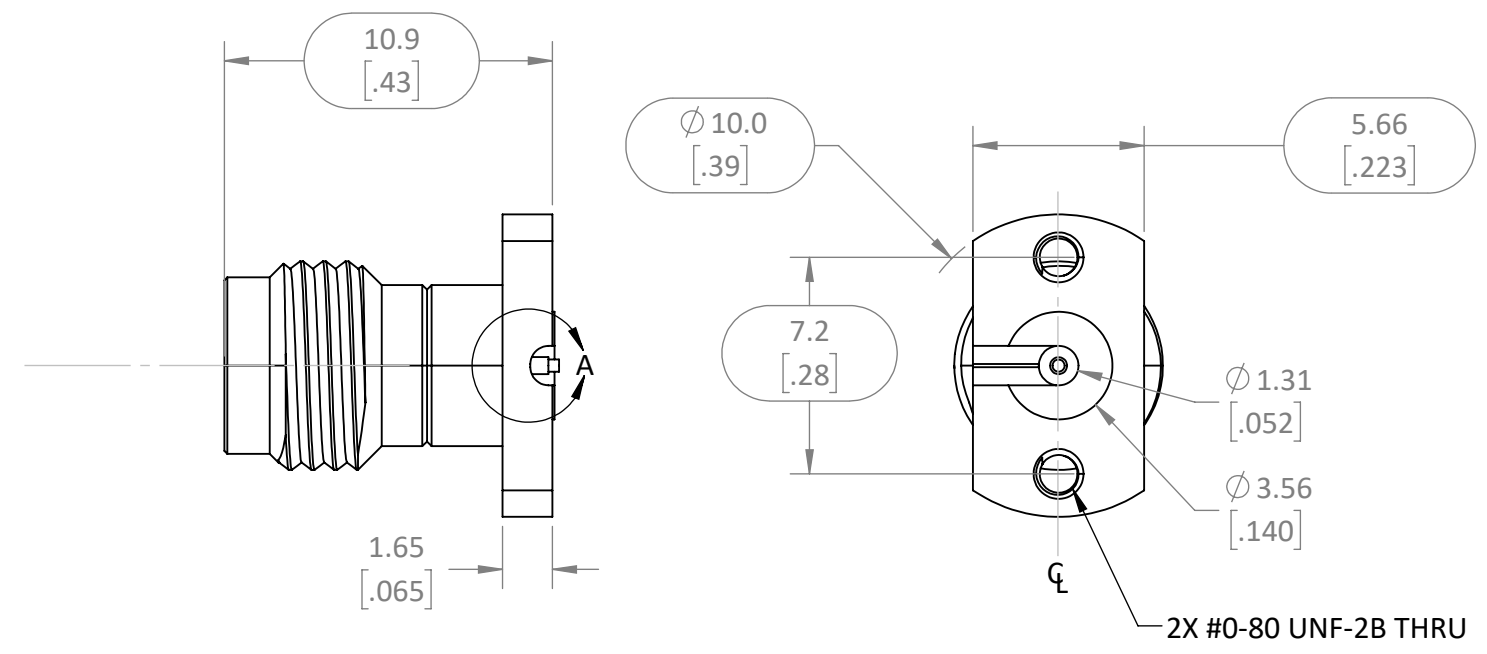
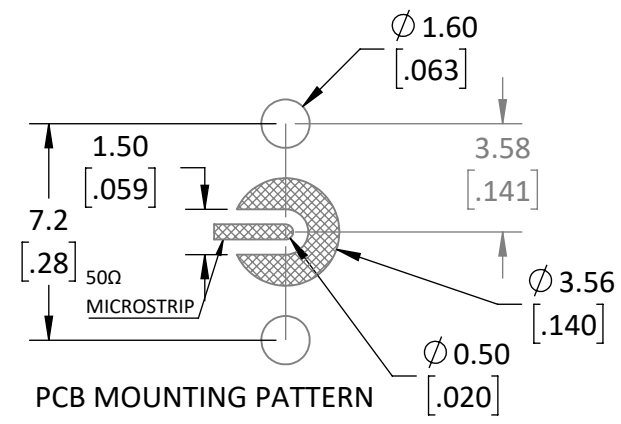
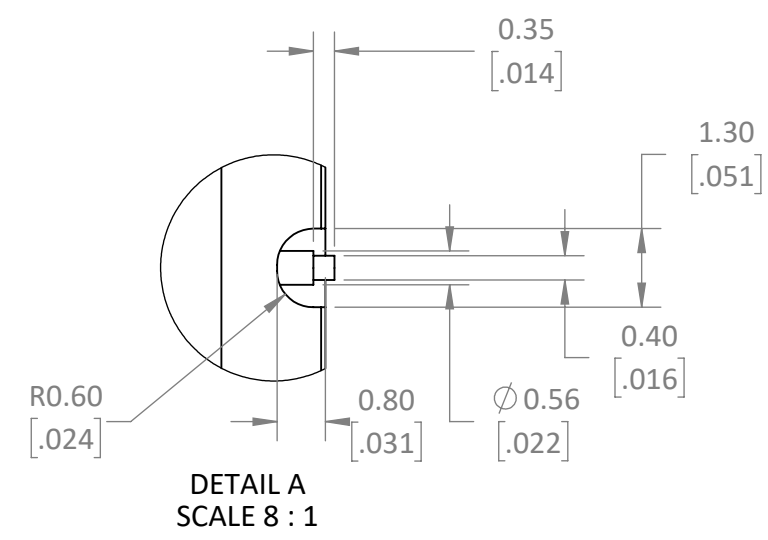


REVISIONS			
REV	DESCRIPTION	DATE	APPV
A	PRODUCTION RELEASE	JHAGER 8/9/22	



- NOTES: (UNLESS OTHERWISE SPECIFIED)
- ALL DIMENSIONS ARE IN MILLIMETERS [IN].
 - DIMENSIONS APPLY AFTER FINISHING.
 - MANUFACTURE TO BE COMPLIANT WITH EU RoHS DIRECTIVE, USE MATERIALS THAT DO NOT CONTAIN REACH SUBSTANCES OF VERY HIGH CONCERN >1000ppm, AND USE DRC CONFLICT-FREE SOURCED MATERIALS.
 - ELECTRICAL PROPERTIES ARE LISTED FOR REFERENCE ONLY. SEE LINX DATA SHEET FOR COMPLETE SPECIFICATIONS.
 - IMPEDANCE: 50Ω
 - FREQUENCY: DC~50GHz
 - VSWR: 1.8
 - CONNECTOR QUALIFIED IAW LINX INTERNAL TEST PLAN AT LATEST REVISION:
 - MECHANICAL:
 - UNLISTED DIMENSIONS ARE CONTROLLED BY SOLID MODEL AT LATEST REVISION
 - OPERATING TEMPERATURE: -55°~125°C
 - REQUIRED MOUNTING HARDWARE PROVIDED:
 - [2EA] PHP, #0-80UNF-2A X (4.76) CRES PAS
 - [2EA] SPLIT WASHER #0 CRES PAS
 - MAX MOUNTING TORQUE: .09 Nm [12in/oz] MAX
 - INTERFACE: 2.4mm TYPE IAW MIL-STD-348B
 - CENTER CONDUCTOR FINISH: Au [30μ"] / Ni [100μ"] / BeCu
 - CAUTION: DO NOT USE STEEL TOOLS ON THIS PART.



WARNING: THIS DRAWING CONTAINS PROPRIETARY INFORMATION THAT IS THE SOLE PROPERTY OF LINX TECHNOLOGIES, AND SHALL BE TREATED AS SUCH. NO DISCLOSURE OR REPRODUCTION OF THIS DOCUMENT IS PERMITTED, IN WHOLE OR IN PART, WITHOUT THE EXPRESS WRITTEN PERMISSION OF LINX TECHNOLOGIES OR ITS DESIGNATED AGENTS.



MATERIAL: CRES BeCu; ULTEM	INTERPRET DIMENSIONS AND TOLERANCES PER ASME Y14.5. .X ±2.0 .XX ±1.00 .XXX ±.500	ANGLES: ±1° SURFACE: √	PROJECTION: 	TITLE: 2.4mm CONNECTOR JACK, SURFACE MOUNT, 50 OHm
WEIGHT:	DRAWN: JHAGER ENGR: DASARATHAN	DT: 8/8/22 DT: 8/8/22	SIZE B	DWG. NO. C-CON24001-1
FINISH: QQ-P-35; PAS GOLD	SCALE: 4:1	DO NOT SCALE DRAWING	SHEET 1 OF 1	REV A