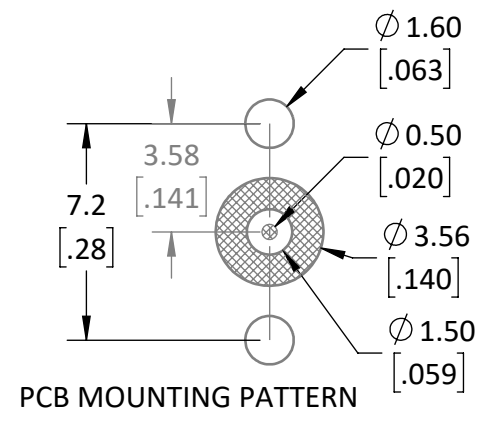
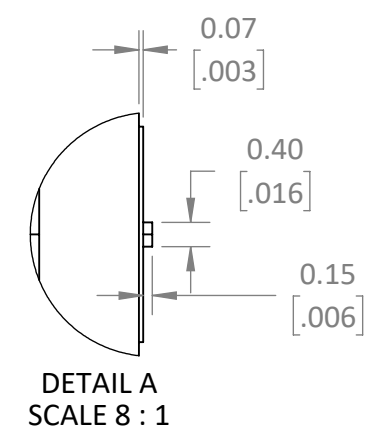
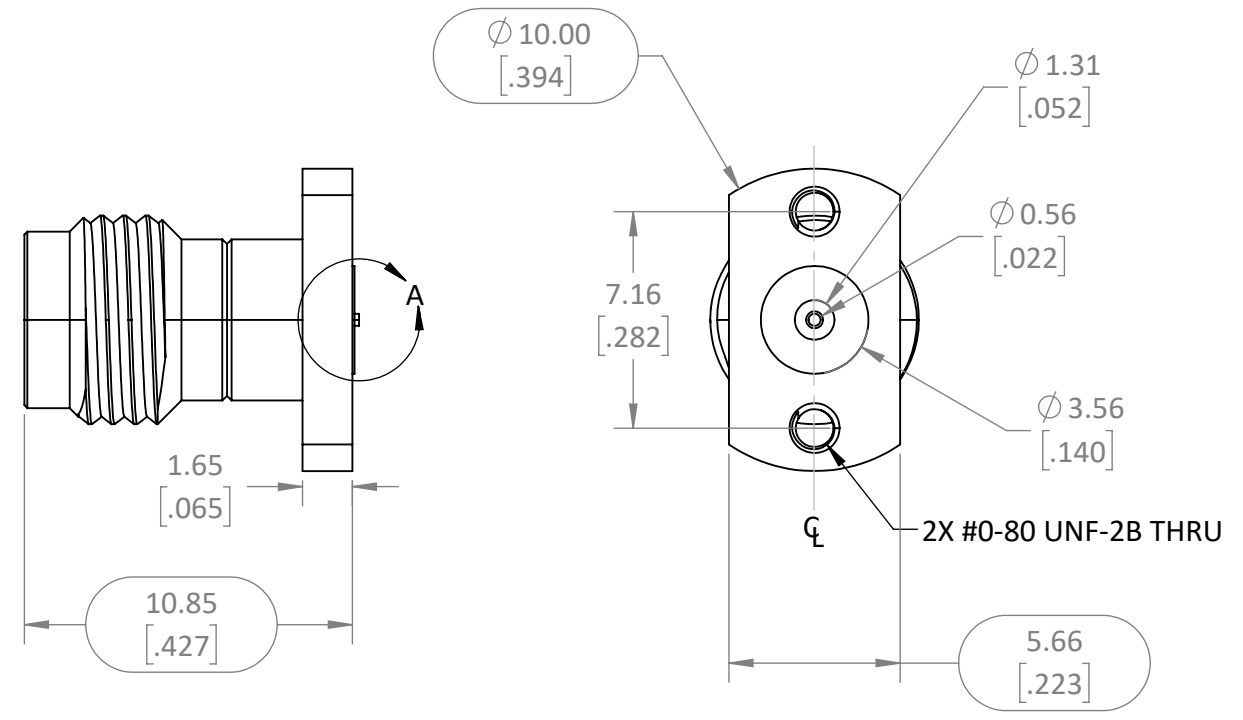




REVISIONS			
REV	DESCRIPTION	DATE	APPV
A	PRODUCTION RELEASE	JHAGER 8/9/22	



- NOTES: (UNLESS OTHERWISE SPECIFIED)
- ALL DIMENSIONS ARE IN MILLIMETERS [IN].
 - DIMENSIONS APPLY AFTER FINISHING.
 - MANUFACTURE TO BE COMPLIANT WITH EU RoHS DIRECTIVE, USE MATERIALS THAT DO NOT CONTAIN REACH SUBSTANCES OF VERY HIGH CONCERN >1000ppm, AND USE DRC CONFLICT-FREE SOURCED MATERIALS.
 - ELECTRICAL PROPERTIES ARE LISTED FOR REFERENCE ONLY. SEE LINX DATA SHEET FOR COMPLETE SPECIFICATIONS.
 - IMPEDANCE: 50Ω
 - FREQUENCY: DC~50GHz
 - VSWR: 1.8
 - CONNECTOR QUALIFIED IAW LINX INTERNAL TEST PLAN AT LATEST REVISION:
 - MECHANICAL:
 - UNLISTED DIMENSIONS ARE CONTROLLED BY SOLID MODEL AT LATEST REVISION
 - OPERATING TEMPERATURE: -55°~125°C
 - REQUIRED MOUNTING HARDWARE NOT PROVIDED:
 - [2EA] PHP, #0-80UNF-2A X (4.76) CRES PAS
 - [2EA] SPLIT WASHER #0 CRES PAS
 - MAX MOUNTING TORQUE: .09 Nm [12in/oz] MAX
 - INTERFACE: 2.4mm TYPE IAW MIL-STD-348B
 - CENTER CONDUCTOR FINISH: Au [30μ"] / Ni [100μ"] / BeCu
 - CAUTION: DO NOT USE STEEL TOOLS ON THIS PART.

WARNING: THIS DRAWING CONTAINS PROPRIETARY INFORMATION THAT IS THE SOLE PROPERTY OF LINX TECHNOLOGIES, AND SHALL BE TREATED AS SUCH. NO DISCLOSURE OR REPRODUCTION OF THIS DOCUMENT IS PERMITTED, IN WHOLE OR IN PART, WITHOUT THE EXPRESS WRITTEN PERMISSION OF LINX TECHNOLOGIES OR ITS DESIGNATED AGENTS.		 159 ORT LANE MERLIN, OR 97532	
MATERIAL: CRES BeCu, ULTEM		TITLE: 2.4mm Connector Jack, Surface Mount, Via, 50 Ohm	
WEIGHT:		SIZE B DWG. NO. C-CON24001-VIA REV A	
FINISH: QQ-P-35; PAS GOLD; 30μ"		SCALE: 4:1 DO NOT SCALE DRAWING SHEET 1 OF 1	
INTERPRET DIMENSIONS AND TOLERANCES PER ASME Y14.5. .X ±2.0 .XX ±1.00 .XXX ±.500		PROJECTION: 	
DRAWN: JHAGER ENGR: DASARATHAN		DT: 8/8/22 DT: 8/8/22	

8 7 6 5 4 3 2 1

8 7 6 5 4 3 2 1 LDCDFB_B