

THIS DRAWING IS UNPUBLISHED.

RELEASED FOR PUBLICATION

ALL RIGHTS RESERVED.

© COPYRIGHT - TE Connectivity Ltd.

REVISIONS

P	LTR	DESCRIPTION	DATE	DWN	APVD
	A	INITIAL DRAWING	09AUG19	VM	DH

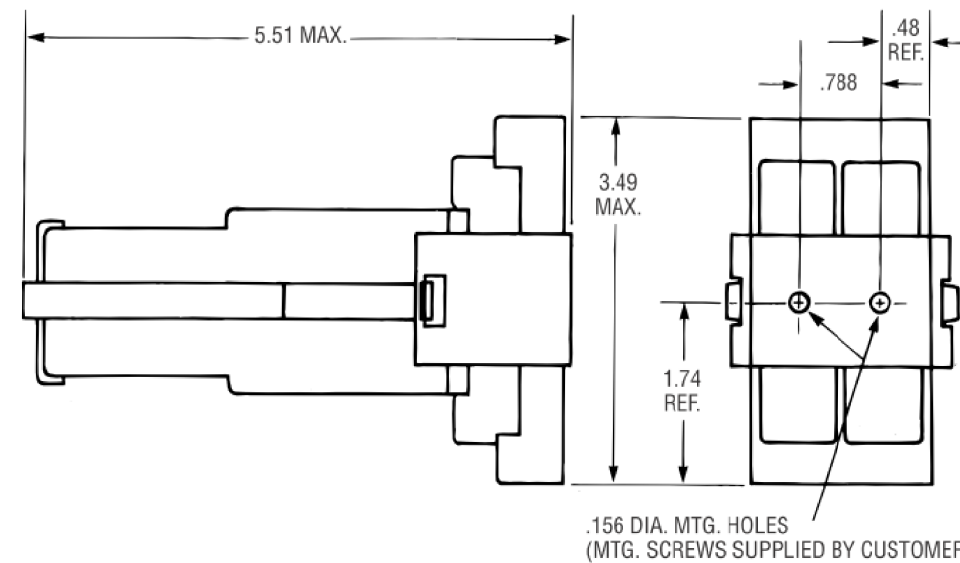
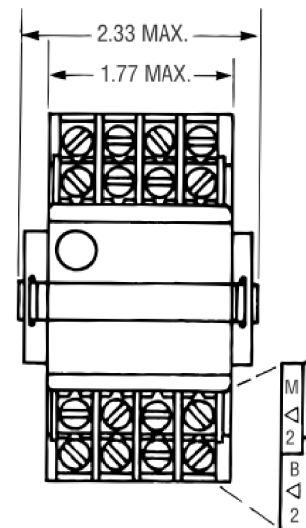
ETR14 * * * -004

CONFIGURATION CONTROL SERIALIZATION

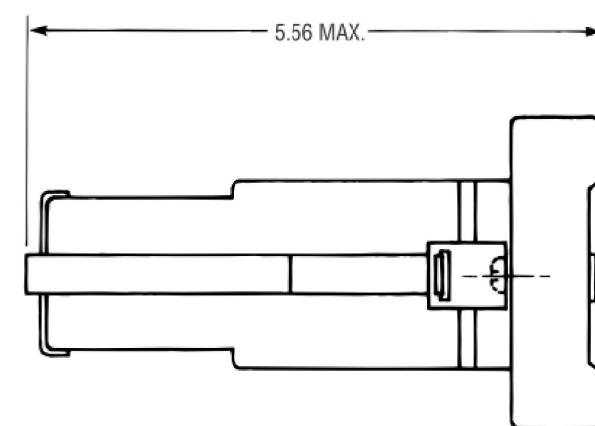
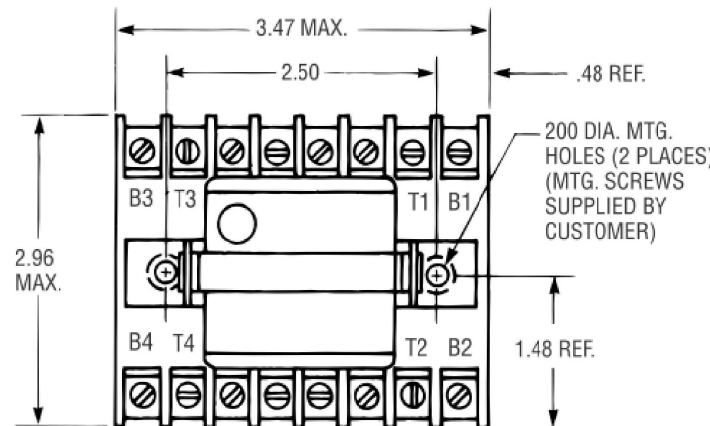
CODE	OPERATING VOLTAGE
B	24 VDC
D	125 VDC
I	120 V, 50/60 Hz
E	110 VDC

CODE	TIMING ADJ.
1	FIXED
3	INTERNAL POT.

CODE	TIME RANGE
A	.15 - 3 SEC.
B	.55 - 15 SEC.
C	1 - 30 SEC.
D	2 - 60 SEC.
E	4 - 120 SEC.
G	10 - 300 SEC.
I	2 - 60 MIN.
N	1 - 30 MIN.



Qualification tested in the horizontal position, mounted in socket ECR0001-001 (captive clamp terminals) or in socket ECR0002-001 (screw terminals) with locking straps ECR0133.



Qualification tested in the horizontal position, mounted in socket ECR0095-001 (screw terminals) with locking strap ECR0155.

Series EGP, EML and ETR AGASTAT control relays must be mounted in the horizontal position; performance specifications of these units are valid only when they are mounted as indicated in either of the above drawings. All dimensions in inches.

ALL DIMENSIONS ARE IN INCHES.

PACKAGING ASSY P/N
37703-02

BASIC RELAY ASSEMBLY		
CODE	DESCRIPTION	PART NO.
B1	24 VDC, FIXED	37711-01
D1	125 VDC, FIXED	37711-02
I1	120 V, 50/60 Hz. FIXED	37711-03
B3	24 VDC, INT, POT. ADJ.	37711-04
D3	125 VDC, INT, POT. ADJ.	37711-05
I3	120 V, 50/60 Hz. INT, POT. ADJ.	37711-06
E1	110 VDC, FIXED	37711-07
E3	110 VDC, POT. ADJ.	37711-08

TIMING MODULE ASSEMBLY	
CODE	PART NO.
B1A/B3A	37712-01
B1B/B3B	37712-02
B1C/B3C	37712-03
B1D/B3D	37712-04
B1E/B3E	37712-05
B1G/B3G	37712-06
B1I/B3I	37712-07
B1N/B3N	37712-08
D1A/D3A	37713-01
D1B/D3B	37713-02
D1C/D3C	37713-03
D1D/D3D	37713-04
D1E/D3E	37713-05
D1G/D3G	37713-06
D1I/D3I	37713-07
D1N/D3N	37713-08
I1A/I3A	37713-01
I1B/I3B	37713-02
I1C/I3C	37713-03
I1D/I3D	37713-04
I1E/I3E	37713-05
I1G/I3G	37713-06
I1I/I3I	37713-07
I1N/I3N	37713-08
E1A/E3A	37713-01
E1B/E3B	37713-02
E1C/E3C	37713-03
E1D/E3D	37713-04
E1E/E3E	37713-05
E1G/E3G	37713-06
E1I/E3I	37713-07
E1N/E3N	37713-08

J

ACCESSORIES KITS		
CATALOG CODE	DESCRIPTION	PART NO.
ECR0001-001	RELAY SOCKET KIT (TIRED W/CAP. TERM.)	37704-01
ECR0002-002	RELAY SOCKET KIT (TIRED W/BO,HD,SCREWS)	37705-01
ECR0133-001	LOCKING STRAP KIT	37706-01 (2)
ECR0095-001	RELAY SOCKET KIT (FLAT)	37707-01
ECR0155-001	LOCKING STRAP KIT	37708-01 (3)

NOTES:

- FOR SPECIFICATIONS REFER TO SPEC. NO. ETR
- USED WITH SOCKETS ECR0001-001 & ECR0002-001
- USED WITH SOCKET ECR0095-001
- FOR SCHEMATIC DIAGRAM SEE DWG. 37714-00
- CRITICAL ITEMS INTENDED FOR DEDICATION ARE TO BE IDENTIFIED BY USING PART NUMBERS PREFIXED WITH THE LETTER "E"

THIS DRAWING IS A CONTROLLED DOCUMENT.		DWN VM 09AUG2019	TE Connectivity	
		CHK RV 09AUG2019		
		APVD DH 09AUG2019	NAME	
		PRODUCT SPEC	ETR SERIES RELAY	
		APPLICATION SPEC	-	
		WEIGHT	SIZE A3	RESTRICTED TO
		CUSTOMER DRAWING	CAGE CODE -	DRAWING NO. C-ETR-SERIES
			SCALE NTS	SHEET 1 of 2
				REV A

THIS DRAWING IS UNPUBLISHED.

RELEASED FOR PUBLICATION

REVISIONS

© COPYRIGHT - TE Connectivity Ltd.

ALL RIGHTS RESERVED.

P	LTR	DESCRIPTION	DATE	DWN	APVD
-	-	SEE SHEET 1	-	-	-

- E**
Nuclear Safety Related
Code E
- TR14**
AGASTAT Control Relay Model
Code TR14 - Time Delay Relay (Delay on Pull-in)
- B**
Operating Voltage
Code
DC B - 24 VDC
D - 125 VDC
AC I - 120 VAC 60Hz
- 1**
Timing Adjustment
Code
1 - Internal Fixed
3 - Internal Potentiometer
- A**
Time Range
Code
A - .15 to 3 sec.
B - .55 to 15 sec.
C - 1 to 30 sec.
D - 2 to 60 sec.
E - 4 to 120 sec.
G - 10 to 300 sec.
I - 2 to 60 min.
N - 1 to 30 min.
- **004**
Configuration Code
Code 004


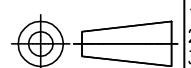


*** Configuration Code**
The Configuration Code is a suffix to the Model Number which provides a means of identification. When a significant product change is introduced, the Configuration code and specification sheets will be revised.

Ordering Information
Catalog Number Code — Series EGP and EML

- E**
Nuclear Safety Related
Code E
- GP**
AGASTAT Control Relay Model
Code
GP - Power Relay
ML - Magnetic Latch
- A**
Coil Voltage
Code
DC A - 12 VDC
B - 24 VDC
C - 48 VDC
D - 125 VDC
E - 110 VDC
F - 250 VDC (Series EGP Only)
AC G - 24 VAC 60 Hz (Series EGP Only)
H - 48 VAC 60 Hz (Series EGP Only)
I - 120 VAC 60 Hz (Series EGP Only)
J - 220 VAC 60 Hz (Series EGP Only)
- 004**
Configuration Code*
Code 004

*** Configuration Code**
The Configuration Code is a suffix to the Model Number which provides a means of identification. When a significant product change is introduced, the Configuration code and specification sheets will be revised.

THIS DRAWING IS A CONTROLLED DOCUMENT.		DWN VM 09AUG2019	 TE Connectivity		
		CHK VM 09AUG2019			
DIMENSIONS: INCHES		APVD DH 09AUG2019	NAME		
		PRODUCT SPEC			RESTRICTED TO
		APPLICATION SPEC			
MATERIAL		WEIGHT	SIZE A3	CAGE CODE	DRAWING NO. C-ETR-SERIES
		CUSTOMER DRAWING		SCALE NTS	SHEET 2 of 2
				REV A	