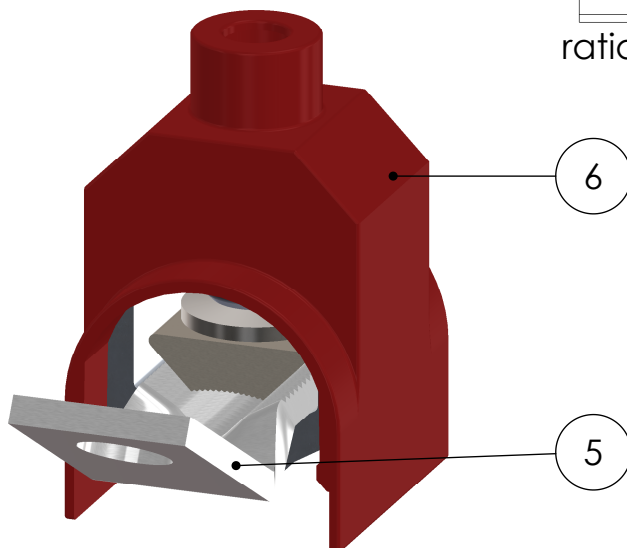
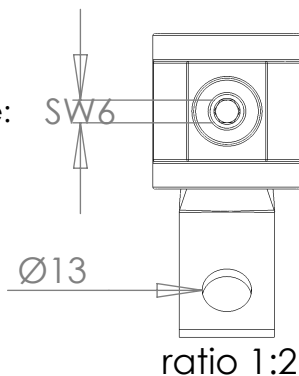



Recommended torque:
23 Newton meters



6	Protection cap, made from PP flame retardant
5	Terminal plate, made from copper, tin-plated
4	Pressure pad, made from brass, tin-plated
3	Spring washer
2	Screw M14x15 with SW 6mm
1	AL-alloy frame made from profile part

BURR PROJECTION:		DEBUR AND BREAK SHARP EDGES		DO NOT SCALE DRAWING		REVISION: 1, dated 18.02.21	
FORM BOUND MEASURE:		DIMENSION:		This Information is confidential and proprietary to Tyco Electronics Corporation and its subsidiaries and affiliates. It may not be disclosed to anyone, other than Tyco Electronics personnel, without written authorization from Tyco Electronics Corporation, Harrisburg, Pennsylvania USA.			
NOT FORM BOUND MEASURE:		mm					
NAME	SIGNATURE	DATE	DESCRIPTION:				
DRAWN S. Pollakowski		18.02.2021	V-direct terminal clamp set with terminal palm and protection cap HEL-4835-E-W30; RPN: 329800-000 for conductor cross section: 50-185 SM, 50-240 SE, 35-70 RM/RE				
CHK'D			DWG NO.		C-HEL-4835-E-W30		
APPV'D			SCALE:		1:1		
 Tyco Electronics Raychem GmbH Werk Berlin Trachenbergweg 85 12249 Berlin (Germany)			WEIGHT:		0,16kg		
			SHEET:		1 OF 1		
			A4				