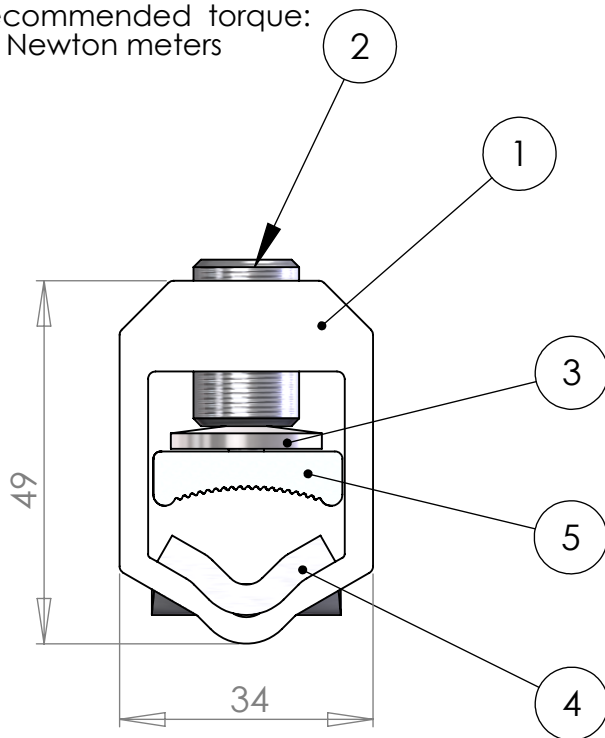



Recommended torque:
25 Newton meters



5	Terminal plate made from copper, tin-plated
4	Pressure pad
3	Spring washer
2	Screw M14x15 with SW 6mm
1	AL-alloy frame made from profile part

Burr Projection:		Debur and Break Sharp Edges		DO NOT SCALE DRAWING		Revision:	
Form Bound Measure:		Dimension:		This Information is confidential and proprietary to Tyco Electronics Corporation and its subsidiaries and affiliates. It may not be disclosed to anyone, other than Tyco Electronics personnel, without written authorization from Tyco Electronics Corporation, Harrisburg, Pennsylvania USA.			
Not Form Bound Measure:							
NAME	SIGNATURE	DATE	MATERIAL:	DESCRIPTION: V-direct terminal clamp with terminal palm HEL-4835-N-ML-240; RPN: 004770-000 for conductor cross section: 70-240 SM/RE, 95-300 SE, 50-185 RM			
DRAWN	S. Pollakowski	07.08.2015					
CHK'D							
APPV'D							
 Tyco Electronics Raychem GmbH Werk Berlin Trachenbergweg 85 12249 Berlin (Germany)			SURFACE:	DWG NO.	C-4835-N-ML-240		A4
			WEIGHT: 145g	SCALE:			