

Kontakt-Zahnelement
(Messing verzinkt)

Gewindesttift M10
(Stahl) SW5

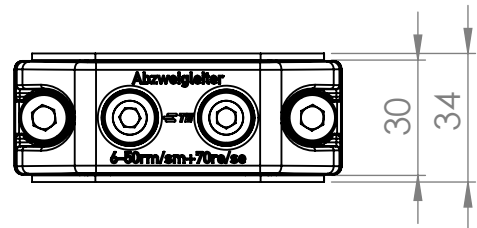
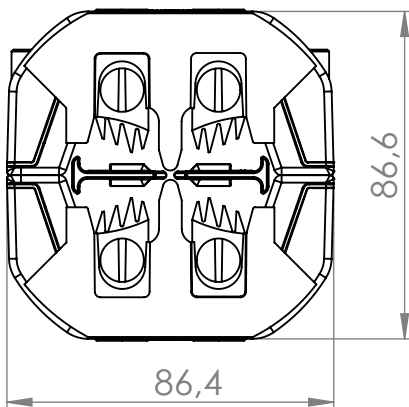
Isoliereinsatz
4-teilig
(Plastik)

Schraube M8x50
(Stahl) SW6

Scheibe
(Stahl verzinkt)

Klemmringhälfte
(Al-Legierung)

Mutter M8
(Stahl)



TCPN: F03306-000

BURR PROJECTION:		DEBUR AND BREAK SHARP EDGES		DO NOT SCALE DRAWING		REVISION: 0	
FORM BOUND MEASURE:		DIMENSION: mm		This Information is confidential and proprietary to Tyco Electronics Corporation and its subsidiaries and affiliates. It may not be disclosed to anyone, other than Tyco Electronics personnel, without written authorization from Tyco Electronics Corporation, Harrisburg, Pennsylvania USA.			
NOT FORM BOUND MEASURE:				DESCRIPTION: Kabelabzweigklemmring 4X50-70SM/50-95SE ABZWEIG: 6-50 RE/SE/RM/SM +70 RE/SE			
NAME	SIGNATURE	DATE	MATERIAL:	DWG NO. HEL-9874		A4	
DRAWN A. Pille		22.06.2010		SCALE: 1:2		SHEET: 1 OF 1	
CHK'D							
APPV'D							
Tyco Electronics Tyco Electronics Raychem GmbH Werk Falkenberg Hellsternstr. 1 04895 Schmerkendorf (Germany)				SURFACE:			
				WEIGHT:			