

P	LTR	DESCRIPTION	DATE	DWN	APVD
	1	INITIAL DRAWING	17SEP2019	VM	JR

Product Specifications for K70A, K70B and K70C

Contact Arrangement —

- K70A — SPST-NO
- K70B — SPST-NC
- K70C — SPDT

Contact Form —

- K70A — A
- K70B — B
- K70C — C

Test Voltage, DC or 60 Hz (Peak) —
75 kV

Rated Operating Voltage (Peak) —

- DC — 70 kV
- 60 Hz RMS — 30 kV

Continuous Carry Current, Max. —

- DC or 60 Hz — 10 A
- Coil Hi-Pot (Vrms, 60 Hz) — 500 A

Contact Capacitance —

- Between Open Contacts — N/A
- Open Contacts to Ground — N/A

Contact Resistance, Max. —

2.0 ohm*

Operate Time, Max. — 20 ms

Release Time, Max. — 15 ms

Shock, 11ms, 1/2 Sine (Peak) —

20 g

Vibration —

Peak — 10 g (55 to 500 Hz)

Operating Ambient Temperature

Range — 0°C to +85°C

Mechanical Life — 500,000 cycles

Weight, Nominal —

510.3 g (18 oz.)

Note:

*Contact resistance for gas-filled relays measured at 28 Vdc, 1 Amp

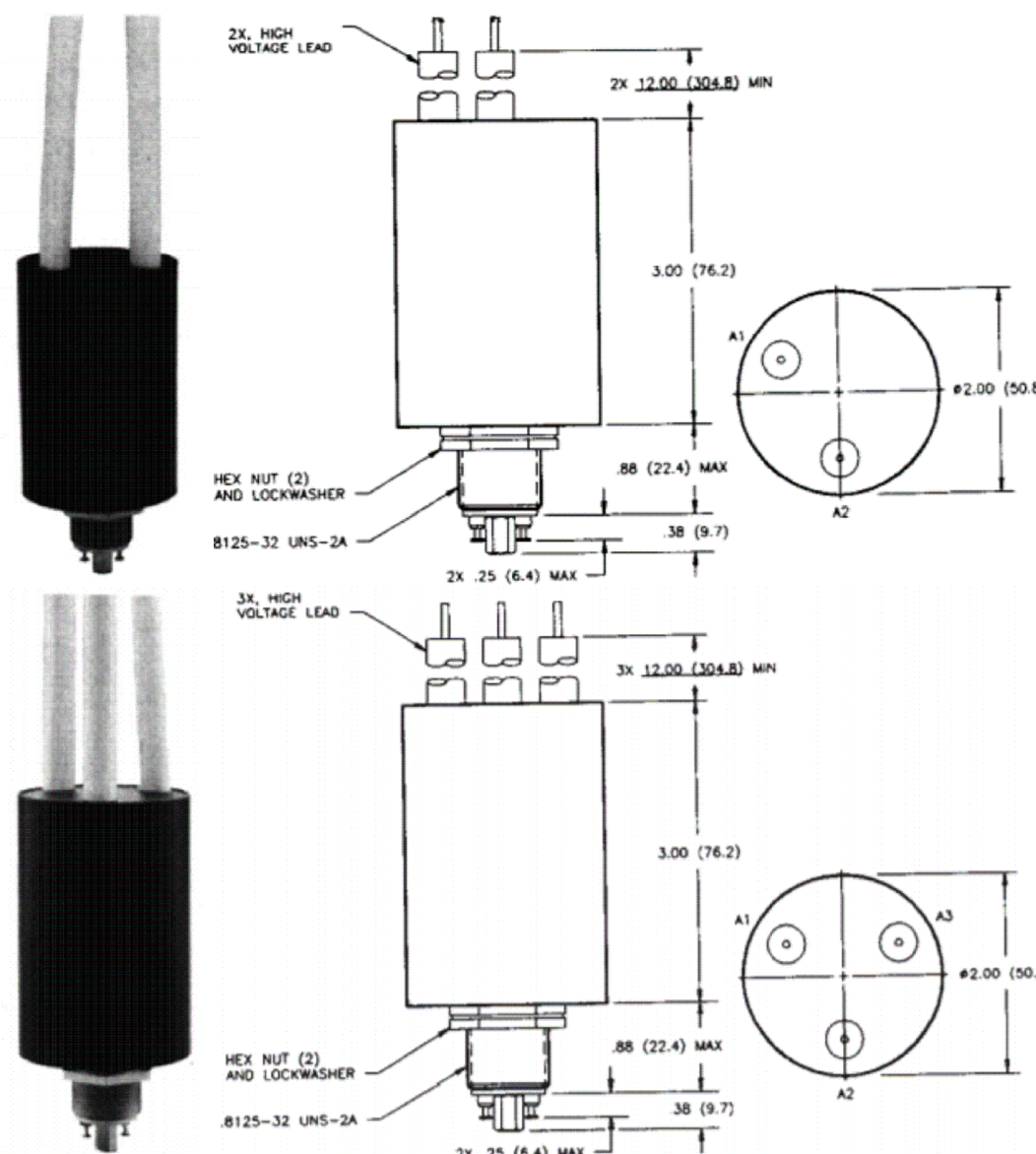
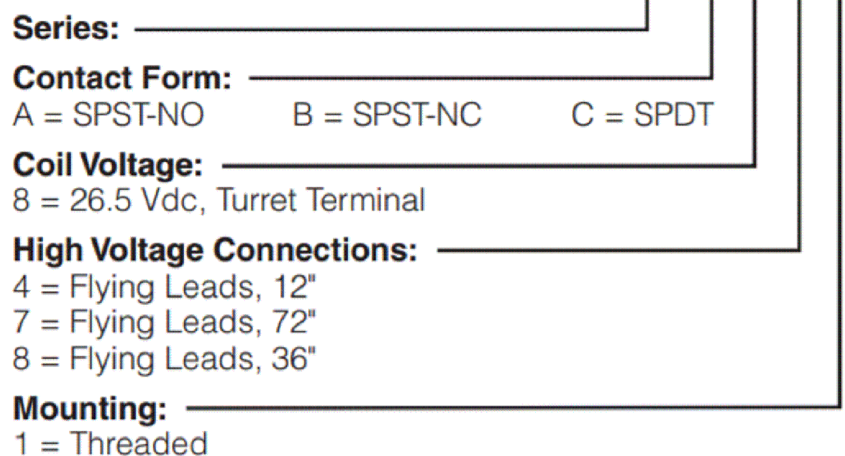
Coil Data

Volts, Nominal	26.5 Vdc
Pickup, Max.	22 Vdc
Dropout	1-10 Vdc
Coil Resistance (±10%)	75 Ω

Ratings listed are for 25°C, sea level conditions

Ordering Information

Sample Part Number ▶



K70A and K70B Product Facts

- New, small, compact 70 kV relay package
- SF-6 gas-filled for capacitive discharge and high voltage isolation applications
- Suitable for charging and discharging of high voltage capacitors
- Safe for use in adverse environments

K70C Product Facts

- SPDT version of K70A
- SF-6 gas-filled for capacitive discharge and high voltage isolation applications
- Suitable for charging and discharging of high voltage capacitors

ALL DIMENSIONS ARE IN INCHES(MM)

THIS DRAWING IS A CONTROLLED DOCUMENT.		DWN	VM	17SEP2019	TE Connectivity			
		CHK	RV	17SEP2019				
		APVD	JR	17SEP2019	NAME			
		PRODUCT SPEC			K70 SERIES MAKE ONLY			
		APPLICATION SPEC			LOAD SWITCHING			
		WEIGHT	—		SIZE	CAGE CODE	DRAWING NO	RESTRICTED TO
		CUSTOMER DRAWING		SCALE	NTS	SHEET	1 OF 1	REV
								1