

THIS DRAWING IS UNPUBLISHED.

RELEASED FOR PUBLICATION

REVISIONS

© COPYRIGHT - TE Connectivity Ltd.

ALL RIGHTS RESERVED.

| P | LTR | DESCRIPTION | DATE | DWN | APVD |
|---|-----|-----------------|-----------|-----|------|
| | A | INITIAL DRAWING | 25SEP2019 | VM | JR |

Product Specifications for KC-15 and KC-16

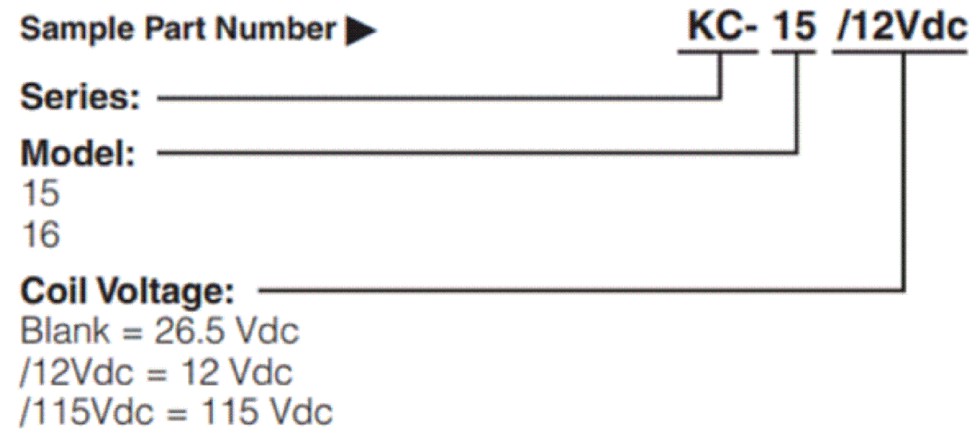
- Contact Arrangement — SPDT
- Contact Form — C
- Test Voltage, DC or 60 Hz (Peak) — 17 kV
- Rated Operating Voltage (Peak) — DC or 60 Hz — 15 kV
- Continuous Carry Current, Max. — DC or 60 Hz — 12 A
- Coil Hi-Pot (Vrms, 60 Hz) — 500 A

- Contact Capacitance — Between Open Contacts — N/A
- Open Contacts to Ground — N/A
- Contact Resistance, Max. — 1.0 ohm*
- Operate Time, Max. — 15 ms
- Release Time, Max. — 9 ms
- Shock, 11ms, 1/2 Sine (Peak) — 50 g
- Vibration — Peak — 10 g (55 to 500 Hz)

- Operating Ambient Temperature Range — -55°C to +125°C
- Mechanical Life — 1 million cycles
- Weight, Nominal — 85 g (3 oz.)

Note:
*Contact resistance for gas-filled relays measured 28 Vdc, 1 Amp

Ordering Information

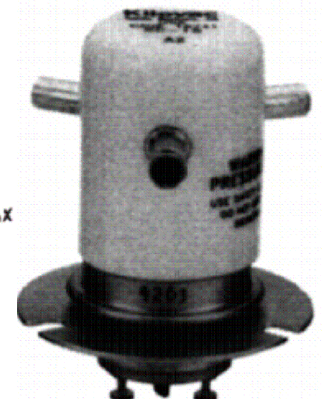
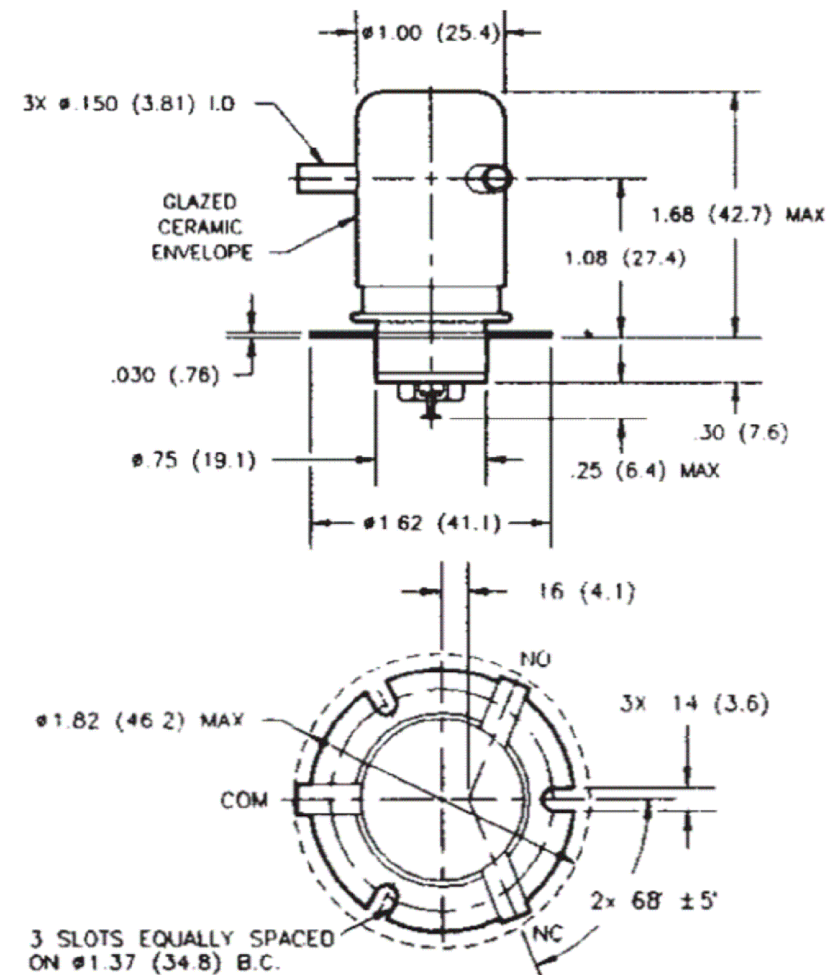
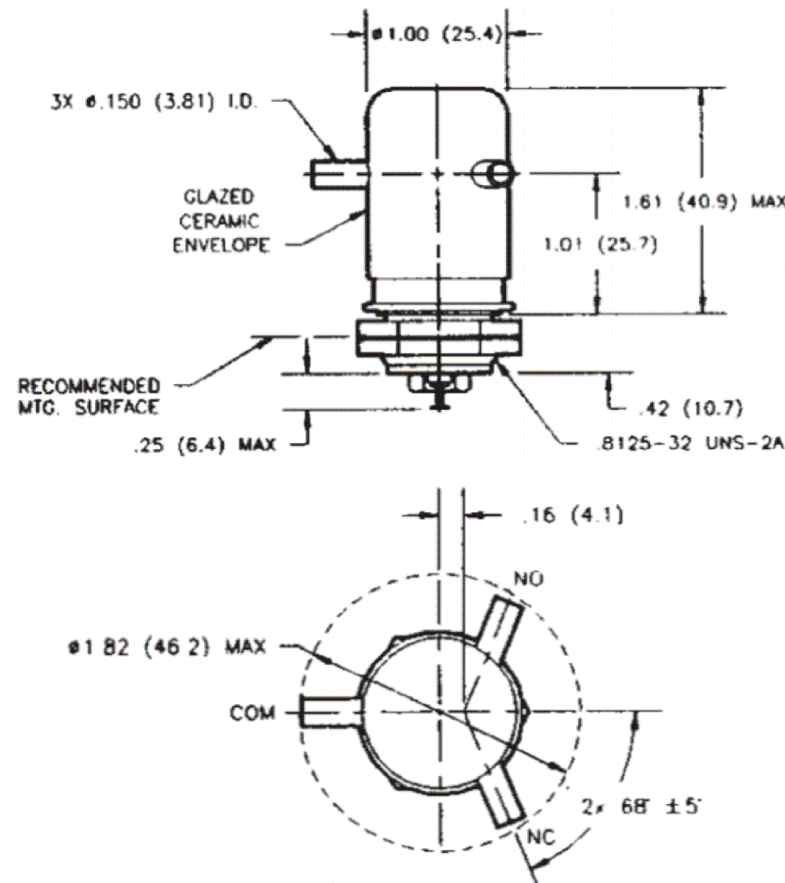


KC-15 Product Facts

- SF-6 gas-filled for power switching on the “make”
- Long load life in capacitive discharge
- Recommended for ESD testing and safety interlock applications
- Meets requirements of MIL-R-83725

KC-16 Product Facts

- Threaded base version of KC-15
- SF-6 gas-filled for power switching on the “make”
- 15 kV rating
- Meets requirements of MIL-R-83725



Coil Data

| Volts, Nominal DC | 12 V | 26.5 V | 115 V |
|------------------------|----------|----------|----------|
| Pickup, Max. | 8 Vdc | 16 Vdc | 80 Vdc |
| Dropout | .5-5 Vdc | 1-10 Vdc | 5-50 Vdc |
| Coil Resistance (±10%) | 48 Ω | 180 Ω | 2900 Ω |

Ratings listed are for 25°C, sea level conditions

ALL DIMENSIONS ARE IN INCHES(MM)

| | | | | | |
|--|--|-------------------|---|-------------------|---------------|
| THIS DRAWING IS A CONTROLLED DOCUMENT. | | DWN VM 25SEP2019 | TE Connectivity | | |
| | | CHK RV 25SEP2019 | | | |
| DIMENSIONS: INCHES | | APVD JR 25SEP2019 | NAME KC-15/16 SERIES MAKE ONLY LOAD SWITCHING | | |
| TOLERANCES UNLESS OTHERWISE SPECIFIED: | | PRODUCT SPEC | SIZE A3 | | |
| 0 PLC ± - | | APPLICATION SPEC | CAGE CODE | DRAWING NO | RESTRICTED TO |
| 1 PLC ± - | | | | ©-KC-15/16-SERIES | |
| 2 PLC ± - | | | | | |
| 3 PLC ± - | | | | | |
| 4 PLC ± - | | | | | |
| ANGLES ± - | | | | | |
| FINISH | | WEIGHT | | | |
| | | | | | |
| | | CUSTOMER DRAWING | SCALE NTS | SHEET 1 OF 1 | REV A |