

THIS DRAWING IS UNPUBLISHED.

RELEASED FOR PUBLICATION

REVISIONS

© COPYRIGHT - TE Connectivity Ltd.

ALL RIGHTS RESERVED.

P	LTR	DESCRIPTION	DATE	DWN	APVD
	A	INITIAL DRAWING	25SEP2019	VM	JR

### Product Specifications for KC-20 and KC-30

#### Contact Arrangement

KC-20 — SPST-NO  
KC-30 — SPST-NC

#### Contact Form

KC-20 — X  
KC-30 — Y

#### Test Voltage, DC or 60 Hz (Peak)

KC-20 — 30 kV  
KC-30 — 28 kV

#### Rated Operating Voltage (Peak)

DC or 60 Hz — KC-20 — 28 kV  
KC-30 — 25 kV

2.5 MHz — 22 kV

16 MHz — KC-20 — 12 kV  
KC-30 — 10 kV

32 MHz — KC-20 — 10 kV  
KC-30 — 9 kV

#### Continuous Carry Current, Max.

DC or 60 Hz — KC-20 — 110 A  
KC-30 — 55 A

2.5 MHz — KC-20 — 60 A  
KC-30 — 30 A

16 MHz — KC-20 — 40 A

KC-30 — 20 A

32 MHz — KC-20 — 30 A

KC-30 — 15 A

Coil Hi-Pot (Vrms, 60 Hz) — 500 A

#### Contact Capacitance

Between Open Contacts — 2.5 pF  
Open Contacts to Ground — 2.5 pF

#### Contact Resistance, Max.

KC-20 — 0.005 ohm  
KC-30 — 0.01 ohm

#### Operate Time, Max.

— 18 ms

#### Release Time, Max.

KC-20 — 10 ms

KC-30 — 20 ms

#### Shock, 11ms, 1/2 Sine (Peak)

— 30 g

#### Vibration

Peak — 10 g (55 to 500 Hz)

#### Operating Ambient Temperature Range

— -55°C to +125°C

#### Mechanical Life

— 2 million cycles

#### Weight, Nominal

— 340 g (12 oz.)

### Ordering Information

#### Sample Part Number

**KC- 20 /12Vdc**

#### Series:

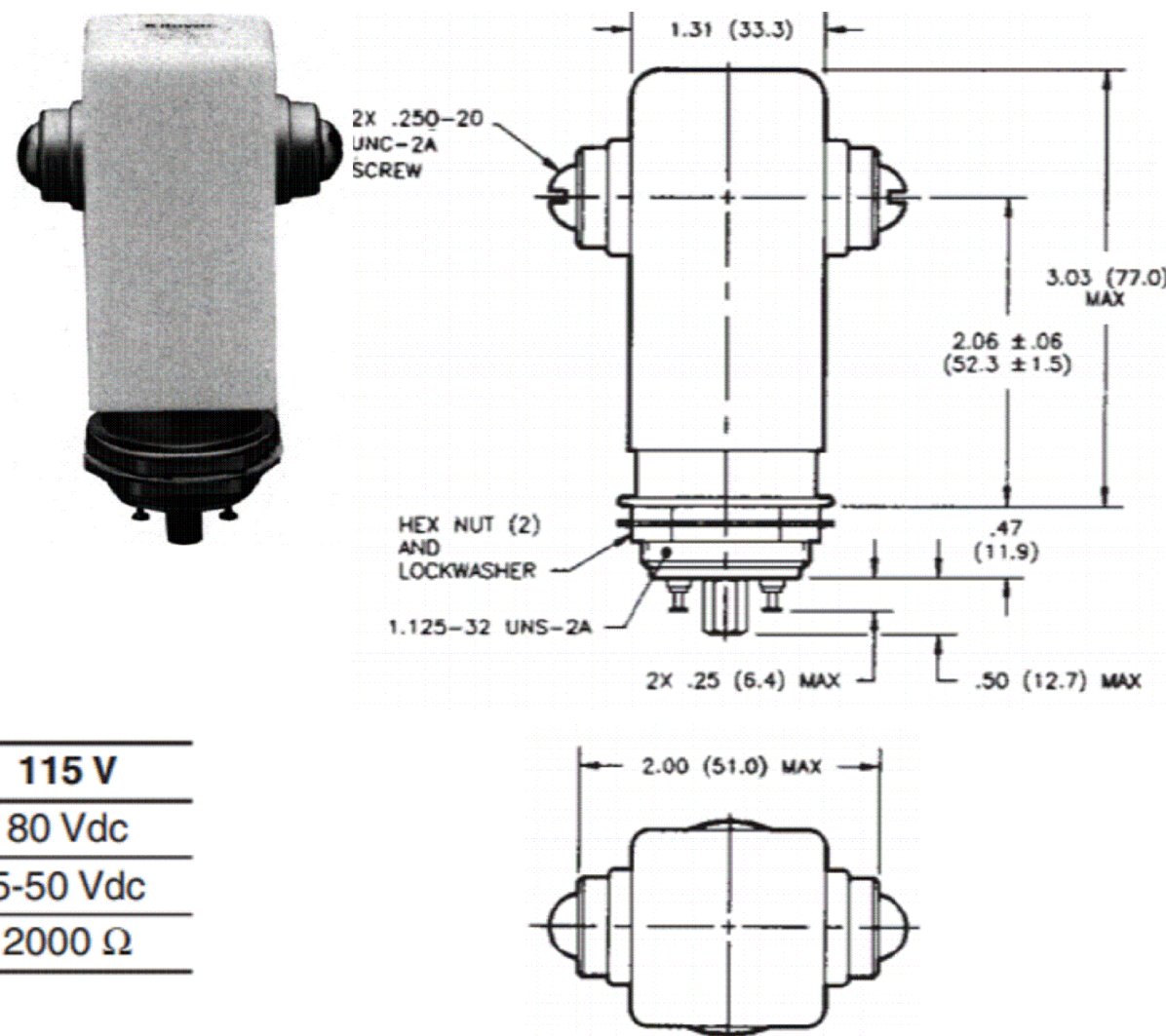
KC-20  
KC-30

#### Coil Voltage:

Blank = 26.5 Vdc  
/12Vdc = 12 Vdc  
/115Vdc = 115 Vdc

### KC-20 Product Facts

- Rugged, high current carry ceramic relay
- Carries 30 Amps at 32 MHz
- Copper contacts; not designed for power switching
- Meets requirements of MIL-R-83725



### Coil Data

Volts, Nominal DC	12 V	26.5 V	115 V
Pickup, Max.	8 Vdc	16 Vdc	80 Vdc
Dropout	.5-5 Vdc	1-10 Vdc	5-50 Vdc
Coil Resistance (±10%)	24 Ω	120 Ω	2000 Ω

Ratings listed are for 25°C, sea level conditions

ALL DIMENSIONS ARE IN INCHES(MM)

THIS DRAWING IS A CONTROLLED DOCUMENT.		DWN	VM	25SEP2019	TE Connectivity			
		CHK	RV	25SEP2019				
DIMENSIONS: INCHES		TOLERANCES UNLESS OTHERWISE SPECIFIED:			NAME			
		0 PLC	± -	PRODUCT SPEC APPLICATION SPEC	KC-20/30 SERIES NO LOAD SWITCHING			
		1 PLC	± -		SIZE	CAGE CODE	DRAWING NO	RESTRICTED TO
		2 PLC	± -		A3	-	©-KC-20/30-SERIES	-
		3 PLC	± -		CUSTOMER DRAWING			SCALE
MATERIAL		FINISH			NTS 1 OF 1 A			