

P	LTR	DESCRIPTION	DATE	DWN	APVD
	A	INITIAL DRAWING	17SEP2019	VM	JR

Product Specifications for KC-14

Contact Arrangement — SPDT

Contact Form — C

Test Voltage, DC or 60 Hz (Peak) — 17 kV

Rated Operating Voltage (Peak) — DC or 60 Hz — 15 kV

Continuous Carry Current, Max. — DC or 60 Hz — 30 A
Coil Hi-Pot (Vrms, 60 Hz) — 500 A

Contact Capacitance —
Between Open Contacts — 0.5 pF
Open Contacts to Ground — 1 pF

Contact Resistance, Max. — 0.025 ohm

Operate Time, Max. — 15 ms

Release Time, Max. — 9 ms

Shock, 11ms, 1/2 Sine (Peak) — 50 g

Vibration —
Peak — 10 g (55 to 500 Hz)

Operating Ambient Temperature Range — -55°C to +125°C

Mechanical Life — 1 million cycles

Weight, Nominal — 85 g (3 oz.)

Coil Data

Volts, Nominal DC	12 V	26.5 V	115 V
Pickup, Max.	8 Vdc	16 Vdc	80 Vdc
Dropout	.5-5 Vdc	1-10 Vdc	5-50 Vdc
Coil Resistance (±10%)	48 Ω	180 Ω	2900 Ω

Ratings listed are for 25°C, sea level conditions

*Hot Switching, Resistive Load Life

Voltage	Current	Load Life Operations
330 Vdc	17 Amps	10,000
330 Vdc	5 Amps	100,000
5,000 Vdc	2 Amps	100,000
10,000 Vdc	1 Amps	50,000

*Ratings are for normally open contacts only. No testing has been performed on normally closed contacts.

Ordering Information

Sample Part Number ► **KC-14 /12Vdc**

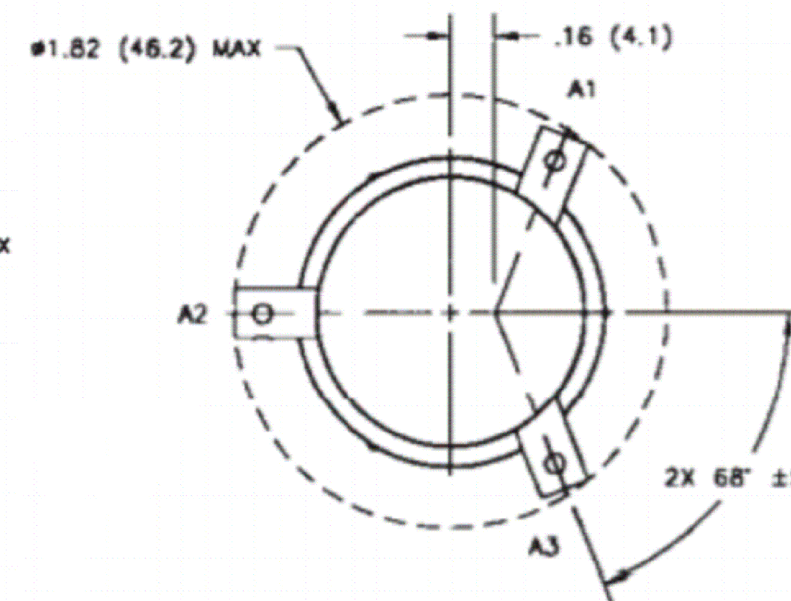
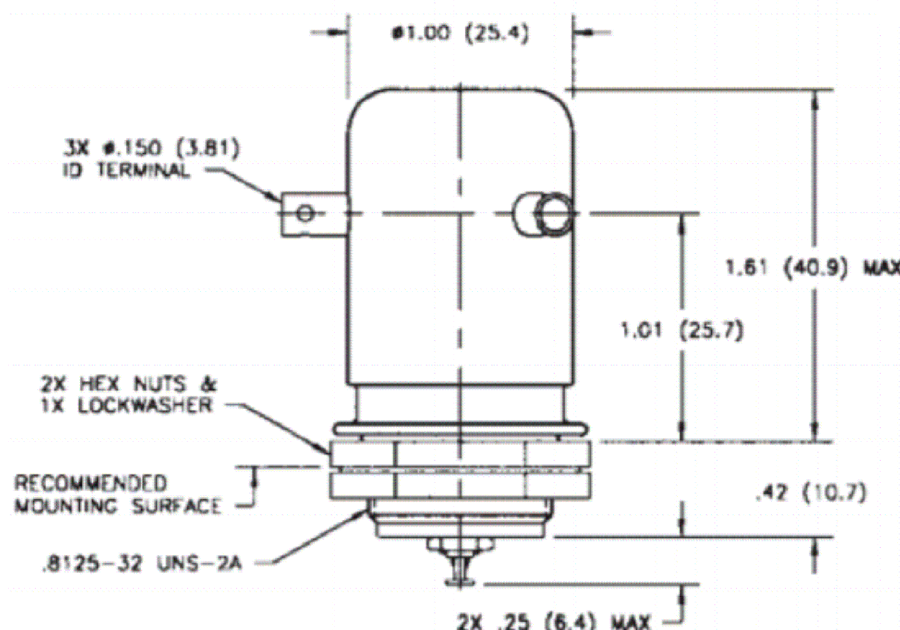
Series: _____

Model: _____
14

Coil Voltage: _____
Blank = 26.5 Vdc /12Vdc = 12 Vdc /115Vdc = 115 Vdc

Product Facts for KC-14

- Specifically designed for load switching applications
- Can power switch and isolate loads
- Replaces KILOVAC KC-8 and KC-12
- Meets requirements of MIL-R-83725



ALL DIMENSIONS ARE IN INCHES(MM)

THIS DRAWING IS A CONTROLLED DOCUMENT.		DWN VM 17SEP2019	TE Connectivity		
DIMENSIONS: INCHES		CHK RV 17SEP2019			
TOLERANCES UNLESS OTHERWISE SPECIFIED:		APVD JR 17SEP2019	PRODUCT SPEC		
0 PLC ± -		APVD JR 17SEP2019	APPLICATION SPEC		
1 PLC ± -		APVD JR 17SEP2019	SIZE A3		
2 PLC ± -		APVD JR 17SEP2019	CAGE CODE -		
3 PLC ± -		APVD JR 17SEP2019	DRAWING NO C-KC-14-SERIES		
4 PLC ± -		APVD JR 17SEP2019	RESTRICTED TO -		
ANGLES ± -		APVD JR 17SEP2019	SCALE NTS		
FINISH -		APVD JR 17SEP2019	SHEET 1 OF 1		
MATERIAL -		APVD JR 17SEP2019	REV A		
		APVD JR 17SEP2019	CUSTOMER DRAWING		