

P	LTR	DESCRIPTION	DATE	DWN	APVD
	A	INITIAL DRAWING	25SEP2019	VM	JR

### Product Specifications for KC-22, KC-32, KC-28 & KC-38

#### Contact Arrangement —

KC-22 and KC-28 — SPST-NO  
 KC-32 and KC-38 — SPST-NC

#### Contact Form —

KC-22 and KC-28 — X  
 KC-32 and KC-38 — Y

#### Test Voltage, DC or 60 Hz (Peak) —

28 kV

#### Rated Operating Voltage (Peak) —

DC or 60 Hz — 25 kV

#### Continuous Carry Current, Max. —

DC or 60 Hz — KC-22 — 65 A  
 KC-33 — 45 A  
 KC-28 — 30 A  
 KC-38 — 15 A

Coil Hi-Pot (Vrms, 60 Hz) — 500 A

#### Contact Capacitance —

Between Open Contacts —  
 KC-22 and KC-32 — 2.5 pF  
 Open Contacts to Ground —  
 KC-22 and KC-32 — 2.5 pF

#### Contact Resistance, Max. —

KC-22 — 0.005 ohm  
 KC-33 — 0.01 ohm  
 KC-28 — 1.0 ohm\*  
 KC-38 — 1.0 ohm\*

#### Operate Time, Max. — 18 ms

#### Release Time, Max. —

KC-22 and KC-28 — 10 ms  
 KC32 and KC-38 — 20 ms

#### Shock, 11ms, 1/2 Sine (Peak) —

30 g

#### Vibration —

Peak — 10 g (55 to 500 Hz)

#### Operating Ambient Temperature Range —

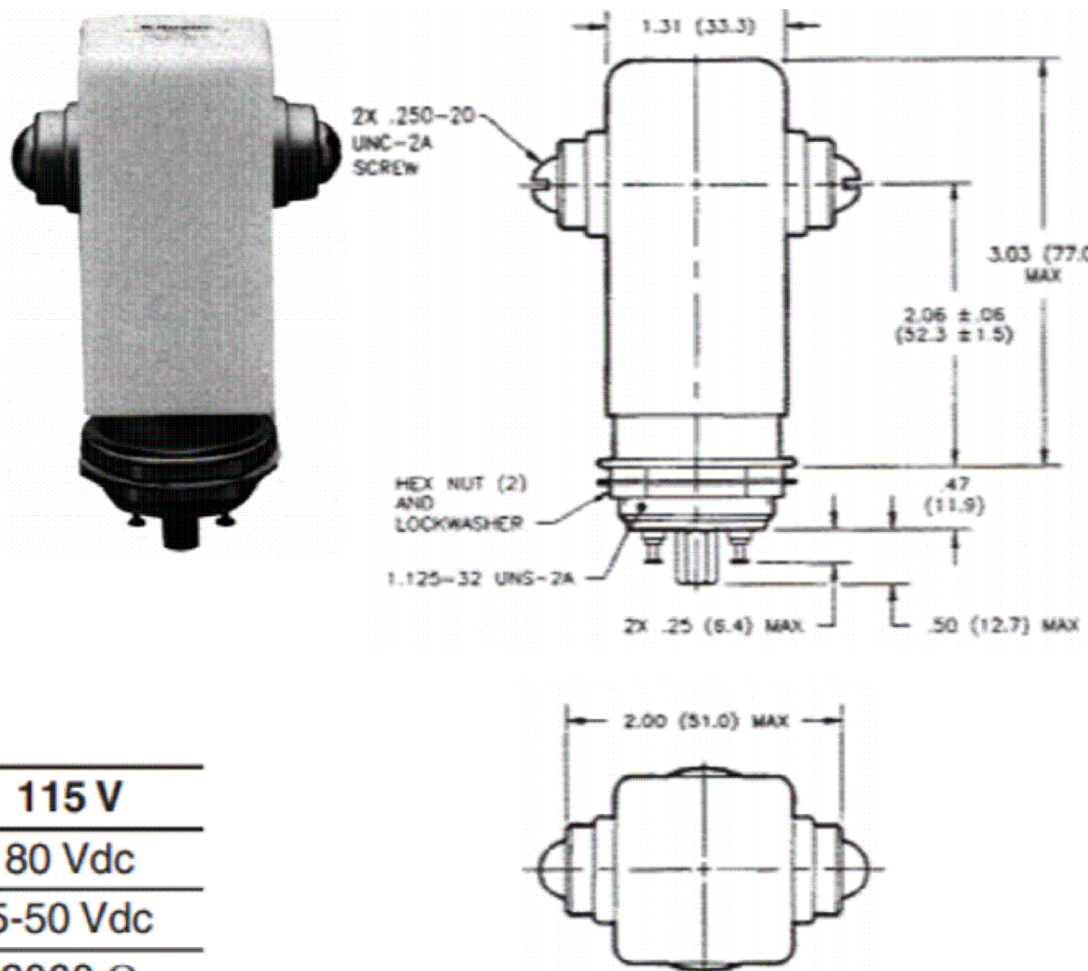
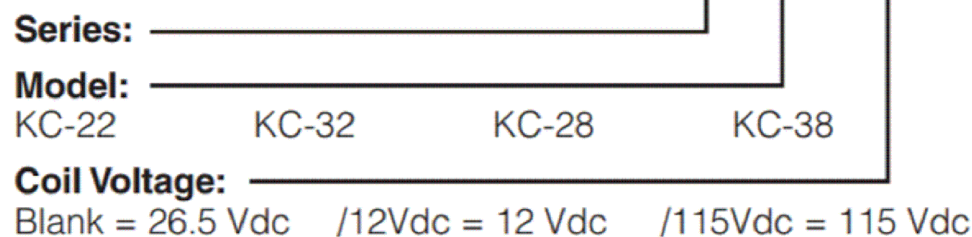
-55°C to +125°C

#### Mechanical Life — 2 million cycles

#### Weight, Nominal — 340 g (12 oz.)

### Ordering Information

#### Sample Part Number ►



### KC-22, KC-32 Make & Break Load Switching

#### Product Facts for KC-22

- Tungsten contacts for power switching

#### Product Facts for KC-32

- Normally closed version of KC-22

- Vacuum dielectric for power switching low current loads

### KC-28, KC-38 Make Only Load Switching

#### Product Facts for KC-28

- SF-6 gas-filled for capacitive discharge and "make only" applications
- Capable of switching 2000 Amps peak capacitive discharge for 400 nanoseconds

#### Product Facts for KC-38

- Normally closed version of KC-28
- SF-6 gas-filled for capacitive discharge and "make only" applications

### Coil Data

Volts, Nominal DC	12 V	26.5 V	115 V
Pickup, Max.	8 Vdc	16 Vdc	80 Vdc
Dropout	.5-5 Vdc	1-10 Vdc	5-50 Vdc
Coil Resistance (±10%)	24 Ω	120 Ω	2000 Ω

Ratings listed are for 25°C, sea level conditions

ALL DIMENSIONS ARE IN INCHES(MM)

THIS DRAWING IS A CONTROLLED DOCUMENT.		DWN VM 25SEP2019	TE Connectivity			
DIMENSIONS: INCHES		CHK RV 25SEP2019				NAME KC-22-28-32-38 SERIES MAKE AND BREAK LOAD SWITCHING
TOLERANCES UNLESS OTHERWISE SPECIFIED:		APVD JR 25SEP2019	PRODUCT SPEC			
0 PLC ± - 1 PLC ± - 2 PLC ± - 3 PLC ± - 4 PLC ± - ANGLES ± -		APPLICATION SPEC	RESTRICTED TO			
MATERIAL		FINISH	WEIGHT	SIZE A3	CAGE CODE	DRAWING NO. C-KC-SERIES
CUSTOMER DRAWING			SCALE NTS	SHEET 1 OF 1	REV A	