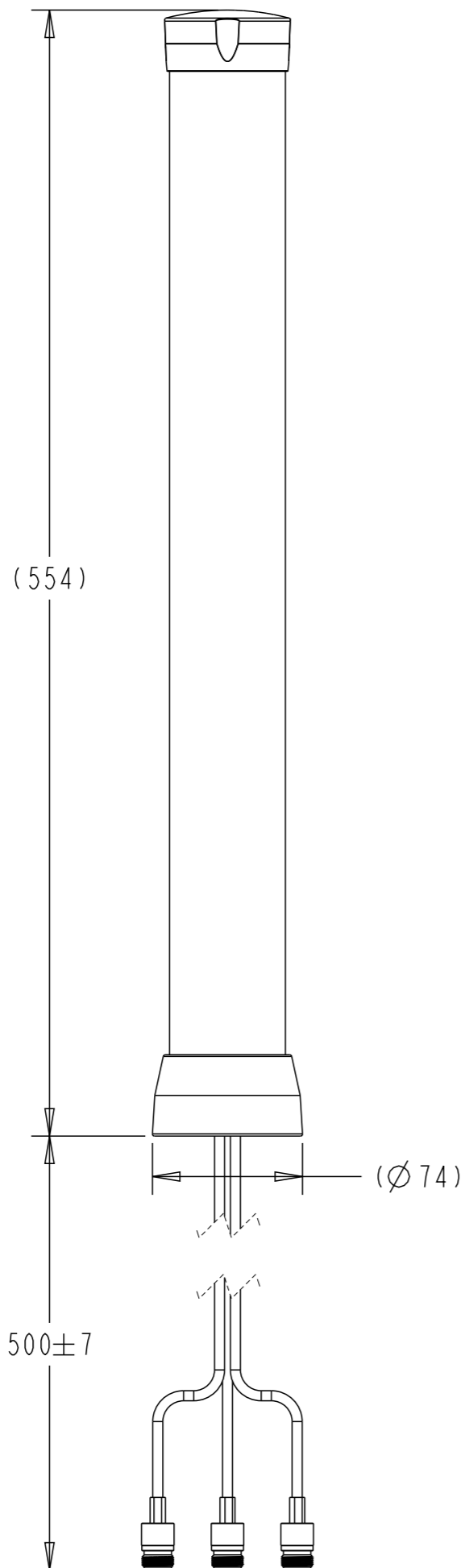


REVISIONS

*Note: VSWR data is measured with the antenna installed on the mounting bracket
**Note: Simulation data

| P | LTR | DESCRIPTION | DATE | DWN | APVD |
|---|-----|---------------|-----------|-----|------|
| | A | ECN-23-199917 | 23FEB2023 | CYH | WTN |
| | A2 | ECN-23-222705 | 18JUL2023 | CYH | WTN |



| Parameter | Performance | | | |
|----------------------------|-------------------------|------------------------|------------------------|------------------------|
| Part Number | OPT61603G-50NF | | | |
| TCPN | L000320-04 | | | |
| Frequency Bands, MHz | 617-960 | 1427-2700 | 3300-4800 | 4900-6000 |
| Peak Gain, dBi (Max) | 2.93 | 5.63 | 3.83 | 3.77 |
| Total Efficiency (Average) | 77% | 78% | 63% | 63% |
| VSWR (Average)* | <2.5:1 | | | |
| ECC** | <0.1 | | | |
| Nominal Impedance | 50 Ohm | | | |
| Polarization | Linear, Vertical | | | |
| Azimuth Beam Width | 360°, Omnidirectional | | | |
| Input Power, Max | 10W | | | |
| Operating Temperature | -40°C ~ +85°C | | | |
| Storage Temperature | -40°C ~ +85°C | | | |
| Weight (Without mounting) | 590g | | | |
| RF Connector | N-Type, Female | | | |
| Radome | Polycarbonate, UV | | | |
| Cap & Base | ASA, UV | | | |
| Color | White | | | |
| Cable | LMR195 equivalent Black | | | |
| Cable Length | 0.5m | | | |
| Wind Rating (Survival) | 110mph | | | |
| Ingression Protection | IP67 | | | |
| Material Compliance | RoHS | | | |
| GNSS SPEC | | | | |
| Frequency, MHz | 1559-1610 | | | |
| Passive Gain | 5dBic | | | |
| Active Gain | 32dBic | | | |
| LNA Gain | 28±3dB | | | |
| Noise Figure | ≤2.5dB | | | |
| OOB Rejection | 698-960MHz >80dBc | 1428-1511MHz >80dBc | 1710-2700MHz >80dBc | 4900-5800MHz >80dBc |
| Input Max Power | 10dBm | | | |
| Current Consumption | 8.5±3mA (at 3.0V) | | | |
| DC Voltage | 2.5~7V | | | |

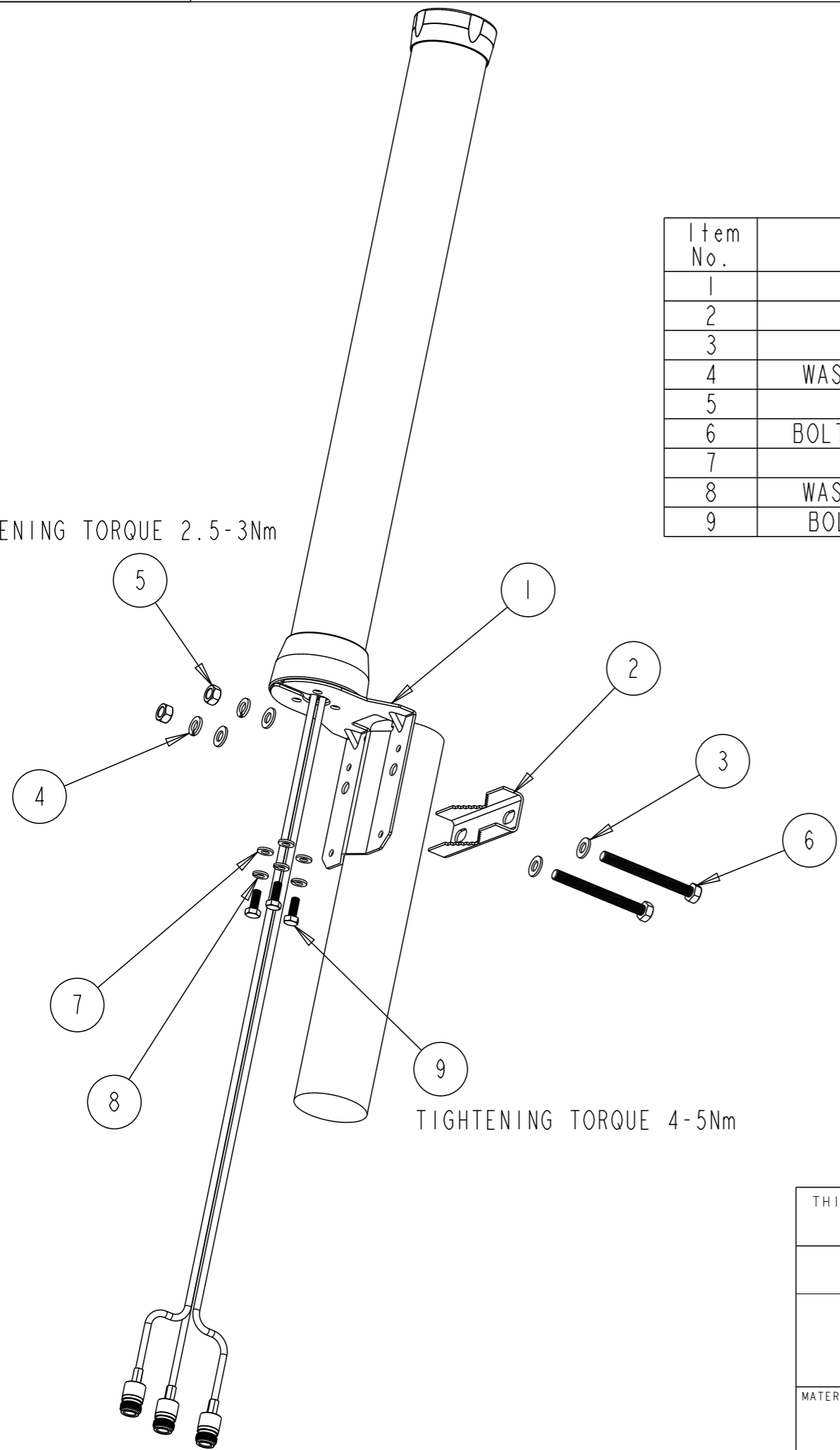


| | | | | | |
|---|--|------------------|-------------|--|--------------|
| THIS DRAWING IS A CONTROLLED DOCUMENT. | | DWN CY HANG | 23FEB2023 | | |
| DIMENSIONS: mm | | CHK WT NG | 23-FEB-2023 | | |
| TOLERANCES UNLESS OTHERWISE SPECIFIED: | | APVD WT NG | 23-FEB-2023 | NAME OMNI, 2x2 MIMO BATON 617-960/1427-6000MHZ | |
| 0 PLC ±0.25 1 PLC ±0.13 2 PLC ±0.13 3 PLC ± 4 PLC ± ANGLES ±0. | | PRODUCT SPEC | 108-160799 | SIZE A3 | |
| MATERIAL | | APPLICATION SPEC | - | CAGE CODE | 00779 |
| FINISH | | WEIGHT | - | DRAWING NO | ©-L000320-04 |
| | | CUSTOMER DRAWING | | RESTRICTED TO | - |
| | | SCALE 1:10 | | SHEET 1 OF 3 | REV A2 |

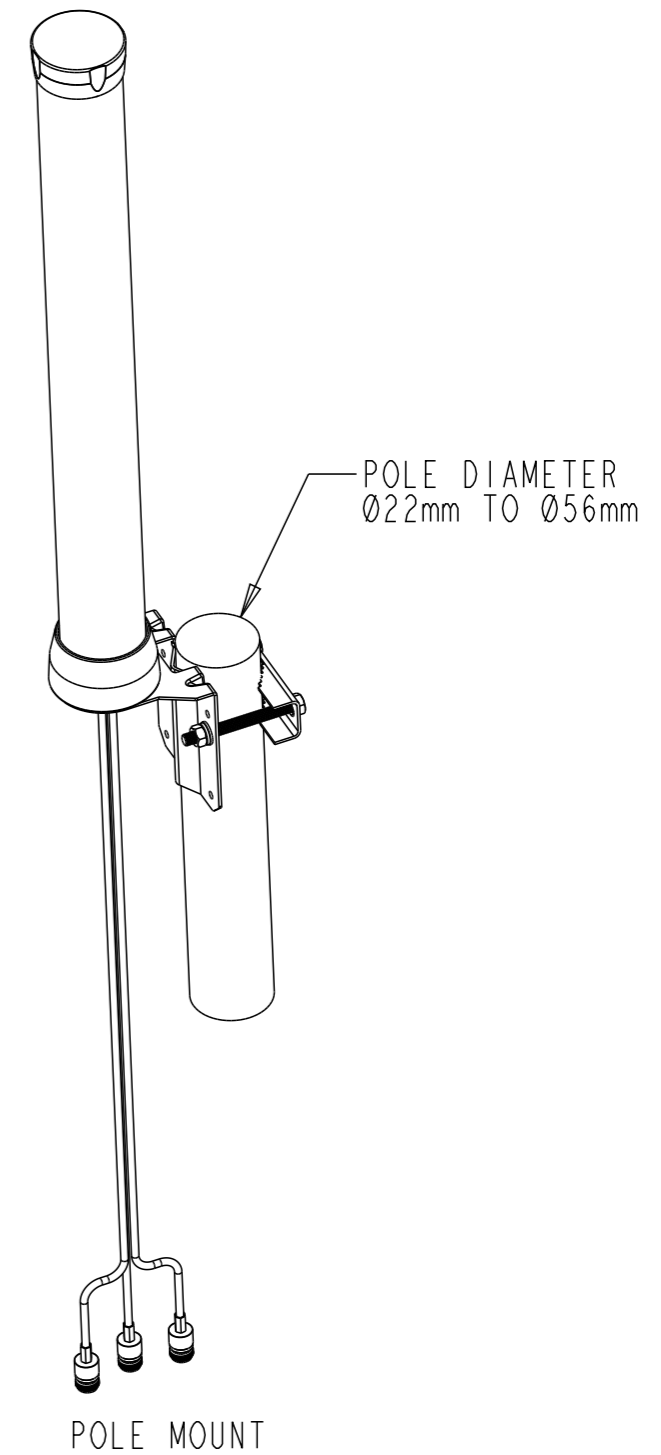
| P | LTR | DESCRIPTION | DATE | DWN | APVD |
|---|-----|-------------|------|-----|------|
| | | | | | |

| Item No. | DESCRIPTION | QUANTITY |
|----------|------------------------|----------|
| 1 | MOUNT BRACKET | 1 |
| 2 | POLE CLAMP | 1 |
| 3 | WASHER, FLAT M8 | 4 |
| 4 | WASHER, SPLIT LOCK M8 | 2 |
| 5 | NUT, HEX M8x1.25 | 2 |
| 6 | BOLT, HEX M8x1.25x80mm | 2 |
| 7 | WASHER, FLAT M6 | 3 |
| 8 | WASHER, SPLIT LOCK M6 | 3 |
| 9 | BOLT, HEX M6x1x16mm | 3 |

TIGHTENING TORQUE 2.5-3Nm



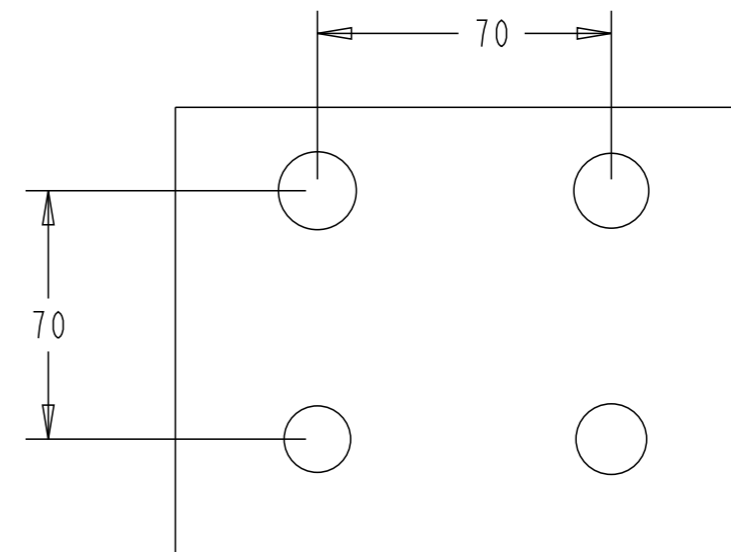
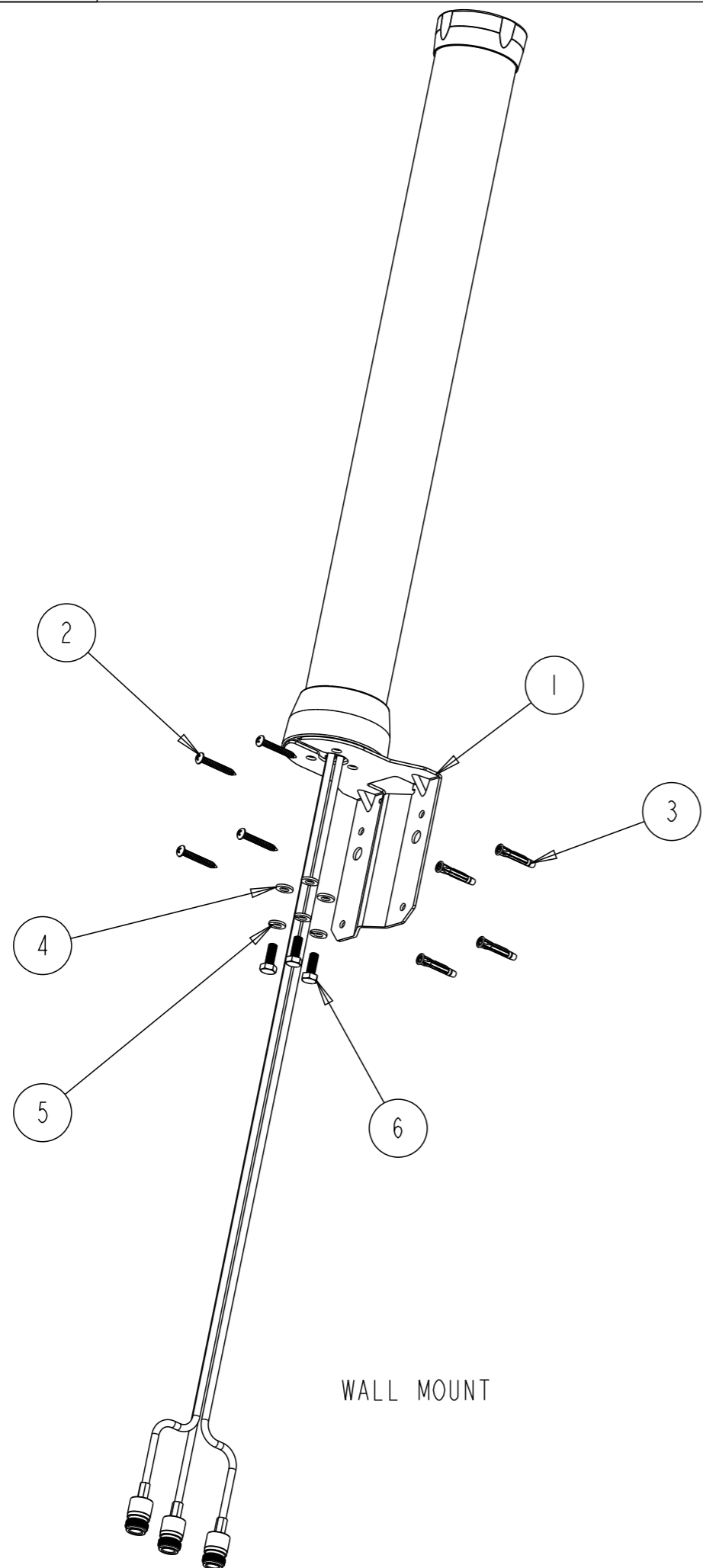
TIGHTENING TORQUE 4-5Nm



| | | | | | |
|---|--|----------------------------|-----------------------|--|--------------------|
| THIS DRAWING IS A CONTROLLED DOCUMENT. | | DWN CY HANG | 23FEB2023 | TE Connectivity | |
| DIMENSIONS: mm | | CHK WT NG | 23-FEB-2023 | | |
| TOLERANCES UNLESS OTHERWISE SPECIFIED: | | APVD WT NG | 23-FEB-2023 | NAME OMNI, 2x2 MIMO BATON 617-960/1427-6000MHZ | |
| 0 PLC ± 1 PLC ±0.25 2 PLC ±0.13 3 PLC ± 4 PLC ± ANGLES ± | | PRODUCT SPEC 108-160799 | APPLICATION SPEC - | | RESTRICTED TO - |
| MATERIAL | | FINISH - | WEIGHT - | SIZE A3 | CAGE CODE 00779 |
| CUSTOMER DRAWING | | | SCALE 1:10 | DRAWING NO C=L000320-04 | SHEET 2 OF 3 |
| | | | | | REV A2 |

| P | LTR | DESCRIPTION | DATE | DWN | APVD |
|---|-----|-------------|------|-----|------|
| | | | | | |

| Item No. | DESCRIPTION | QUANTITY |
|----------|--------------------------------|----------|
| 1 | MOUNT BRACKET | 1 |
| 2 | SCREW, PHILIP 8-18x1-1/4 | 4 |
| 3 | ANCHOR, TWIST ACTION 6-8x1-1/4 | 4 |
| 4 | WASHER, FLAT M6 | 3 |
| 5 | WASHER, SPLIT LOCK M6 | 3 |
| 6 | BOLT, HEX M6x1x16mm | 3 |



WALL HOLE DIMENSION

WALL MOUNT

| | | | | | |
|--|--|------------------|-------------|--|------------|
| THIS DRAWING IS A CONTROLLED DOCUMENT. | | DWN CY HANG | 23FEB2023 | | |
| DIMENSIONS: mm | | CHK WT NG | 23-FEB-2023 | | |
| TOLERANCES UNLESS OTHERWISE SPECIFIED: | | APVD WT NG | 23-FEB-2023 | NAME OMNI, 2x2 MIMO BATON 617-960/1427-6000MHZ | |
| 0 PLC ±- | | PRODUCT SPEC | 108-160799 | SIZE | |
| 1 PLC ±0.25 | | APPLICATION SPEC | - | CAGE CODE | DRAWING NO |
| 2 PLC ±0.13 | | WEIGHT | - | A3 | 00779 |
| 3 PLC ± | | CUSTOMER DRAWING | - | C=L000320-04 | |
| 4 PLC ± | | SCALE | 1:10 | SHEET 3 OF 3 | |
| ANGLES ± | | RESTRICTED TO | - | REV A2 | |
| FINISH | | | | | |