

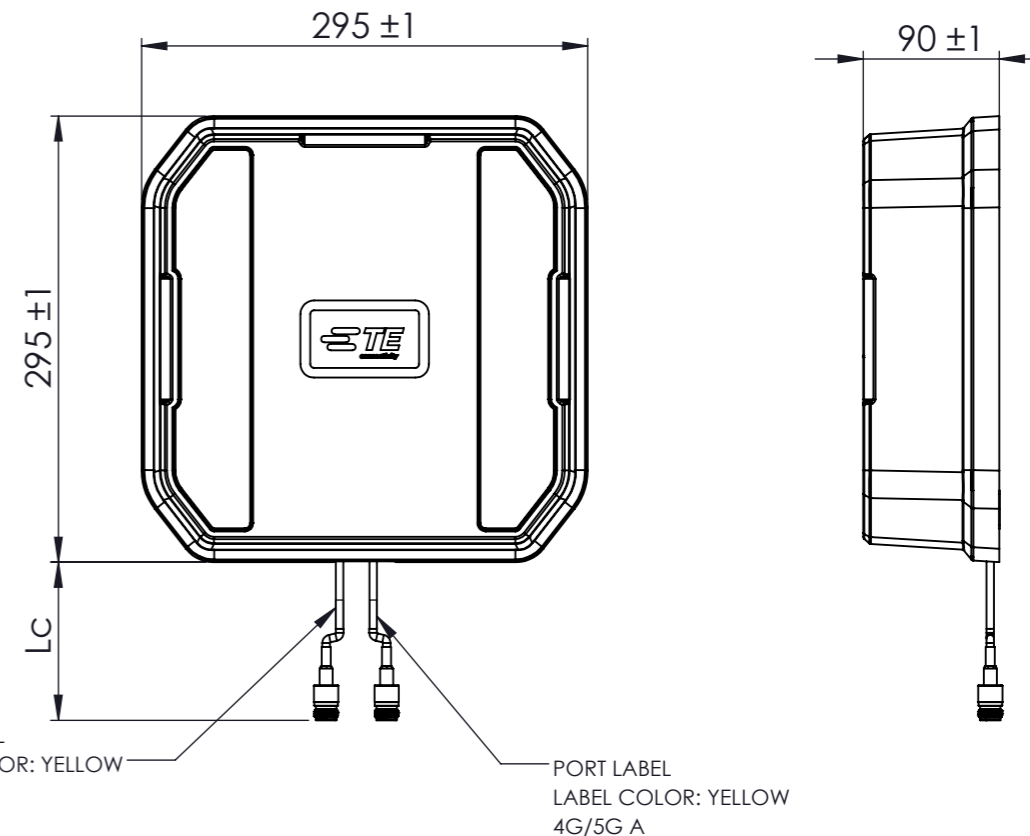
REVISIONS

REV	DESCRIPTION	DATE	DWN	APVD
-----	-------------	------	-----	------

ANTENNA SPECIFICATIONS							
Antenna Model	L000379-01						
Number of Ports	2 (2x- 3G/LTE/4G/5G Cellular)						
Port Configuration	2x- 3G/LTE/4G/ISM/CBRS (Cellular)						
Frequency Bands (MHz)	617-698	698-960	1427-1522	1690-2700	3300-4200	4400-6000	
Peak Gain Ave. (dBi)*	7.3	8.6	7.1	7.8	9.4	8.3	
Peak Gain Max. (dBi)*	8.4	9.1	7.4	9.1	10.6	10	
Total Efficiency Ave.*	66	74	80	74	68	62	
VSWR Max.*	< 3.0:1	< 2.4:1	< 1.9:1	< 2.5:1	< 2.4:1	< 2.4:1	
VSWR Ave.*	< 2.2:1	< 1.5:1	< 1.3:1	< 1.6:1	< 1.5:1	< 1.4:1	
VSWR Max.**	< 2.5:1	< 1.8:1	< 1.4:1	< 1.7:1	< 1.6:1	< 1.5:1	
VSWR Ave.**	< 1.7:1	< 1.3:1	< 1.1:1	< 1.3:1	< 1.2:1	< 1.1:1	
Isolation Max. (dB)*	23	20	20	20	20	14	
Isolation Ave. (dB)*	35	36	42	37	37	26	
Isolation Max. (dB)**	30	20	30	25	22	24	
Isolation Ave. (dB)**	50	48	45	42	45	36	
3dB beamwidth Ave. @ Azimuth*	70°	63°	74°	70°	47°	62°	
3 dB beamwidth @ Azimuth*	68°-71°	52°-68°	69°-78°	43°-86°	39°-59°	34°-104°	
3dB beamwidth Ave. @ Elevation*	66°	60°	75°	70°	47°	64°	
3 dB beamwidth @ Elevation*	64°-67°	52°-66°	71°-78°	40°-90°	38°-60°	36°-109°	
Gain Variation/Ripple (dB)*	1.7	1.2	0.6	3.1	3.5	4.6	
Sidelobes (dB)* @ Azimuth and Elevation	23	15	18	15	7	3	
Front to Back Ratio (dB)* @ Azimuth and Elevation	31	28	31	25	22	15	
Max Power – Ambient 25°C (W)	5						
Nominal Impedance	50 Ω						
Polarization	Linear Slant (±45°)						
Connector Type	N-Female						
Weight, g (lbs)	1.50 kg						
Cables Length, m	0.3m						
Dimensions – Height x Width x Depth – m	295 x 295 x 90 (11.61 x 11.61 x 3.54)						
Cable	LMR195-equivalent						
Radome Material	PC, UL94-V0						
Radome Color	White						
Mounting Type	Fixed Bracket						
Operating Temperature, °C (°F)	-40 to +85 (-40 to 185)						
Storage Temperature, °C (°F)	-40 to +85 (-40 to 185)						
Ingression Protection	IP67						
Wind Velocity (MPH)- Operational	100 mph						
Wind Velocity (MPH)- Survival	155 mph						
Mechanical Shock Rating	IEC 60068-2-27, Structural Integrity of Mountings						
Vibration Test Rating	IEC 60068-2-64, Stationary Installation, Category 3						
Impact Resistance	IK-8						

* Measured with 0.3m length, 0.195in. diameter cable (N-Type Female connector)

** Measured with 5.0m length, 0.195in. diameter cable (SMA-Male connector)

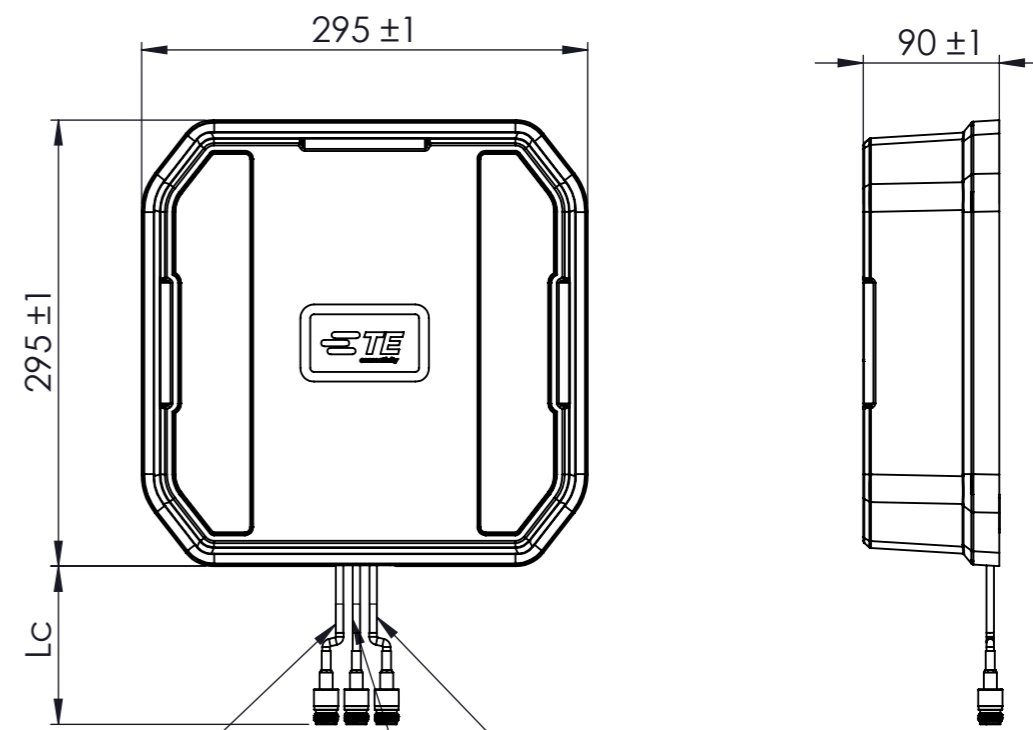


THIS DRAWING IS A CONTROLLED DOCUMENT.		DWN YJ TEQH			
		CHK WT NG			
DIMENSIONS:		TOLERANCES UNLESS OTHERWISE SPECIFIED:		NAME	
mm		0 PLC ±0.5		PANEL ANTENNA	
		1 PLC ±		MOUNTING AND OUTLINE	
		2 PLC ±		SIZE	
		3 PLC ±		CAGE CODE	
		4 PLC ±		DRAWING NO	
MATERIAL		FINISH		RESTRICTED TO	
-		-		A300779 C=L000379	
-		-		SCALE 1:5 SHEET 1 OF 6 REV A1	
CUSTOMER DRAWING					

REVISIONS

REV	DESCRIPTION	DATE	DWN	APVD
A	SEE SHEET 1	05JAN24	YJT	WTN

ANTENNA SPECIFICATIONS							
Antenna Model	L000379-02						
Number of Ports	3 (2x- 3G/LTE/4G/5G Cellular, 1x- L1 GNSS)						
Port Configuration	2x- 3G/LTE/4G/ISM/CBRS (Cellular)						
Frequency Bands (MHz)	617-698	698-960	1427-1522	1690-2700	3300-4200	4400-6000	
Peak Gain Ave. (dBi)*	7.3	8.6	7.1	7.8	9.4	8.3	
Peak Gain Max. (dBi)*	8.4	9.1	7.4	9.1	10.6	10	
Total Efficiency Ave.*	66	74	80	74	68	62	
VSWR Max.*	< 3.0:1	< 2.4:1	< 1.9:1	< 2.5:1	< 2.4:1	< 2.4:1	
VSWR Ave.*	< 2.2:1	< 1.5:1	< 1.3:1	< 1.6:1	< 1.5:1	< 1.4:1	
VSWR Max.**	< 2.5:1	< 1.8:1	< 1.4:1	< 1.7:1	< 1.6:1	< 1.5:1	
VSWR Ave.**	< 1.7:1	< 1.3:1	< 1.1:1	< 1.3:1	< 1.2:1	< 1.1:1	
Isolation Max. (dB)*	23	20	20	20	20	14	
Isolation Ave. (dB)*	35	36	42	37	37	26	
Isolation Max. (dB)**	30	20	30	25	22	24	
Isolation Ave. (dB)**	50	48	45	42	45	36	
3dB beamwidth Ave. @ Azimuth*	70°	63°	74°	70°	47°	62°	
3 dB beamwidth @ Azimuth*	68°-71°	52°-68°	69°-78°	43°-86°	39°-59°	34°-104°	
3dB beamwidth Ave. @ Elevation*	66°	60°	75°	70°	47°	64°	
3 dB beamwidth @ Elevation*	64°-67°	52°-66°	71°-78°	40°-90°	38°-60°	36°-109°	
Gain Variation/Ripple (dB)*	1.7	1.2	0.6	3.1	3.5	4.6	
Sidelobes (dB)* @ Azimuth and Elevation	23	15	18	15	7	3	
Front to Back Ratio (dB)* @ Azimuth and	31	28	31	25	22	15	
Max Power – Ambient 25°C (W)	5						
Nominal Impedance	50 Ω						
Polarization	Linear Slant (±45°)						
Connector Type	N-Female						
Weight, g (lbs)	1.56 kg						
Cables Length, m	0.3m						
Dimensions – Height x Width x Depth – m	295 x 295 x 90 (11.61 x 11.61 x 3.54)						
Cable	LMR195-equivalent						
Radome Material	PC, UL94-V0						
Radome Color	White						
Mounting Type	Fixed Bracket						
Operating Temperature, °C (°F)	-40 to +85 (-40 to 185)						
Storage Temperature, °C (°F)	-40 to +85 (-40 to 185)						
Ingression Protection	IP67						
Wind Velocity (MPH)- Operational	100 mph						
Wind Velocity (MPH)- Survival	155 mph						
Mechanical Shock Rating	IEC 60068-2-27, Structural Integrity of Mountings						
Vibration Test Rating	IEC 60068-2-64, Stationary Installation, Category 3						
Impact Resistance	IK-8						



* Measured with 0.3m length, 0.195in. diameter cable (N-Type Female connector)

** Measured with 5.0m length, 0.195in. diameter cable (SMA-Male connector)

GNSS ANTENNA SPECIFICATIONS		
Port Configuration (Label)	1x- L1 GNSS	
Frequency (MHz)	1559-1610	
Passive Antenna	1561 MHz	-6.6 Typ.
Peak Gain (dBi)*	1575.42 MHz	0.4 Typ.
	1602 MHz	-0.6 Typ.
LNA Gain (dBi)	28 ± 3	
Noise Figure (dB)	≤ 2.5 @ 1575 MHz	
Max VSWR	2.0:1	
Polarization	RHCP	
Nominal Impedance (Ω)	50	
DC Voltage (Vdc)	2.5-7.0	
Current @ DC 3V (mA)	8.5 ± 3	
Input Max Power @ DC 3V (dBm)	10	
Out-of-band	617-698 MHz	> 70
	698-960 MHz	> 80
Rejection (dBc)	1428-1511 MHz	> 80
	1710-2700 MHz	> 80
	3300-4200 MHz	> 70
	4200-4400 MHz	> 80
	4900-5800 MHz	> 70
Cable Type	RG174 + LMR195, Black	
Connector	N-Female	

*Measure with 0.385 m RG174 + 0.4 m LMR195 coax cable.

THIS DRAWING IS A CONTROLLED DOCUMENT.		DWN YJ TEQH		TE Connectivity	
DIMENSIONS:		CHK WT NG			
TOLERANCES UNLESS OTHERWISE SPECIFIED:		APVD WT NG		NAME PANEL ANTENNA MOUNTING AND OUTLINE	
mm		PRODUCT SPEC			
		APPLICATION SPEC		SIZE A3	
MATERIAL		WEIGHT		CAGE CODE 00779	
-		-		DRAWING NO C=L000379	
-		-		RESTRICTED TO	
		CUSTOMER DRAWING		SCALE 1:5	
				SHEET 2 OF 6	
				REV A1	

REVISIONS

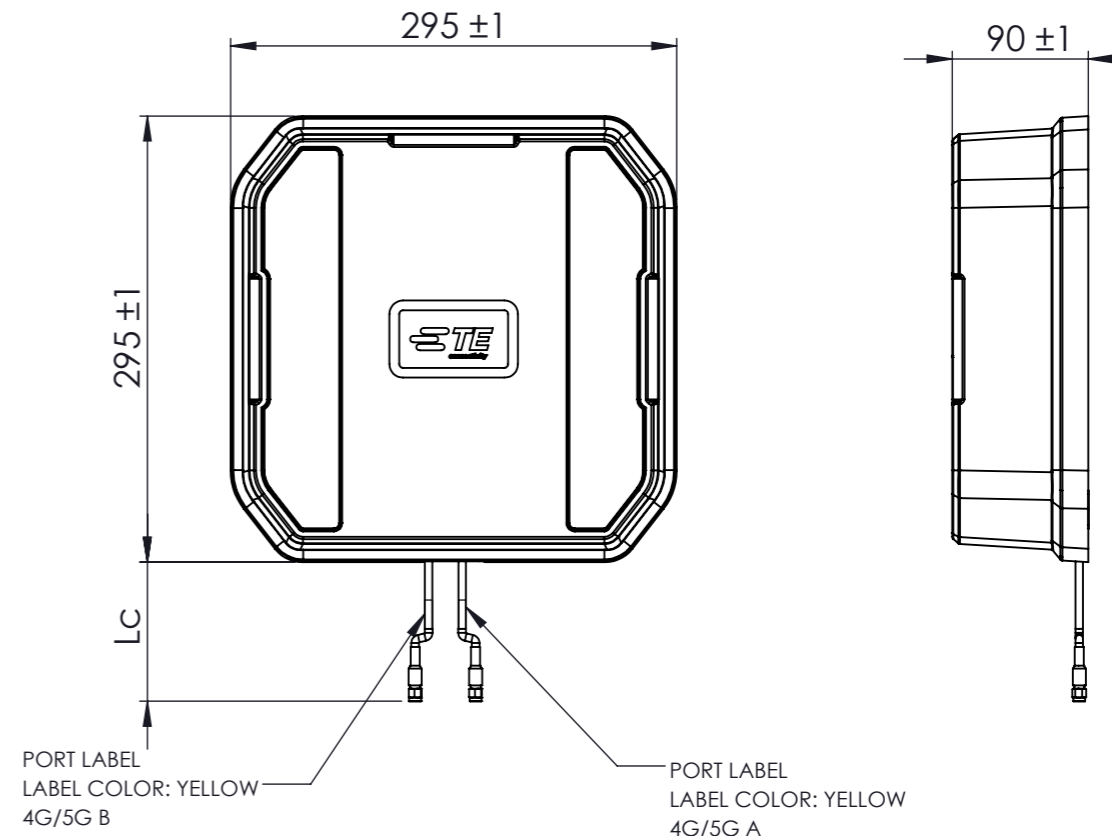
REV	DESCRIPTION	DATE	DWN	APVD
A	SEE SHEET 1	05JAN24	YJT	WTN

ANTENNA SPECIFICATIONS

Antenna Model		L000379-03					
Number of Ports		2 (2x- 3G/LTE/4G/5G Cellular)					
Port Configuration		2x- 3G/LTE/4G/ISM/CBRS (Cellular)					
Frequency Bands (MHz)	617-698	698-960	1427-1522	1690-2700	3300-4200	4400-6000	
Peak Gain Ave. (dBi)*	7.3	8.6	7.1	7.8	9.4	8.3	
Peak Gain Max. (dBi)*	8.4	9.1	7.4	9.1	10.6	10	
Total Efficiency Ave.*	66	74	80	74	68	62	
VSWR Max.*	< 3.0:1	< 2.4:1	< 1.9:1	< 2.5:1	< 2.4:1	< 2.4:1	
VSWR Ave.*	< 2.2:1	< 1.5:1	< 1.3:1	< 1.6:1	< 1.5:1	< 1.4:1	
VSWR Max.**	< 2.5:1	< 1.8:1	< 1.4:1	< 1.7:1	< 1.6:1	< 1.5:1	
VSWR Ave.**	< 1.7:1	< 1.3:1	< 1.1:1	< 1.3:1	< 1.2:1	< 1.1:1	
Isolation Max. (dB)*	23	20	20	20	20	14	
Isolation Ave. (dB)*	35	36	42	37	37	26	
Isolation Max. (dB)**	30	20	30	25	22	24	
Isolation Ave. (dB)**	50	48	45	42	45	36	
3dB beamwidth Ave. @ Azimuth*	70°	63°	74°	70°	47°	62°	
3 dB beamwidth @ Azimuth*	68°-71°	52°-68°	69°-78°	43°-86°	39°-59°	34°-104°	
3dB beamwidth Ave. @ Elevation*	66°	60°	75°	70°	47°	64°	
3 dB beamwidth @ Elevation*	64°-67°	52°-66°	71°-78°	40°-90°	38°-60°	36°-109°	
Gain Variation/Ripple (dB)*	1.7	1.2	0.6	3.1	3.5	4.6	
Sidelobes (dB)* @ Azimuth and Elevation	23	15	18	15	7	3	
Front to Back Ratio (dB)* @ Azimuth and	31	28	31	25	22	15	
Max Power – Ambient 25°C (W)	5						
Nominal Impedance	50 Ω						
Polarization	Linear Slant (±45°)						
Connector Type	SMA-Male						
Weight, g (lbs)	1.85 kg						
Cables Length, m	5m						
Dimensions – Height x Width x Depth – m	295 x 295 x 90 (11.61 x 11.61 x 3.54)						
Cable	LMR195-equivalent						
Radome Material	PC, UL94-V0						
Radome Color	White						
Mounting Type	Fixed Bracket						
Operating Temperature, °C (°F)	-40 to +85 (-40 to 185)						
Storage Temperature, °C (°F)	-40 to +85 (-40 to 185)						
Ingression Protection	IP67						
Wind Velocity (MPH)- Operational	100 mph						
Wind Velocity (MPH)- Survival	155 mph						
Mechanical Shock Rating	IEC 60068-2-27, Structural Integrity of Mountings						
Vibration Test Rating	IEC 60068-2-64, Stationary Installation, Category 3						
Impact Resistance	IK-8						

* Measured with 0.3m length, 0.195in. diameter cable (N-Type Female connector)

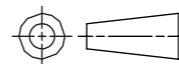
** Measured with 5.0m length, 0.195in. diameter cable (SMA-Male connector)



THIS DRAWING IS A CONTROLLED DOCUMENT.

DIMENSIONS:

mm



TOLERANCES UNLESS OTHERWISE SPECIFIED:

0 PLC	±0.5
1 PLC	±
2 PLC	±
3 PLC	±
4 PLC	±
ANGLES	±°

MATERIAL

-

FINISH

-

DWN	YJ TEQH
CHK	WT NG
APVD	WT NG
PRODUCT SPEC	-
APPLICATION SPEC	-
WEIGHT	-
CUSTOMER DRAWING	

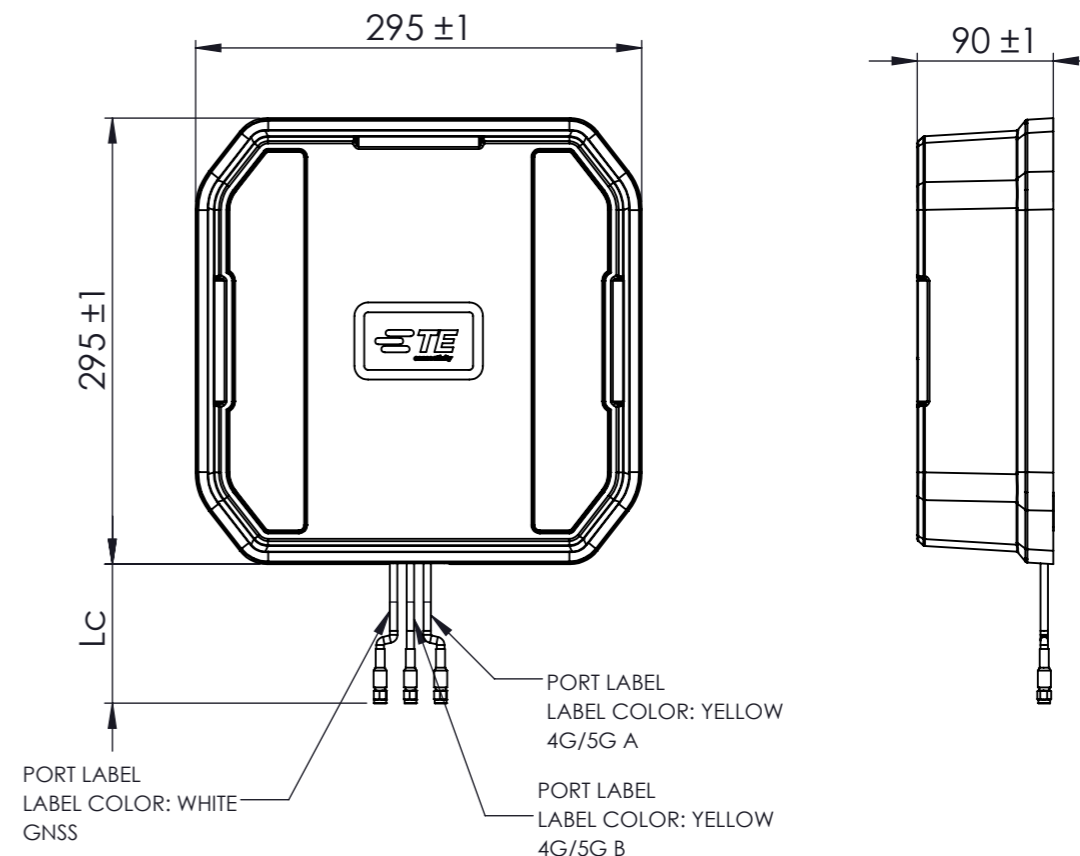


NAME			
PANEL ANTENNA MOUNTING AND OUTLINE			
SIZE	CAGE CODE	DRAWING NO	RESTRICTED TO
A3	00779	C=L000379	
SCALE		SHEET	REV
1:5		3 OF 6	A1

REVISIONS

REV	DESCRIPTION	DATE	DWN	APVD
A	SEE SHEET 1	05JAN24	YJT	WTN

ANTENNA SPECIFICATIONS						
Antenna Model	L000379-04					
Number of Ports	3 (2x- 3G/LTE/4G/5G Cellular, 1x- L1 GNSS)					
Port Configuration	2x- 3G/LTE/4G/ISM/CBRS (Cellular)					
Frequency Bands (MHz)	617-698	698-960	1427-1522	1690-2700	3300-4200	4400-6000
Peak Gain Ave. (dBi)*	7.3	8.6	7.1	7.8	9.4	8.3
Peak Gain Max. (dBi)*	8.4	9.1	7.4	9.1	10.6	10
Total Efficiency Ave.*	66	74	80	74	68	62
VSWR Max.*	< 3.0:1	< 2.4:1	< 1.9:1	< 2.5:1	< 2.4:1	< 2.4:1
VSWR Ave.*	< 2.2:1	< 1.5:1	< 1.3:1	< 1.6:1	< 1.5:1	< 1.4:1
VSWR Max.**	< 2.5:1	< 1.8:1	< 1.4:1	< 1.7:1	< 1.6:1	< 1.5:1
VSWR Ave.**	< 1.7:1	< 1.3:1	< 1.1:1	< 1.3:1	< 1.2:1	< 1.1:1
Isolation Max. (dB)*	23	20	20	20	20	14
Isolation Ave. (dB)*	35	36	42	37	37	26
Isolation Max. (dB)**	30	20	30	25	22	24
Isolation Ave. (dB)**	50	48	45	42	45	36
3dB beamwidth Ave. @ Azimuth*	70°	63°	74°	70°	47°	62°
3 dB beamwidth @ Azimuth*	68°-71°	52°-68°	69°-78°	43°-86°	39°-59°	34°-104°
3dB beamwidth Ave. @ Elevation*	66°	60°	75°	70°	47°	64°
3 dB beamwidth @ Elevation*	64°-67°	52°-66°	71°-78°	40°-90°	38°-60°	36°-109°
Gain Variation/Ripple (dB)*	1.7	1.2	0.6	3.1	3.5	4.6
Sidelobes (dB)* @ Azimuth and Elevation	23	15	18	15	7	3
Front to Back Ratio (dB)* @ Azimuth and Elevation	31	28	31	25	22	15
Max Power – Ambient 25°C (W)	5					
Nominal Impedance	50 Ω					
Polarization	Linear Slant (±45°)					
Connector Type	SMA Male					
Weight, g (lbs)	2.05 kg					
Cables Length, m	5m					
Dimensions – Height x Width x Depth – m	295 x 295 x 90 (11.61 x 11.61 x 3.54)					
Cable	LMR195-equivalent					
Radome Material	PC, UL94-V0					
Radome Color	White					
Mounting Type	Fixed Bracket					
Operating Temperature, °C (°F)	-40 to +85 (-40 to 185)					
Storage Temperature, °C (°F)	-40 to +85 (-40 to 185)					
Ingression Protection	IP67					
Wind Velocity (MPH)- Operational	100 mph					
Wind Velocity (MPH)- Survival	155 mph					
Mechanical Shock Rating	IEC 60068-2-27, Structural Integrity of Mountings					
Vibration Test Rating	IEC 60068-2-64, Stationary Installation, Category 3					
Impact Resistance	IK-8					



* Measured with 0.3m length, 0.195in. diameter cable (N-Type Female connector)

** Measured with 5.0m length, 0.195in. diameter cable (SMA-Male connector)

GNSS ANTENNA SPECIFICATIONS		
Port Configuration (Label)	1x- L1 GNSS	
Frequency (MHz)	1559-1610	
Passive Antenna	1561 MHz	-6.6 Typ.
Peak Gain (dBi)*	1575.42 MHz	0.4 Typ.
	1602 MHz	-0.6 Typ.
LNA Gain (dBi)	28 ± 3	
Noise Figure (dB)	≤ 2.5 @ 1575 MHz	
Max VSWR	2.0:1	
Polarization	RHCP	
Nominal Impedance (Ω)	50	
DC Voltage (Vdc)	2.5-7.0	
Current @ DC 3V (mA)	8.5 ± 3	
Input Max Power @ DC 3V (dBm)	10	
Out-of-band	617-698 MHz	> 70
	698-960 MHz	> 80
Rejection (dBc)	1428-1511 MHz	> 80
	1710-2700 MHz	> 80
	3300-4200 MHz	> 70
	4200-4400 MHz	> 80
	4900-5800 MHz	> 70
Cable Type	RG174 + LMR195, Black	
Connector	SMA Male	

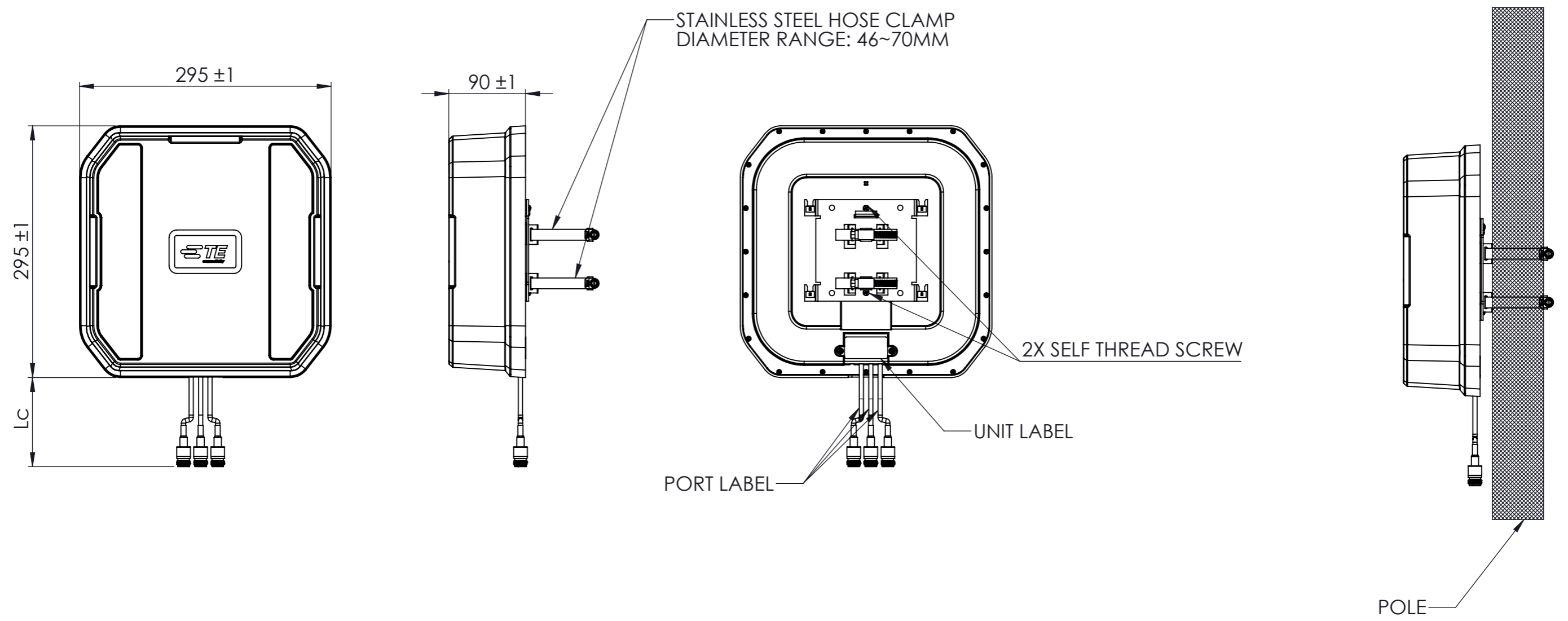
*Measure with 0.385 m RG174 + 0.4 m LMR195 coax cable.

THIS DRAWING IS A CONTROLLED DOCUMENT.		DWN YJ TEQH		TE Connectivity	
DIMENSIONS:		CHK WT NG			
TOLERANCES UNLESS OTHERWISE SPECIFIED:		APVD WT NG		NAME	
mm		PRODUCT SPEC		PANEL ANTENNA MOUNTING AND OUTLINE	
		APPLICATION SPEC		SIZE	
MATERIAL		WEIGHT		CAGE CODE	
-		-		DRAWING NO	
-		-		RESTRICTED TO	
-		-		A300779	
-		-		G=L000379	
-		-		SCALE 1:5	
-		-		SHEET 4 OF 6	
-		-		REV A1	
-		-		CUSTOMER DRAWING	

REVISIONS

REV	DESCRIPTION	DATE	DWN	APVD
A	SEE SHEET 1	05JAN24	YJT	WTN

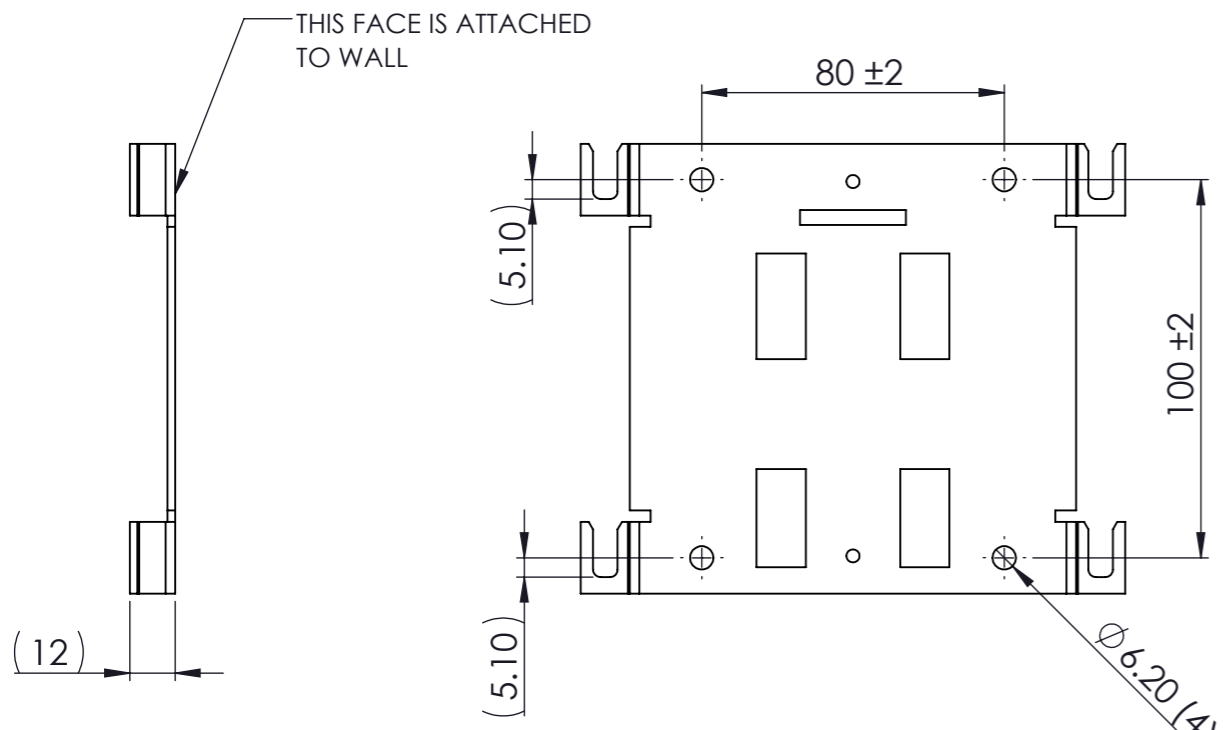
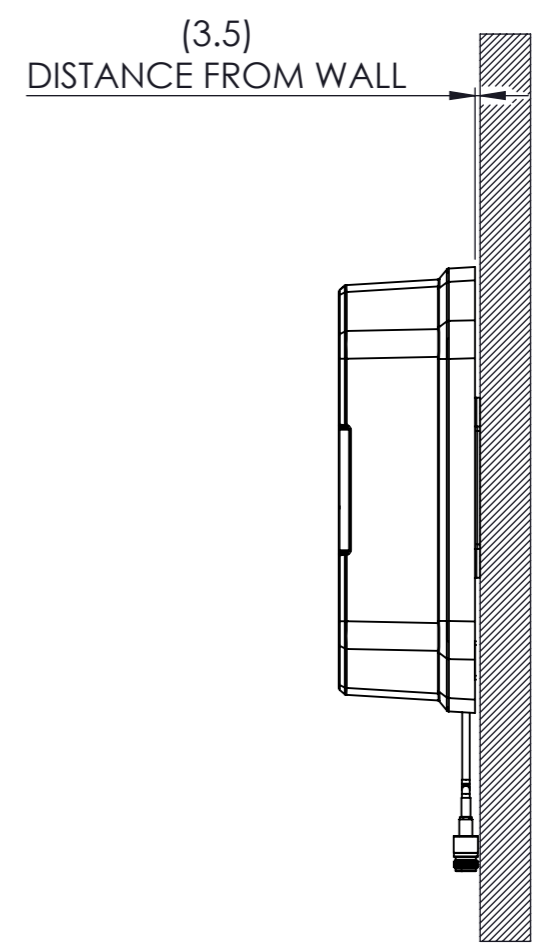
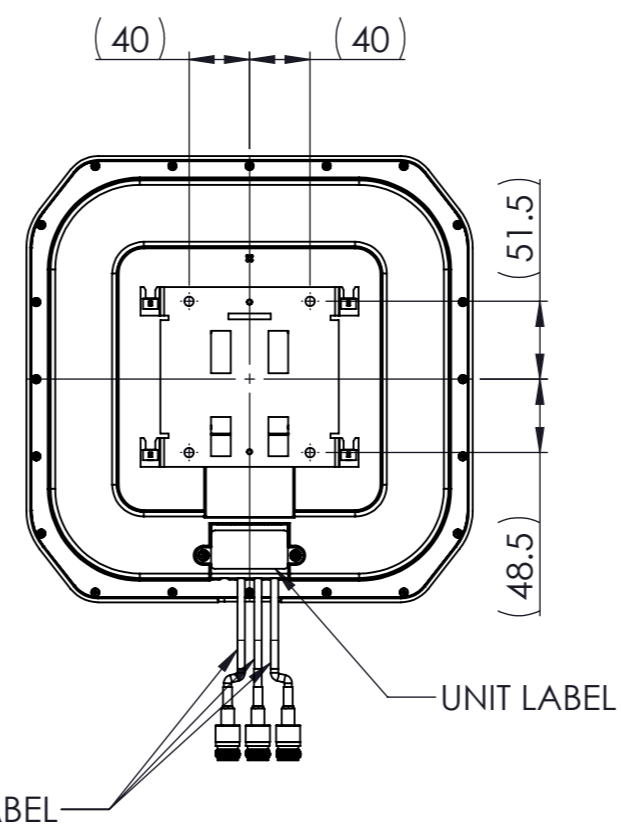
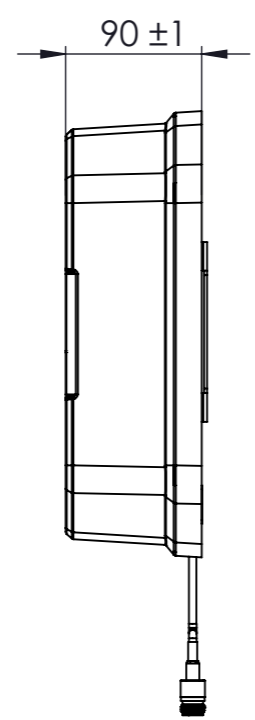
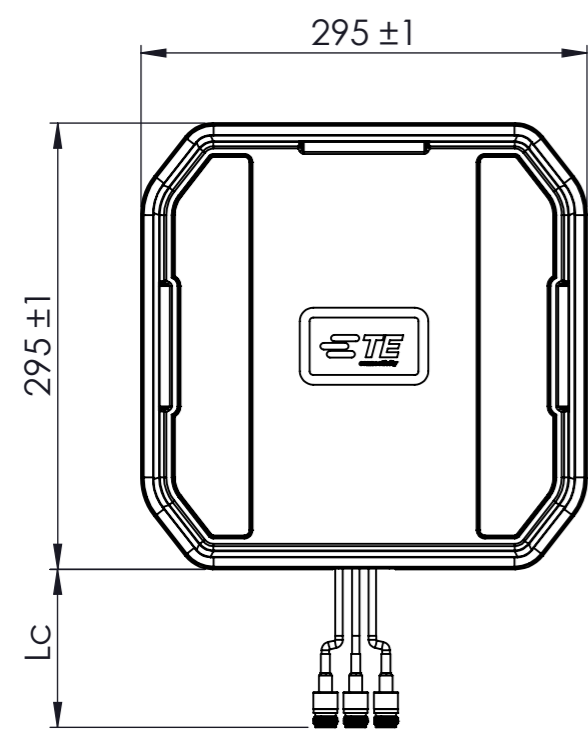
POLE MOUNT:



THIS DRAWING IS A CONTROLLED DOCUMENT.		DWN YJ TEQH		
		CHK WT NG		
DIMENSIONS: mm		APVD WT NG	NAME PANEL ANTENNA MOUNTING AND OUTLINE	
		PRODUCT SPEC	RESTRICTED TO	
TOLERANCES UNLESS OTHERWISE SPECIFIED:		APPLICATION SPEC	SIZE A3	CAGE CODE 00779
0 PLC ±0.5		—	DRAWING NO C=C-L000379	SCALE 1:5
1 PLC ±		—	SHEET 5 OF 6	REV A1
2 PLC ±		—	CUSTOMER DRAWING	
3 PLC ±		—		
4 PLC ±		—		
ANGLES ±°		—		
MATERIAL —		WEIGHT —		
FINISH —				

WALL MOUNT: ANTENNA IS HOOKED UP TO WALL MOUNTING BRACKET

REV	DESCRIPTION	DATE	DWN	APVD
A	SEE SHEET 1	05JAN24	YJT	WTN



LOW PROFILE WALL MOUNTING BRACKET:
DRILLING DIMS AND ORIENTATION

THIS DRAWING IS A CONTROLLED DOCUMENT.		DWN YJ TEDH
DIMENSIONS: mm		CHK WT NG
	TOLERANCES UNLESS OTHERWISE SPECIFIED:	APVD WT NG
	0 PLC ±0.5	PRODUCT SPEC
MATERIAL		APPLICATION SPEC
FINISH		WEIGHT
		CUSTOMER DRAWING

		NAME	
PANEL ANTENNA MOUNTING AND OUTLINE		RESTRICTED TO	
SIZE A3	CAGE CODE 00779	DRAWING NO C=C-L000379	SCALE 1:5
SHEET 6 OF 6		REV A1	