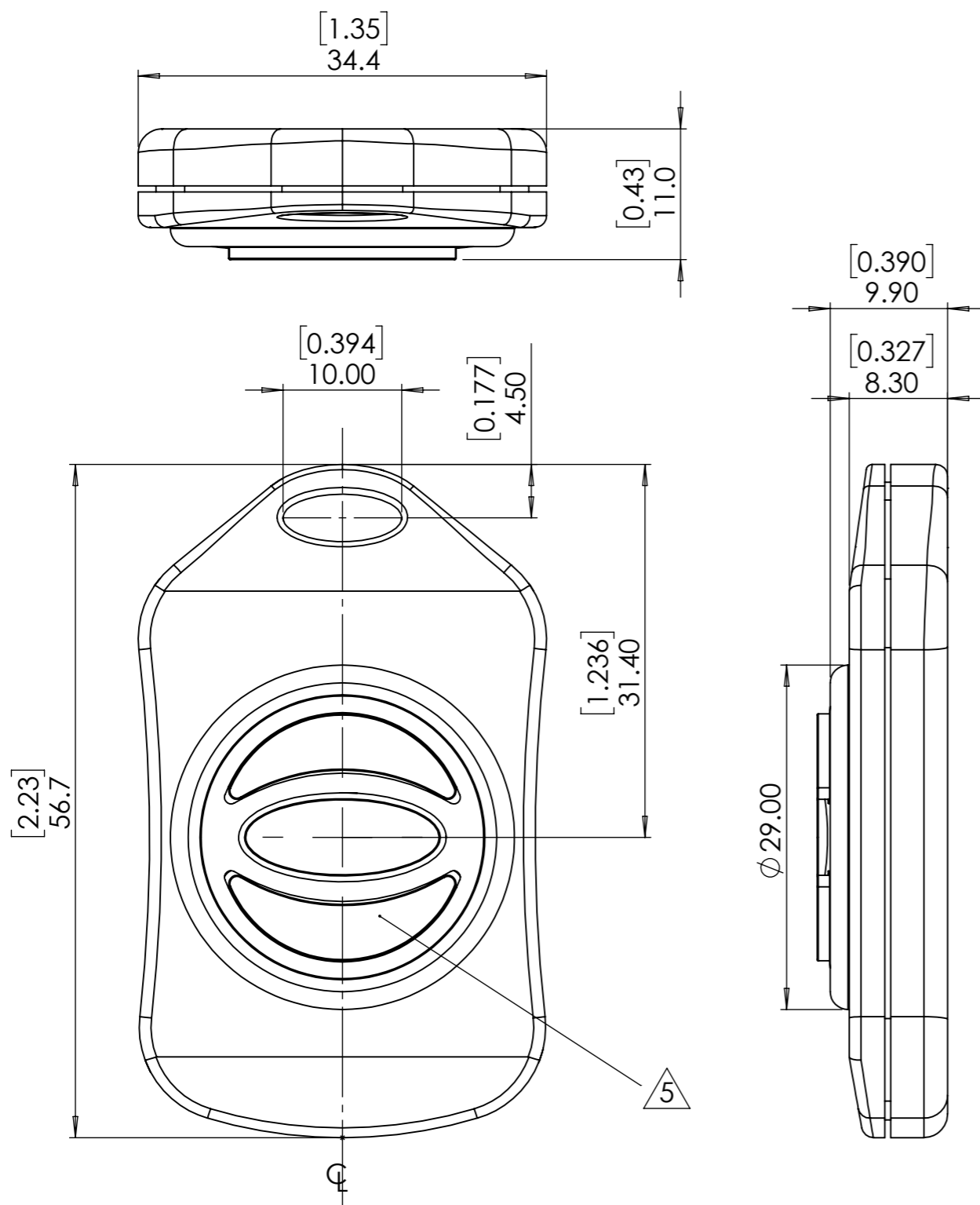


REVISIONS				
REV	DESCRIPTION	DATE	DWN	APVD
A	CUSTOMER DRAWING DRAWING RELEASE	10/13/2023	JH	CM



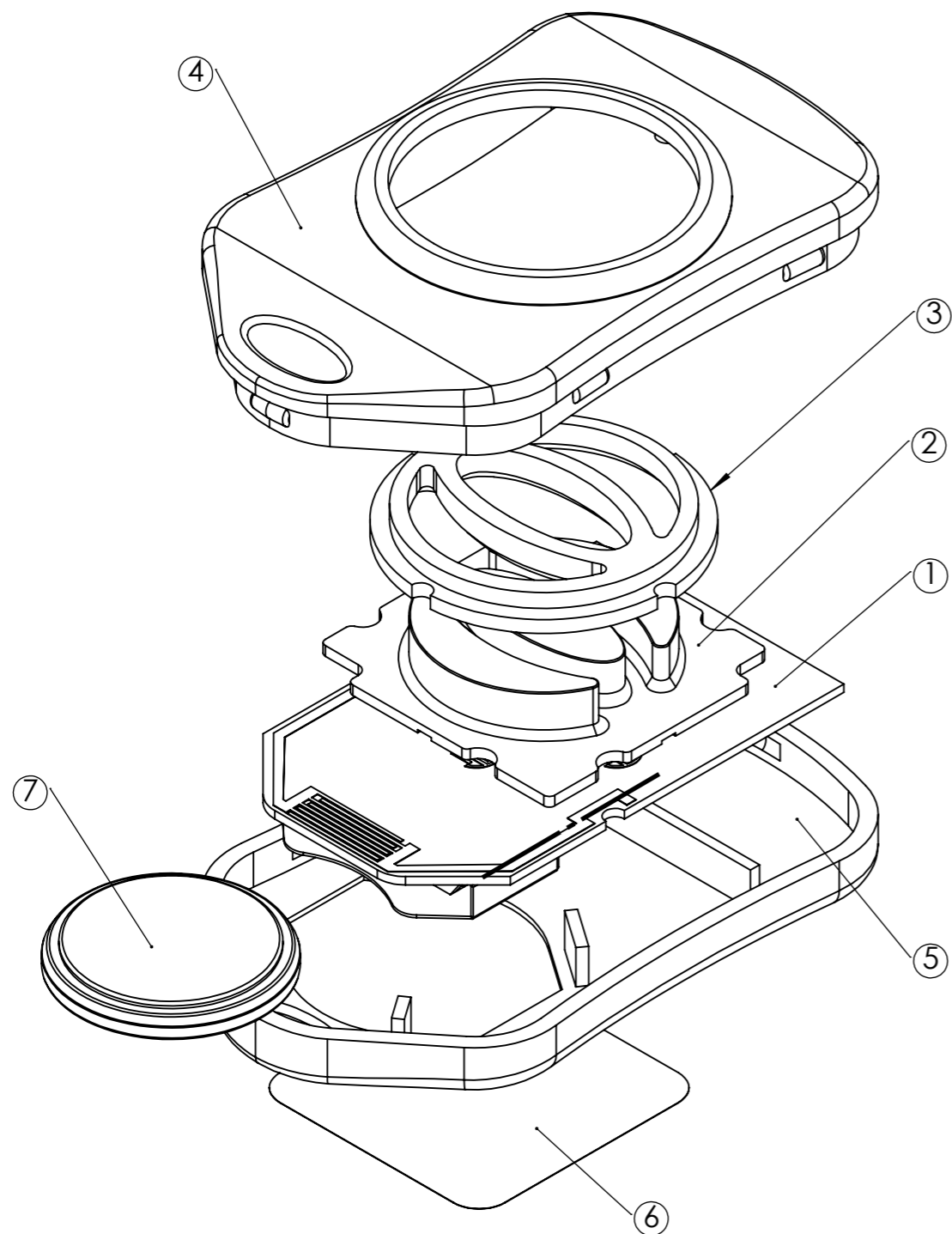
- MANUFACTURE TO BE COMPLIANT WITH EU RoHS DIRECTIVE, USE MATERIALS THAT DO NOT CONTAIN REACH SUBSTANCES OF VERY HIGH CONCERN 1000ppm, AND USE DRC CONFLICT-FREE SOURCED MATERIALS.
 - ELECTRICAL SPECIFICATIONS** ARE SHOWN FOR REFERENCE ONLY. FOR OPERATING, PAIRING AND USAGE INSTRUCTIONS PLEASE SEE TE DATA SHEET AT LATEST REVISION
 - FREQUENCY: SEE TABLE
 - ELECTRONIC ASSEMBLY IAW IPC-A-610
 - FREQUENCY DESIGNATION REPRESENTED BY "FFF".
 - PROGRAMMING FUNCTION INDICATED BY "PP"
 - ENVIRONMENT:**
 - USAGE TEMPERATURE: -40 TO 85°C
 - KEY SWITCH IS INTENDED FOR A THREE FUNCTION REMOTE SEE RELATED PARTS LIST FOR MULTI-FUNCTION VARIATIONS
 - USAGE APPLICATION NOTES:**
 - REPLACE BATTERY WITH CR2032 COIN CELL WHEN APPLICABLE. SEE DATA SHEET FOR METHOD
 - AVOID LEAVING UNIT IN PLACES OF HIGH SOLAR LOADING TO PREVENT DAMAGE.
 - AVOID PLACES OF HIGH CHEMICAL CONTENT SUCH AS CHLORINE OR FUEL/HYDRAULIC VAPOR.
 - UNIT SHOULD NOT EXPERIENCE SIGNIFICANT SHOCK FROM DROPPING TO HARD SURFACES. TOP LOOP IS INTENDED FOR A LANYARD NOT A STEEL KEY RING.
- ⚠ THIS CAN BE A "MADE TO ORDER" OEM PRODUCT. SEE YOUR SALES REPRESENTATIVE FOR DETAILS.
- PACKAGING NOTES:**
- WRAP UNITS IN BUBBLE SLEEVE TO PROTECT FINISH.
 - PACK FLAT 10/ LOT BAG
 - PLACE IN CONTAINER OF 150 UNITS

TABULATION MATRIX

TCPN	DESCRIPTION	PRODUCT REVISION
OTX-418-HH-KF3-DS	REMOTE DS 418MHZ OOK AM 3BTN KF TX FCC	B
OTX-418-HH-KF3-HT	REMOTE HT 418MHZ OOK AM 3BTN KF TX FCC	B
OTX-418-HH-KF3-MS	REMOTE MS 418MHZ OOK AM 3BTN KF TX FCC	B
OTX-433-HH-KF3-DS	REMOTE DS 433MHZ OOK AM 3BTN KF TX FCC	B
OTX-433-HH-KF3-HT	REMOTE HT 433MHZ OOK AM 3BTN KF TX FCC	B
OTX-433-HH-KF3-MS	REMOTE MS 433MHZ OOK AM 3BTN KF TX FCC	B

THIS DRAWING IS A CONTROLLED DOCUMENT.

DIMENSIONS: mm [INCH]	TOLERANCES UNLESS OTHERWISE SPECIFIED: 0 PLC ± 2.0 1 PLC ± 1.0 2 PLC ± .50 3 PLC ± 4 PLC ± ANGLES ± 30'	DWN	10/13/23	TE Connectivity	NAME REMOTE HANDHELD FFFMHz OOK AM 3BTN KF TX FCC
		CHK	10/13/23		
	MATERIAL PC DK-P	APVD	10/13/23		
		FINISH			
		PRODUCT SPEC		SIZE	A3
		APPLICATION SPEC		CAGE CODE	00779
		WEIGHT	0.03 g	DRAWING NO	OTX-FFF-HH-KF3-PP
		CUSTOMER DRAWING		RESTRICTED TO	-
		SCALE	2:1	SHEET	1 OF 2
		REV	A		



LIST OF ITEMS AND MATERIALS	
ITEM	DESCRIPTION
1	OTX TRANSMITTER ASSEMBLY
2	KF3 TRIPPLE ACTIVATION KEY-PAD
3	KF3 TRIPPLE ACTIVATION KEY-PAD INSERT
4	KEY-FOB TRANSMITTER HOUSING TOP
5	KEY-FOB TRANSMITTER HOUSING BTM
6	KEY-FOB FCC IDENTIFICATION LABEL
7	BATCOIN001

THIS DRAWING IS A CONTROLLED DOCUMENT.

DIMENSIONS: mm	TOLERANCES UNLESS OTHERWISE SPECIFIED: 0 PLC 1 PLC SEE SHEET 1 FOR TOLERANCE LIST 2 PLC 3 PLC ± 4 PLC ± ANGLES ± 30'

MATERIAL FINISH

		NAME			
		REMOTE HANDHELD FFFMHz 00K AM 3BTN KF TX FCC			
PRODUCT SPEC	APPLICATION SPEC	SIZE	CAGE CODE	DRAWING NO	RESTRICTED TO
—	—	A3	00779	⊕-OTX-FFF-HH-KF3-PP	—
WEIGHT	0.03 g	SCALE		SHEET	REV
CUSTOMER DRAWING		2:1		2 OF 2	A