

REVISIONS

P	LTR	DESCRIPTION	DATE	DWN	APVD
	A	INITIAL DRAWING	13AUG2019	VM	TN

### Ordering Information

#### Typical Part Number ▶

##### 1. Basic Series:

WD = DIN mount Protective Relay.

##### 2. Type:

25 = Paralleling Relay.

##### 3. Dead Bus:

00 = Double Dead Bus

01 = Single Dead Bus

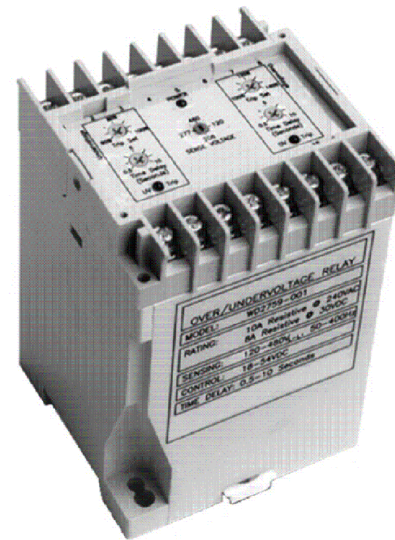
02 = Generator to Generator

##### 4. Control Voltage:

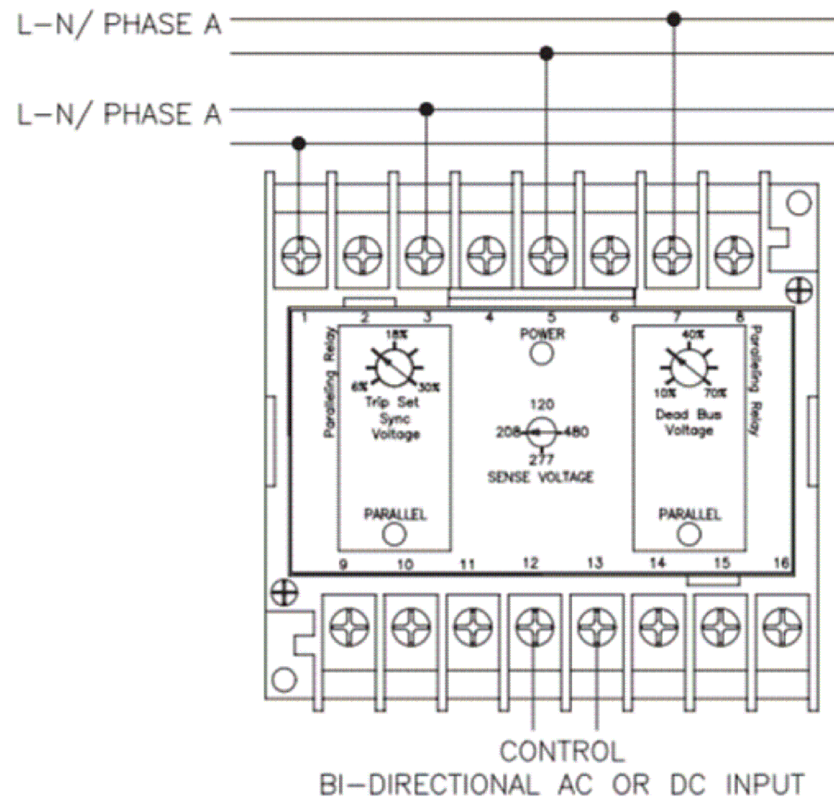
1 = 18 to 54VDC

2 = 13.5 to 32 VDC

3 = 100-200VDC or 100-140VAC.

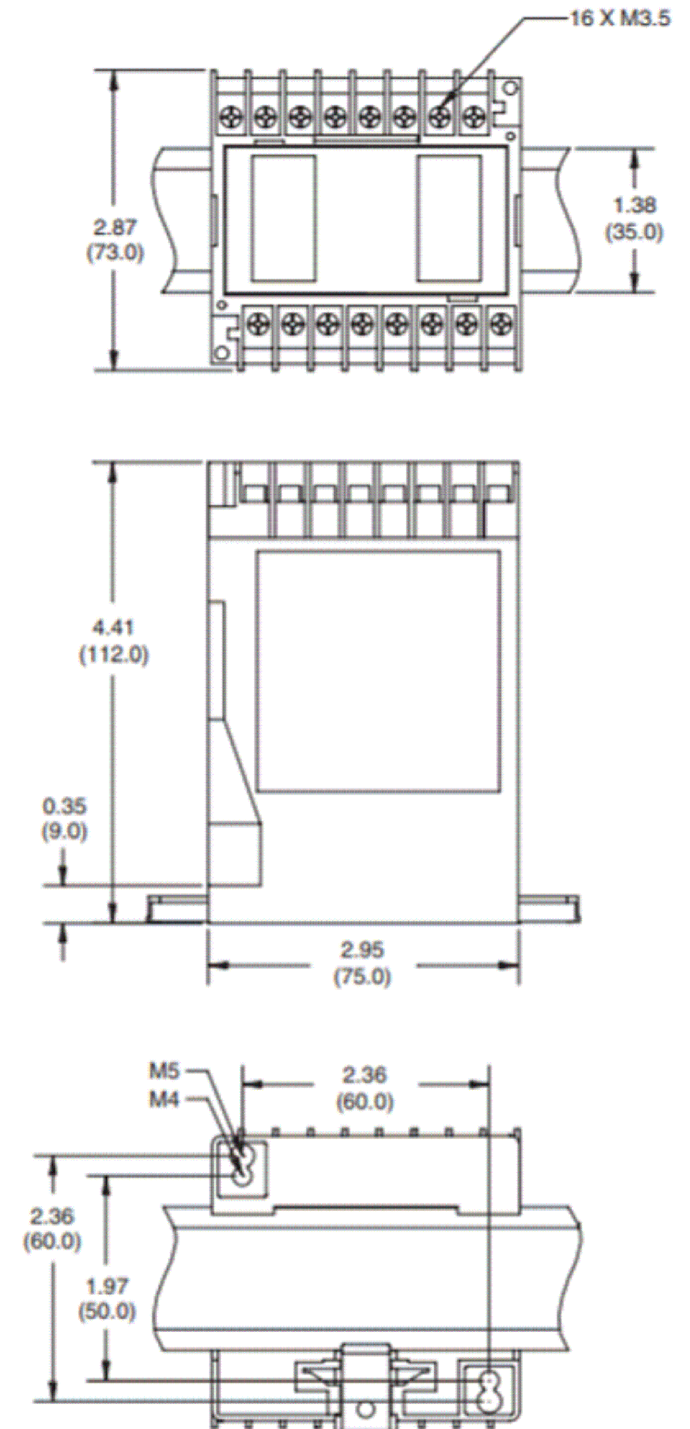


#### WD25 Typical Hookup

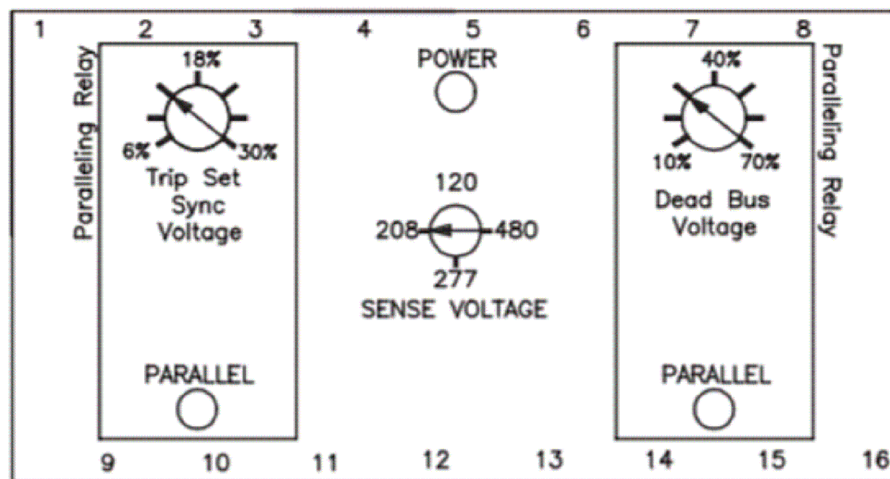


**NOTE:** For single dead bus option, connect the generator to 1 & 3 and the bus to 5 & 7.

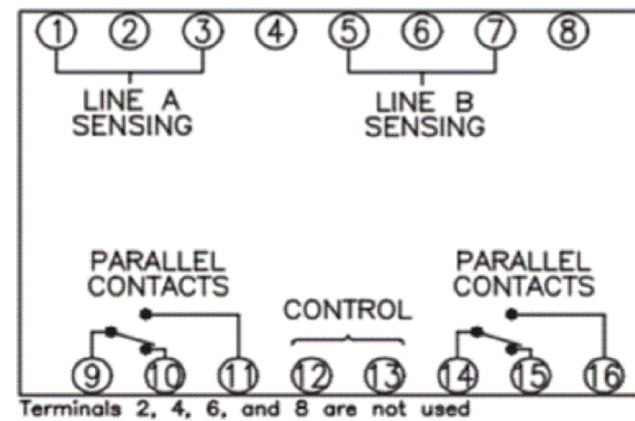
### Outline Dimensions



### WD25 Controls



### WD25 Connections



ALL DIMENSIONS ARE IN INCHES(mm)

THIS DRAWING IS A CONTROLLED DOCUMENT.		DWN	13AUG2019	TE Connectivity	
		VM			
		CHK	13AUG2019		
		RV			
		APVD	13AUG2019	NAME	
		TN		WD25 RELAY, PARALLELING	
DIMENSIONS: INCHES		TOLERANCES UNLESS OTHERWISE SPECIFIED:		PRODUCT SPEC	
		0 PLC	± -	-	
		1 PLC	± -	-	
		2 PLC	± -	-	
		3 PLC	± -	-	
		4 PLC	± -	-	
		ANGLES	± -	-	
MATERIAL		FINISH		APPLICATION SPEC	
-		-		-	
		WEIGHT		SIZE	
		-		A3	
				CAGE CODE	
				-	
				DRAWING NO	
				C-WD25-SERIES	
				RESTRICTED TO	
				-	
		CUSTOMER DRAWING		SCALE	
				NTS	
				SHEET	
				1 OF 1	
				REV	
				A	