

P	LTR	DESCRIPTION	DATE	DWN	APVD
	A	INITIAL DRAWING	14AUG2019	VM	TN

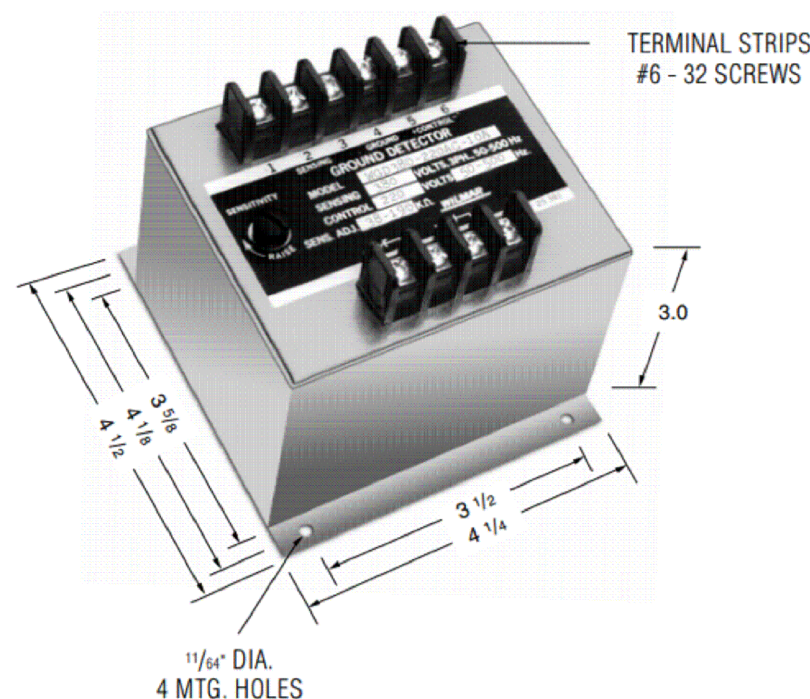
### Ordering Information

Sample Part Number ►

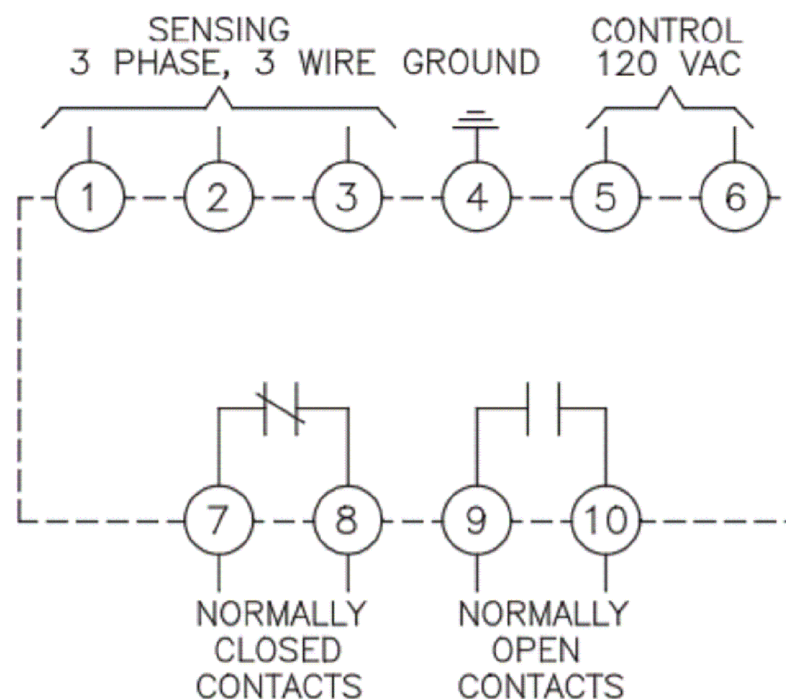
**WGD-**

Type:                      Volts L-L                      Trip Point Adj. Phase to Ground

115-120AC	115	11-55KΩ
120-120AC	120	12-60KΩ
200-120AC	200	20-100KΩ
208-120AC	208	21-105KΩ
220-120AC	220	22-110KΩ
230-120AC	230	23-115KΩ
240-120AC	240	23-115KΩ
380-120AC	380	38-190KΩ
400-120AC	400	40-200KΩ
416-120AC	416	42-210KΩ
440-120AC	440	44-220KΩ
460-120AC	460	46-230KΩ
480-120AC	480	48-240KΩ
525-120AC	525	52-260KΩ
575-120AC	575	57-285KΩ
600-120AC	600	60-300KΩ



Note: Dimensions in inches. Multiply values by 25.4 for dimensions in mm.



PRODUCT SPECIFICATIONS	
Part Number	WGD Series
Sensing Voltage (±10%)	3 phase, 3-wire. See table
Control Voltage	120 Volts AC
Contacts Trip Points (sensitivity)	Screwdriver adjustable. See Table.
Pick-up Time Delay	1.5 seconds approximately
Contact Ratings	5 amp resistive at 120 VAC or 28 VDC
Operating Temperature	-40°C to +65°C
Temperature Effects	± 1% over temperature range
Power Consumption	Sensing: 2 mA/Phase Approx., Control: 2VA at 120VAC
Surge Withstand Capability	In accordance with the requirements of ANS/IEEE

**Notes:**

- Remove screw for access to the pick-up adjustment potentiometer.
- Clockwise rotation of the adjustment potentiometer will raise the relay sensitivity.

THIS DRAWING IS A CONTROLLED DOCUMENT.		DWN VM 14AUG2019	TE Connectivity														
DIMENSIONS: INCHES		CHK RV 14AUG2019				NAME WGD-SERIES FLOATING GROUND											
TOLERANCES UNLESS OTHERWISE SPECIFIED:		APVD TN 14AUG2019	PRODUCT SPEC														
<table border="1"> <tr><td>0 PLC</td><td>± -</td></tr> <tr><td>1 PLC</td><td>± -</td></tr> <tr><td>2 PLC</td><td>± -</td></tr> <tr><td>3 PLC</td><td>± -</td></tr> <tr><td>4 PLC</td><td>± -</td></tr> <tr><td>ANGLES</td><td>± -</td></tr> </table>		0 PLC	± -	1 PLC	± -	2 PLC	± -	3 PLC	± -	4 PLC	± -	ANGLES	± -	APPLICATION SPEC	RESTRICTED TO		
0 PLC	± -																
1 PLC	± -																
2 PLC	± -																
3 PLC	± -																
4 PLC	± -																
ANGLES	± -																
MATERIAL		WEIGHT -	SIZE A3	CAGE CODE -	DRAWING NO. C-WGD-SERIES												
FINISH -		CUSTOMER DRAWING		SCALE NTS	SHEET 1 OF 1												
				REV A													