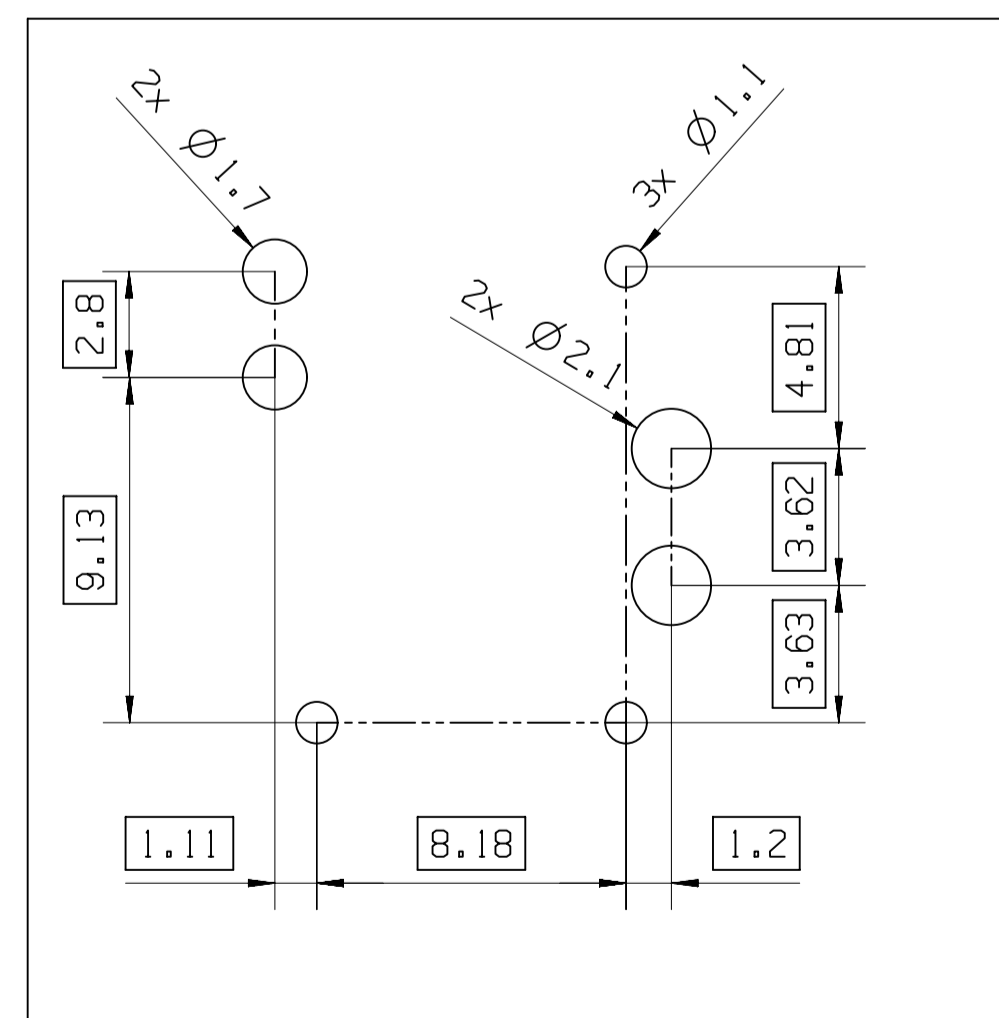
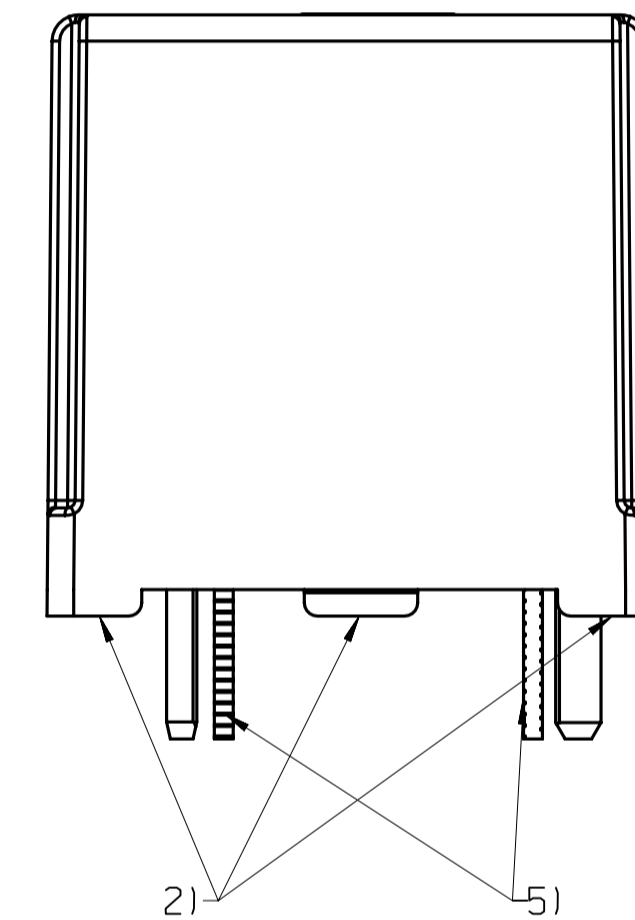
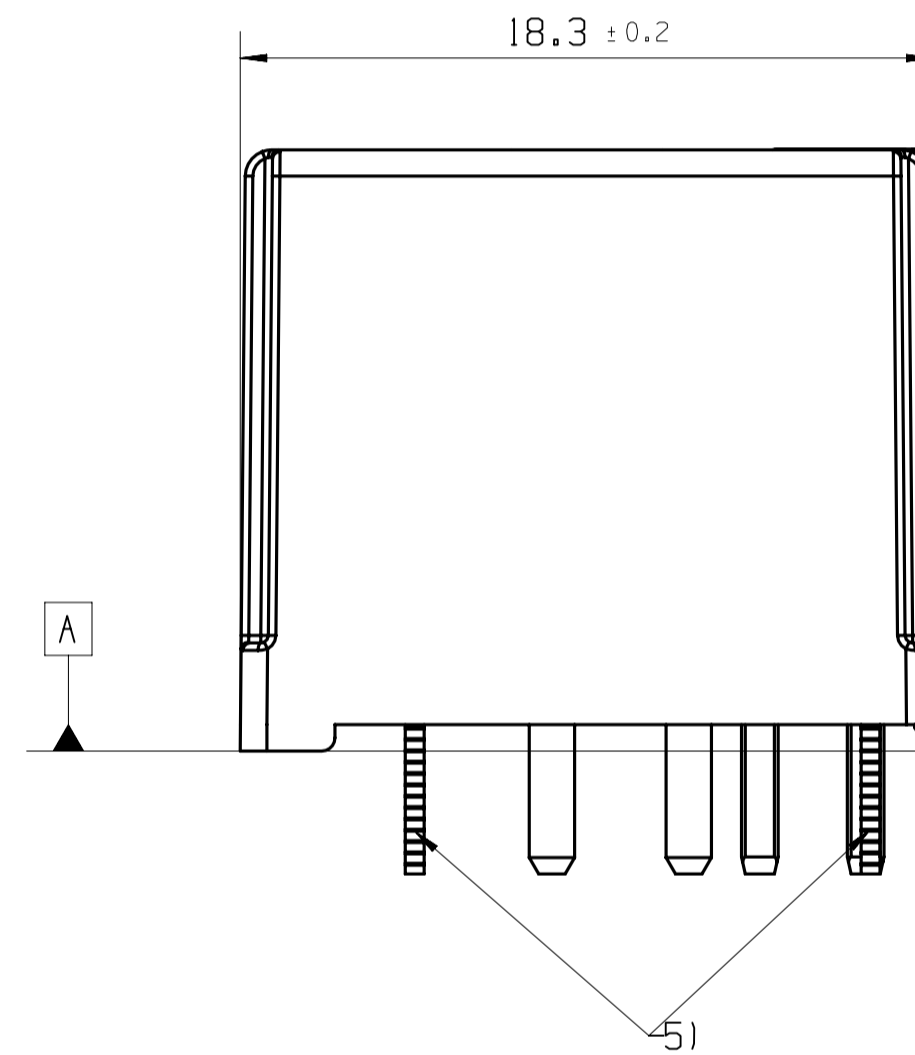
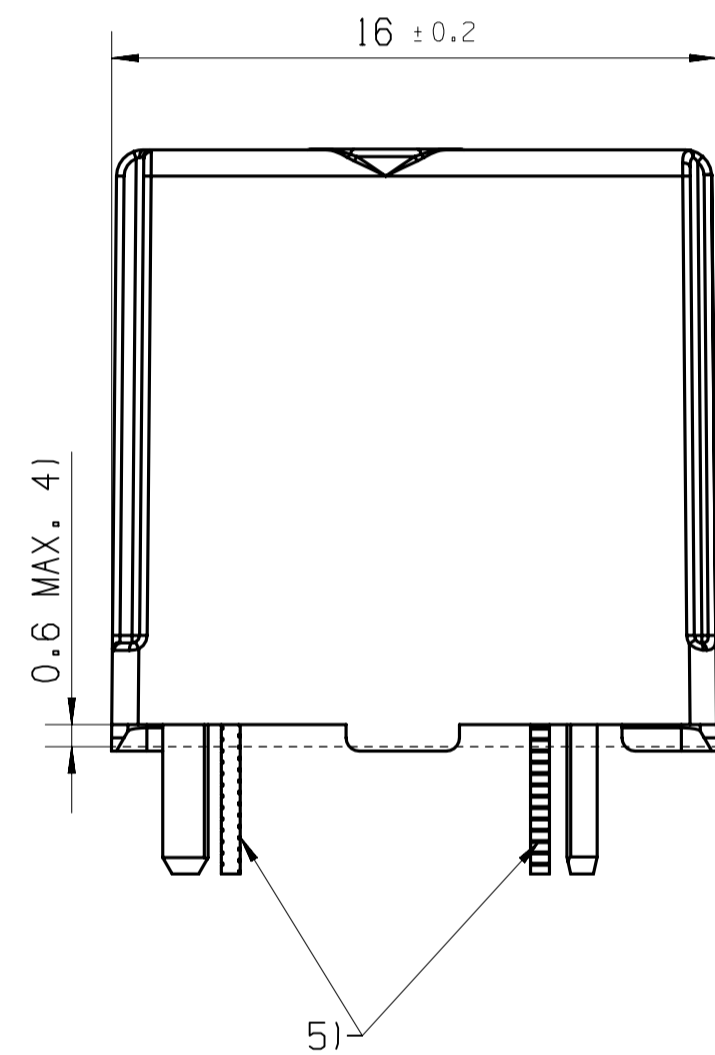
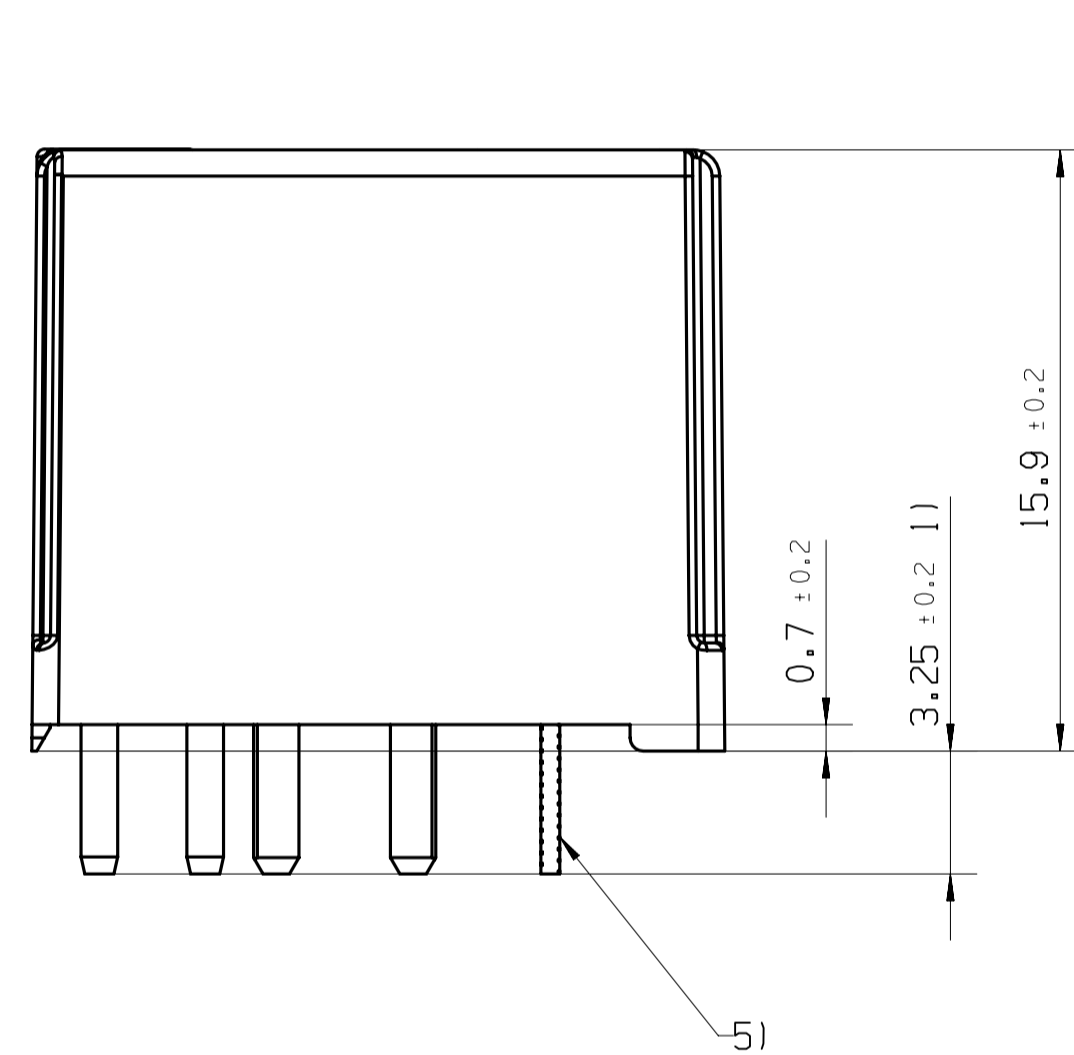
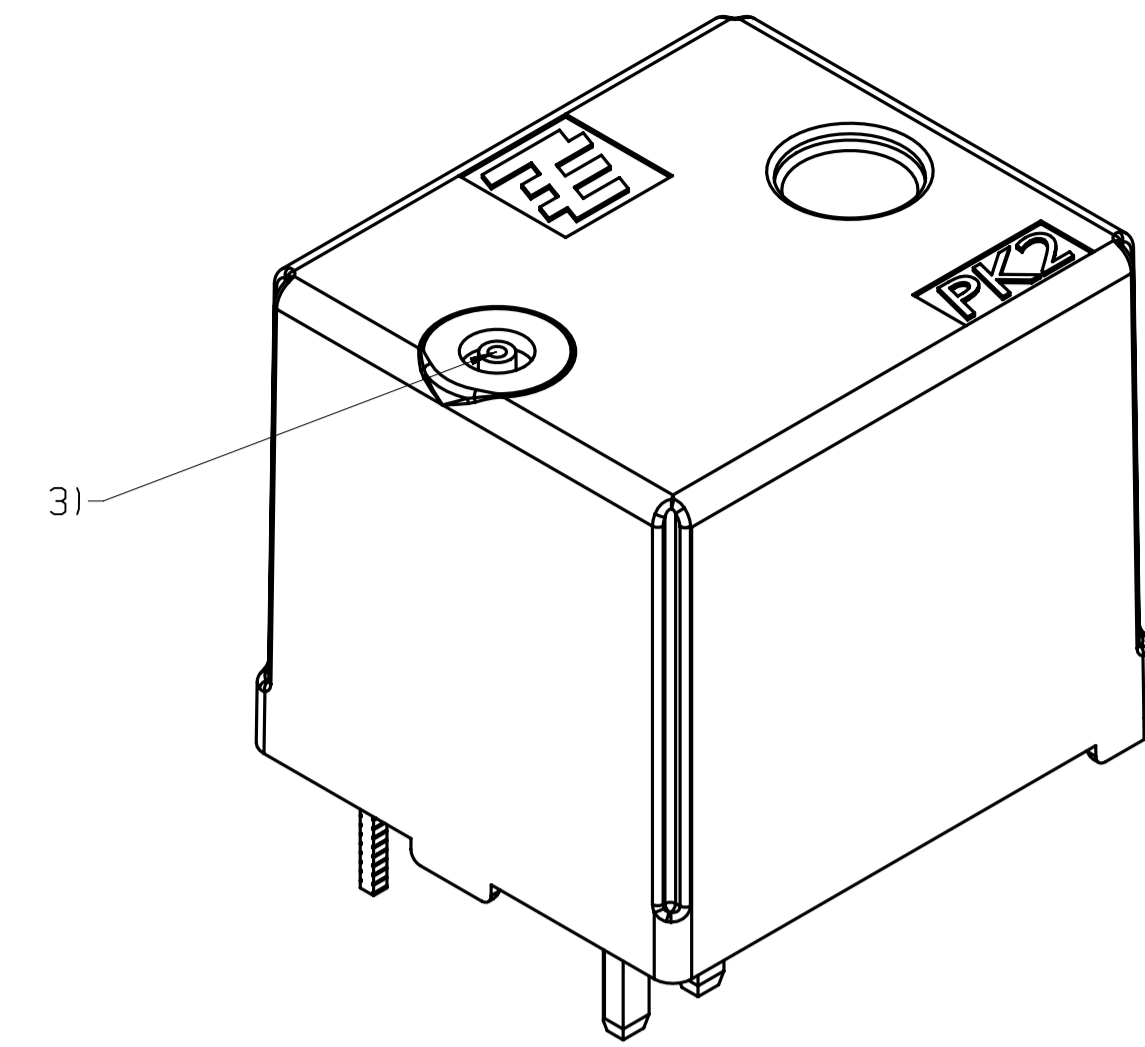
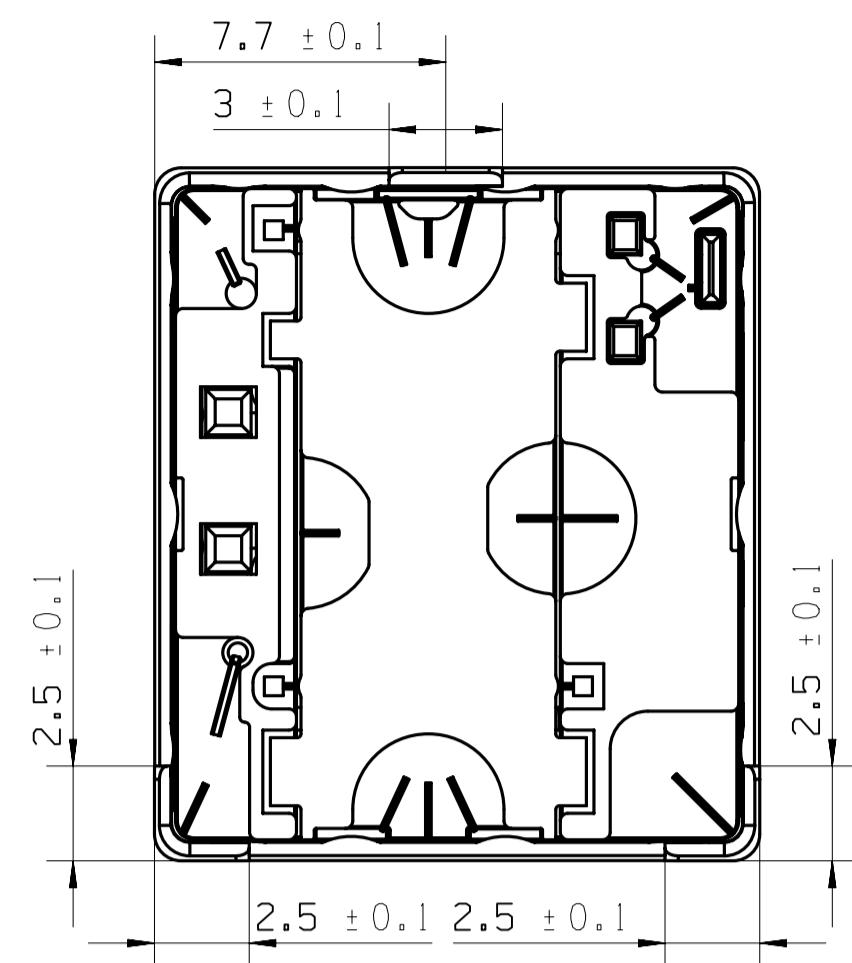
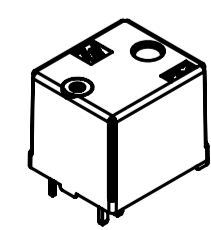
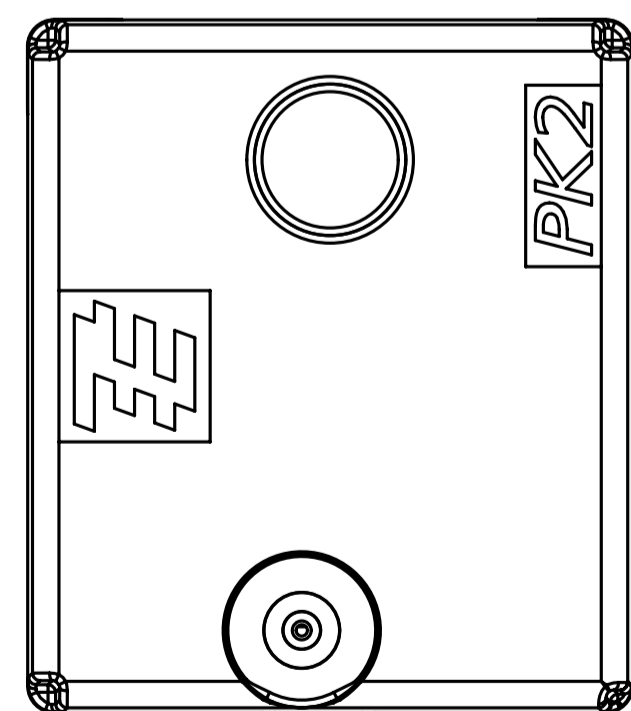


REMARK: POSITION TOLERANCES ACC. TO DIN 5458
 **) WITHOUT TINNING (HOT DIP)



GAUGE DIMENSIONS FOR TINNED RELAY



SCALE 1:1

6-1414782-9	V23201-L1003-A502	VENT HOLE CLOSED
4-1414915-9	V23201-L1004-A502	VENT HOLE CLOSED
7-1904118-1	V23201-L1004-A512	VENT HOLE CLOSED
9-1904125-6	V23201-L1012-A512	VENT HOLE CLOSED
7-1904118-4	V23201-T1004-A512	VENT HOLE OPEN
1-1414974-3	V23201-T1006-A502	VENT HOLE OPEN
PART NUMBER	DESCRIPTION	3)

- 1) PIN LENGTH WITHOUT TIN (MAX. 4.25 mm WITH TIN)
- 2) STAND OFF SURFACE FREE OF RESIN AND TIN
- 3) CHECK PN TABLE
- 4) ALLOWED AREA WITHOUT ADDITIONAL DIP TIN, RESPECTIVELY HEIGHT OF RESIN ON TERMINALS *
- 5) COIL PINS KNURLED SURFACES ORINTATION INDICATIVE ONLY

PROPRIETARY				THE REPRODUCTION, TRANSMISSION OR USE OF THIS DOCUMENT OR IT'S CONTENTS IS NOT PERMITTED WITHOUT EXPRESSED WRITTEN AUTHORITY. OFFENDERS WILL BE LIABLE FOR ALL DAMAGES. ALL RIGHTS, INCLUDING RIGHTS CREATED BY REGISTERED PATENT(S) GRANTED FOR A UTILITY MODEL OR DESIGN, ARE RESERVED.		CHANGES TO THIS DRAWING MUST BE DONE ONLY IN CAD		PAPER SIZE	
APPLICABLE SPEC. :				FINISH:		SCALE		A1	
TOLERANCE UNLESS SPECIFIED OTHERWISE 150 2768-mk				DIMENSIONS IN MM		DIMENSIONS APPLY		PLATING	
REV. CHANGE ORDER				DATE		SCALE 5:1		WEIGHT	
APP.				MATERIAL		PART NAME		PK2 RELAY COMPL BIST	
B1 ECO-21-000320 11JAN2021 MFER				DATE		NAME		DWG NO.	
B6 ECO-17-000523 13JAN2017 A.S.				DATE		NAME		C23303-A0201-A002-CD	
B7 ECO-16-007609 23MAY2016 A.S.				DATE		NAME		SHT. 1	
B5 ECO-10-023324 15NOV2010 A.P.				DATE		NAME		OF 1	
B2 ECO-09-020505 07SEP2009 ABE				DATE		NAME		CUSTOMER DRAWING	
B1 ECO-07-013349 30MAY2007 ABE				DATE		NAME		STE	
B MIGRATION 21FEB2007 ABE				DATE		NAME		connectivity	
A --- 06NOV2006 ABE				DATE		NAME		BIn. P.	