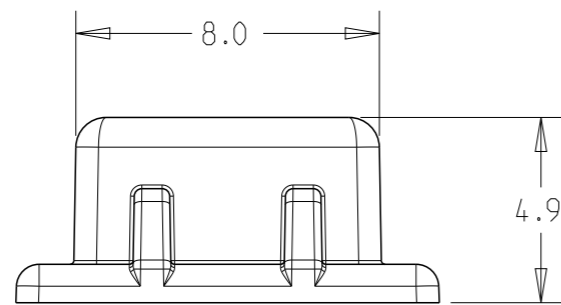
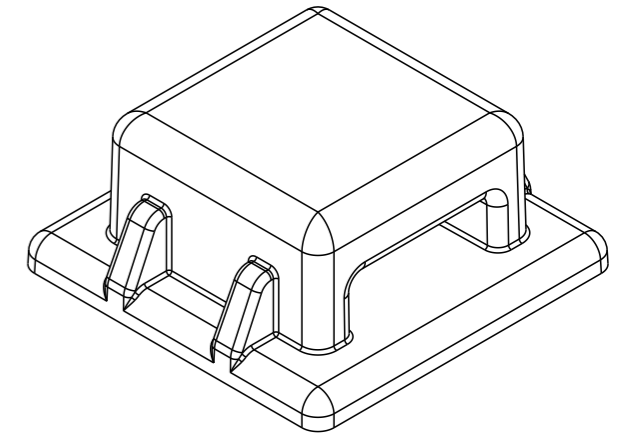
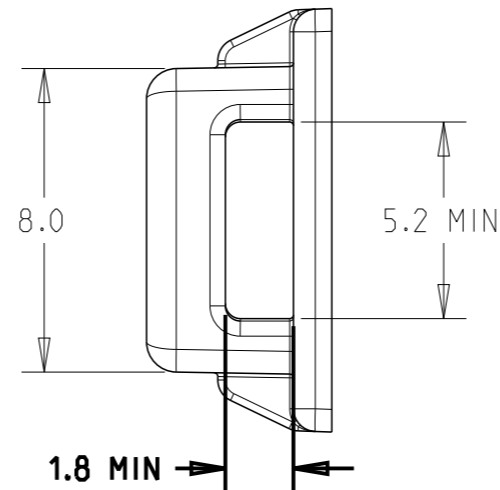
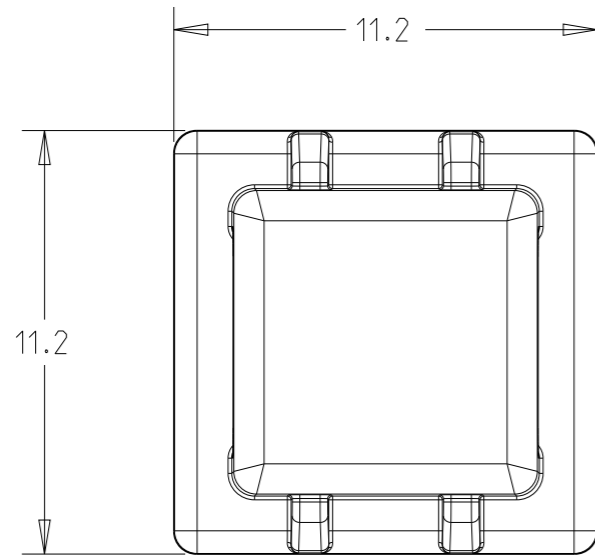


REVISIONS

P	LTR	DESCRIPTION	DATE	DWN	APVD
1		PRELIMINARY RELEASE	27JUN2022	JSD	NS
2		MODEL UPDATED	29JUL2022	JSD	NS
A		PRODUCTION RELEASE	02APR2024	MG	NS



ORDERING INFORMATION

CABLE-TIE ADHESIVE BRACKET MINIATURE	CABM-XX	MATERIAL CODE
		M1 - POLYETHERIMIDE 40% GF

NOTES:

1. USE WITH CABLE TIE MS3367 SIZE-1,-2,-4,-5 & -7.

THIS DRAWING IS A CONTROLLED DOCUMENT.		DWN JEEVAN 20JUN2022					
DIMENSIONS: mm		CHK M GOWDA 27JUN2022					
		APVD SUDHAKAR 27JUN2022					
TOLERANCES UNLESS OTHERWISE SPECIFIED:		PRODUCT SPEC 108-160612	NAME MINIATURE CABLE TIE MOUNT				
0 PLC ± - 1 PLC ± 0.3 2 PLC ± - 3 PLC ± - 4 PLC ± - ANGLES ± -		APPLICATION SPEC -	SIZE A3	CAGE CODE 00779	DRAWING NO C=CABM-XX	RESTRICTED TO -	
MATERIAL SEE MAT. CODE		FINISH -	WEIGHT -	SCALE 5:1		SHEET 1 OF 1	REV A
CUSTOMER DRAWING							