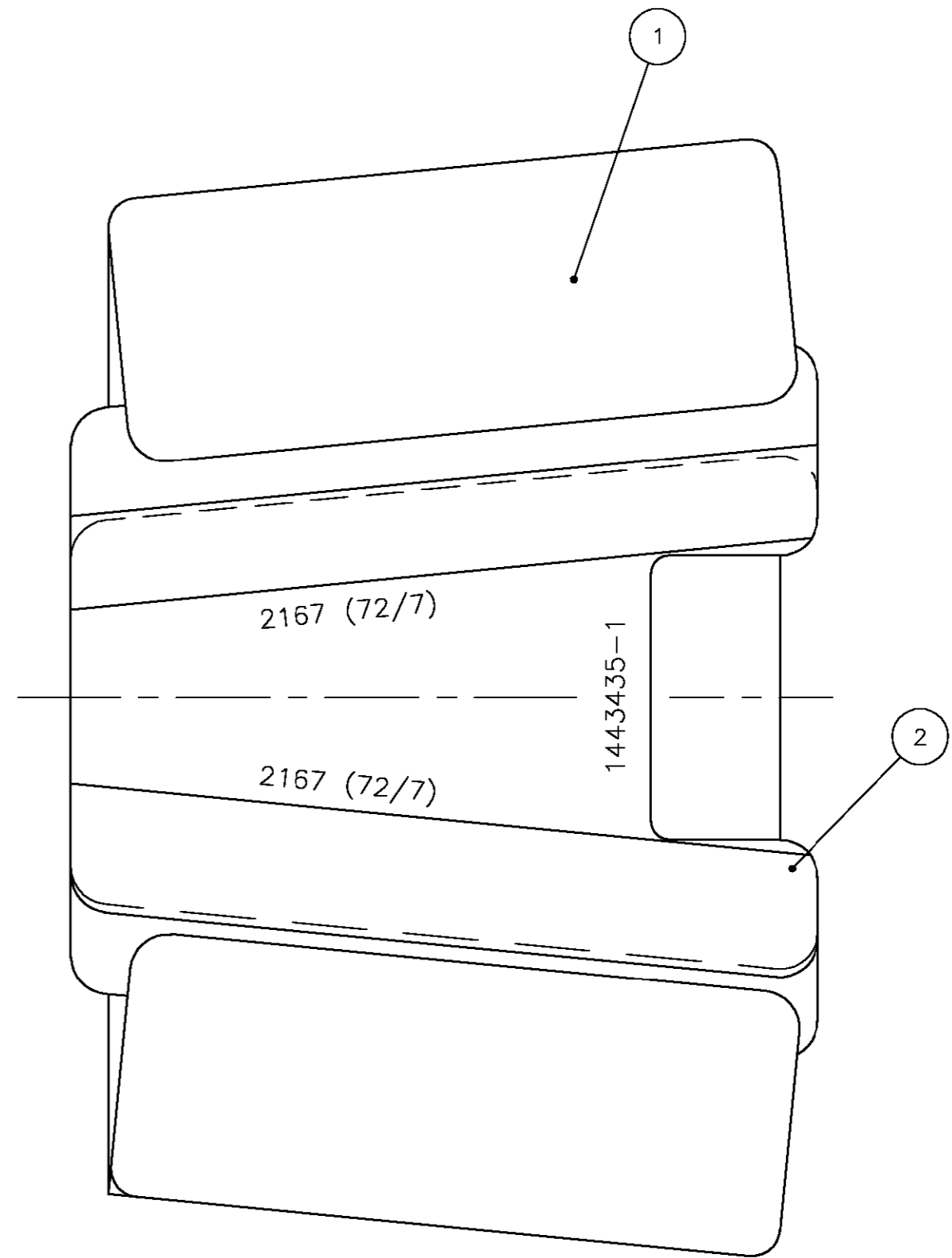
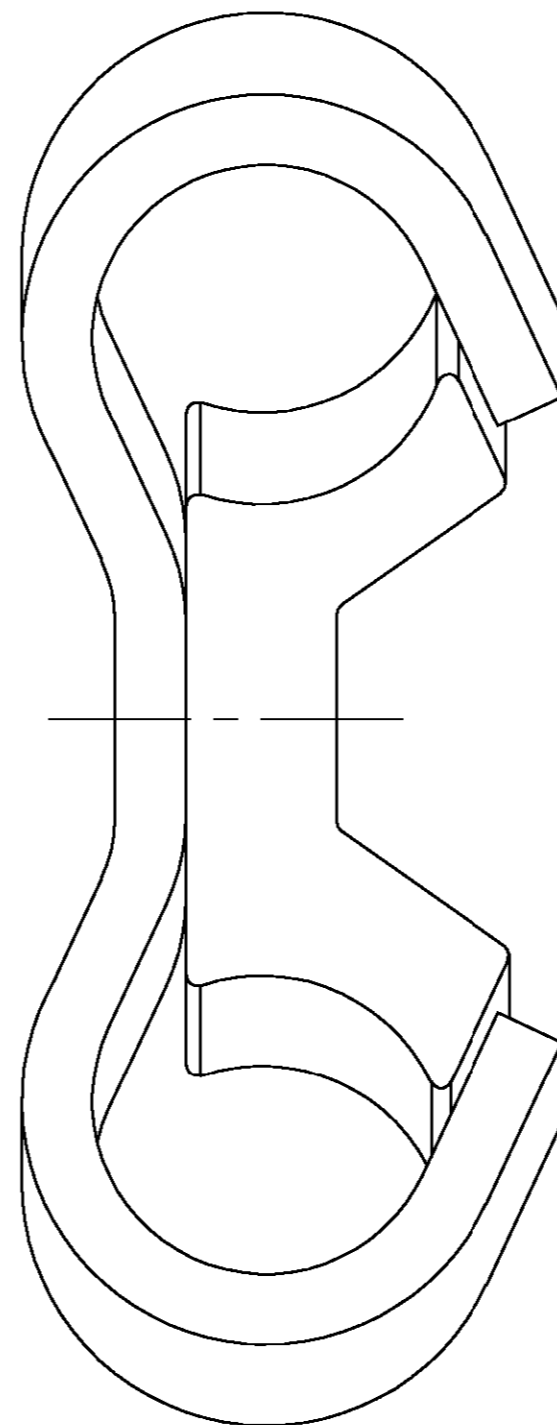
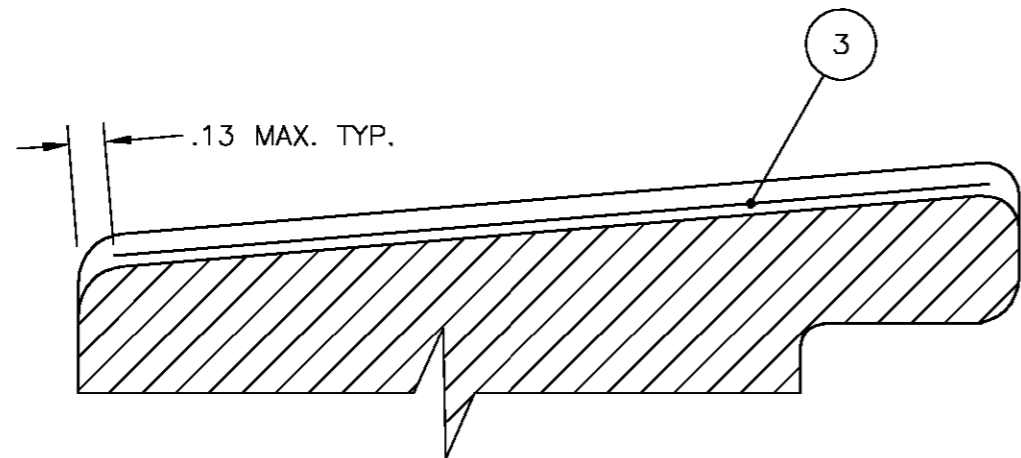
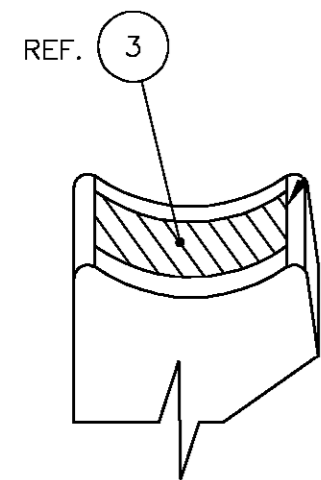
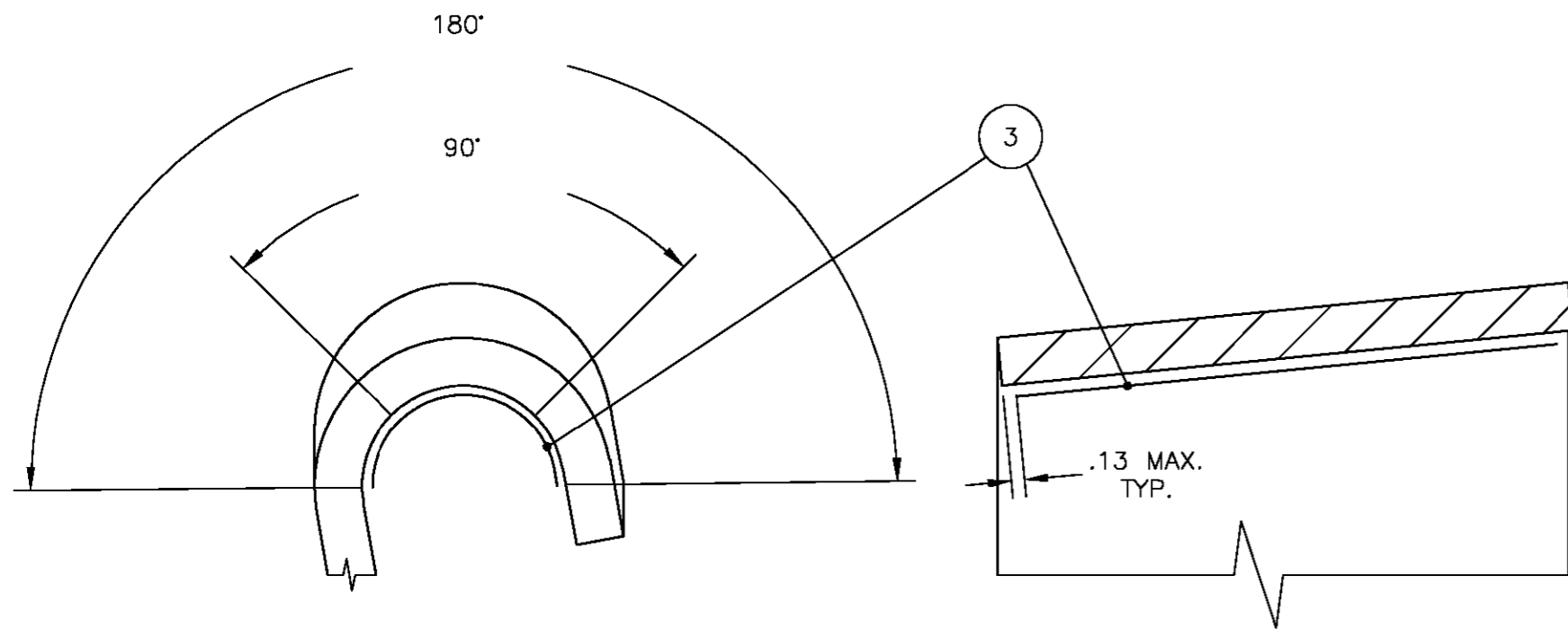


USED ON

DWG NO 1443435  
THIS DRAWING IS A CONTROLLED DOCUMENT.



1443435-1  
TYCO PART NO

A/R	QTY	DESCRIPTION	ITEM NO
80665-1	3	INHIBITOR	3
1443469-1	2	WEDGE	2
1443207-1	1	BODY	1
-1		PART NO	

PARTS LIST

DWN	05 OCT 05	MATERIAL	HEAT TREAT
D	ROBITAILLE		
CHK	14OCT05		
A	BULZA		
APVD	14OCT05		
B	JOHNSON		
NAME		IMPACT TAP, EXTRA LARGE, 2167 ACSR TO 2167 ACSR	
SCALE	SIZE	DRAWING NO	SHEET
NTS	A2	1443435	1 OF 1
		REV	A

DIMENSIONS:		TOLERANCES UNLESS OTHERWISE SPECIFIED:	
INCHES		0 PLC ±	
		1 PLC ±	
		2 PLC ± .03	
		3 PLC ± .005	
		4 PLC ± .0005	
ANGLES ±		0° 30'	
SURFACE TEXTURE			

P	LTR	REVISION RECORD	DATE	DWN	APVD
A		REVISED PER LC20-0173-05	13 OCT 05	DR	BJ

LOC	GA
DIST	5

THIS INFORMATION IS CONFIDENTIAL AND PROPRIETARY TO TYCO ELECTRONICS CORPORATION AND ITS WORLDWIDE SUBSIDIARIES AND AFFILIATES. IT MAY NOT BE DISCLOSED TO ANYONE, OTHER THAN TYCO ELECTRONICS PERSONNEL, WITHOUT WRITTEN AUTHORIZATION FROM TYCO ELECTRONICS CORPORATION, HARRISBURG, PENNSYLVANIA USA.