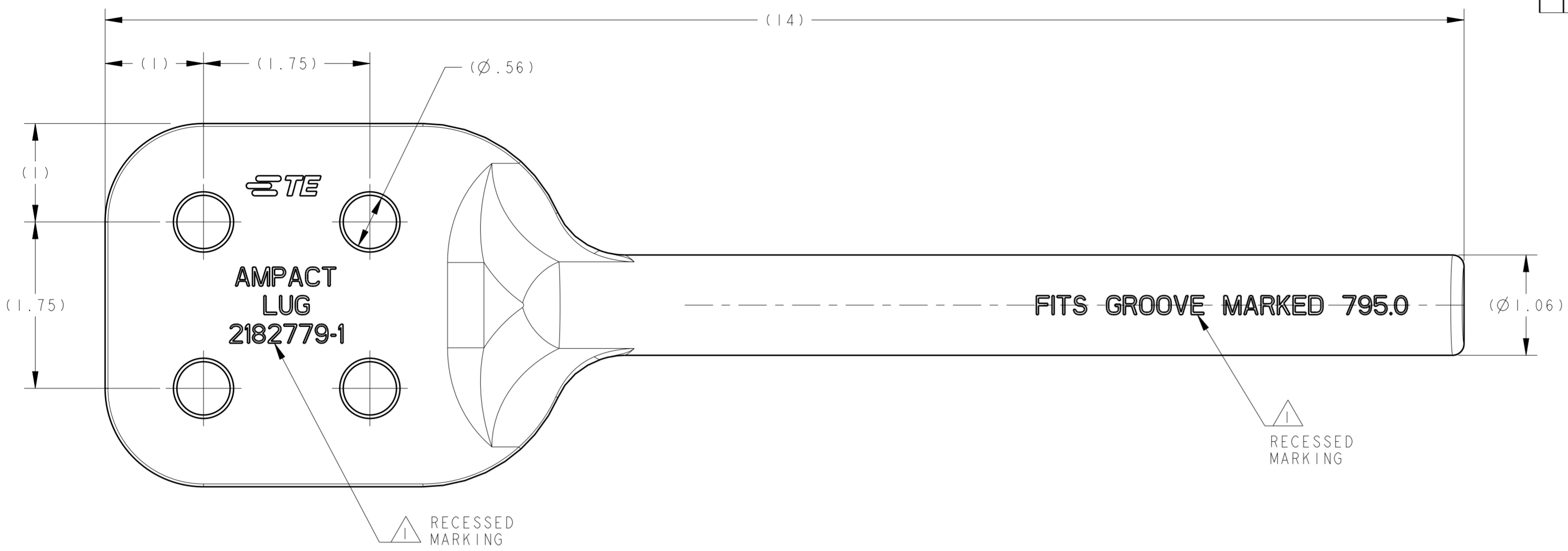


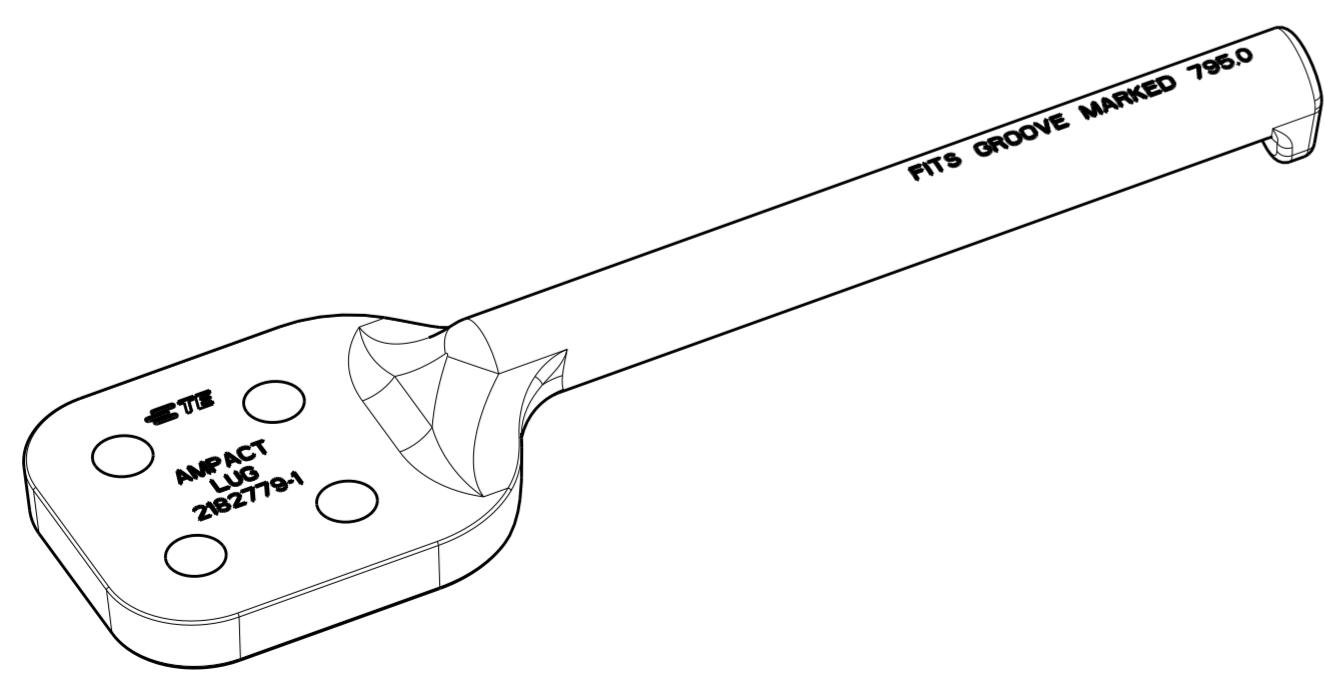
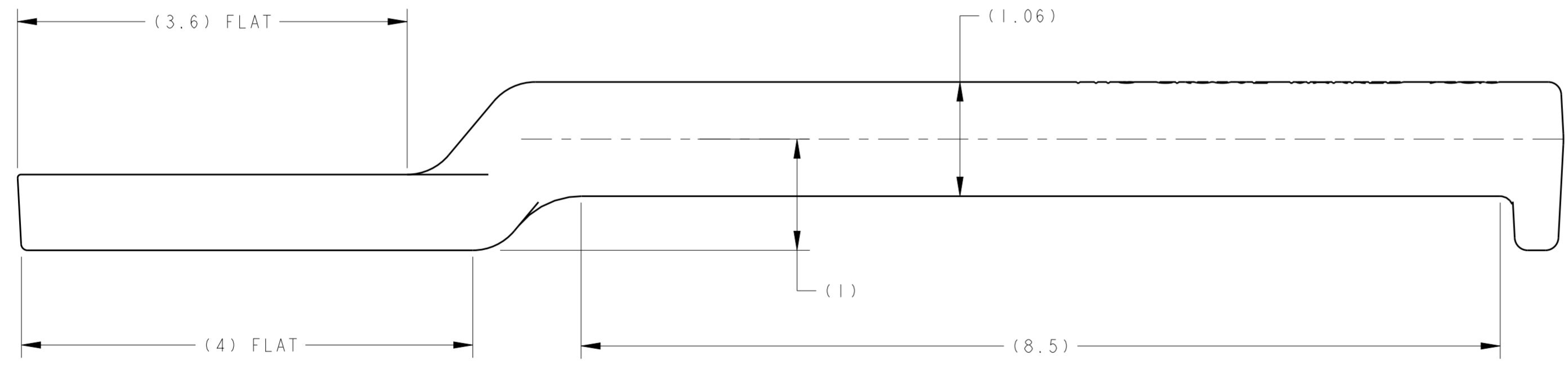
THIS DRAWING IS UNPUBLISHED. RELEASED FOR PUBLICATION 20
 © COPYRIGHT 20 BY - ALL RIGHTS RESERVED.

REVISIONS				
P	LTR	DESCRIPTION	DATE	APVD
A		INITIAL REL. PER LC20-0049-18	11APR2018	DM BJ
B		LC20-0061-18 / ECO-18-008287	03JUN2018	DM BJ



MARKING:
STE
 AMPACT LUG
 2182779-1
 [DATE CODE]
 FITS GROOVE MARKED 795.0

2. ALL DIMENSIONS ARE FOR REFERENCE ONLY.



1.8 lbs	AL ALLOY	2182779-1
WEIGHT	MATERIAL	PART NO.

THIS DRAWING IS A CONTROLLED DOCUMENT.		DWN 06APR2018 D. MURUGLAH	STE TE Connectivity	
DIMENSIONS: INCHES		CHK 09APR2018 D. MURUGLAH		
TOLERANCES UNLESS OTHERWISE SPECIFIED:		APVD 09APR2018 B. JOHNSON	NAME	
0 PLC ±		PRODUCT SPEC	TERMINAL LUG, 4 HOLE PADDLE, LONG SHANK, 795 KCMIL GROOVE SIZE, AMPACT TAP	
1 PLC ±		APPLICATION SPEC	SIZE	CAGE CODE
2 PLC ±		WEIGHT	A2	-
3 PLC ±		CUSTOMER DRAWING	DRAWING NO. C-2182779	
4 PLC ±		SCALE	NTS	SHEET
ANGLES ±		RESTRICTED TO	OF	REV
FINISH				B