

Copying of the document and giving it to other and the use or communication of the contents thereof, are forbidden without express authority. Offenders are liable to the payment of damages. All rights are reserved in the event of the grant of a patent or the registration of a utility model or design.

1 2 3 4

A

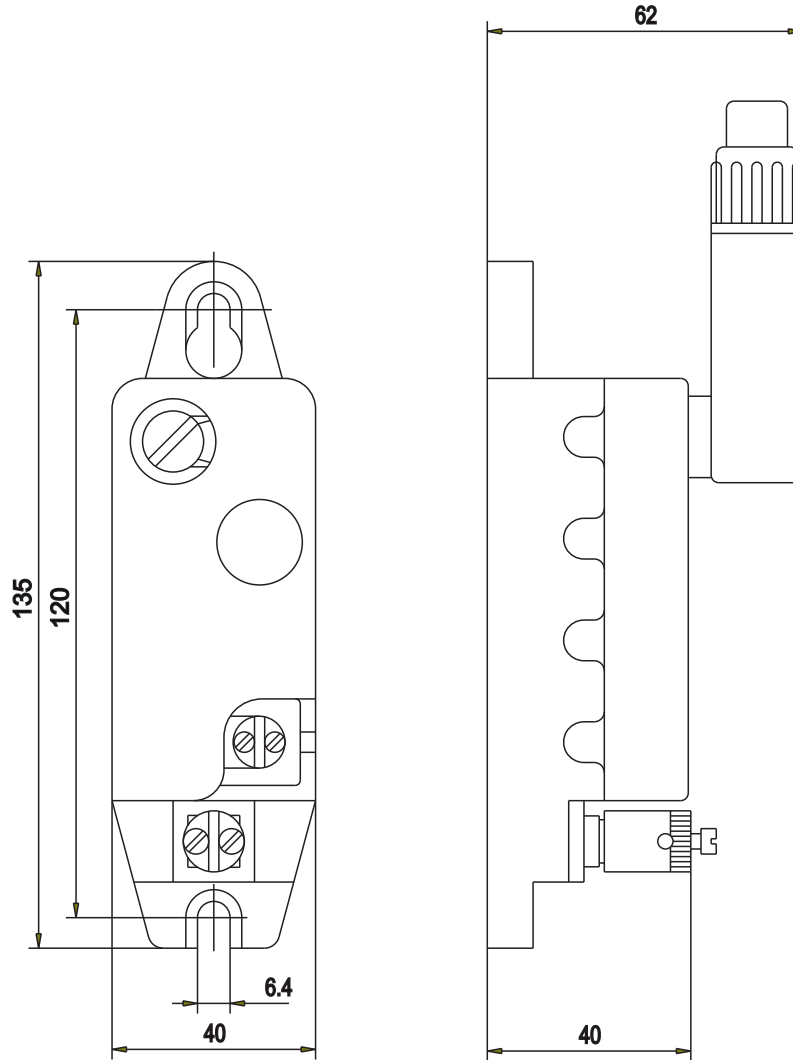
A

B

B


C

C



Customer Drawing

REV.	MODIFICATION	DATE	N.

2020	DATE	NAME
DRAWN	21.01.	Valerius
CHECKED		
 Tyco Electronics Raychem GmbH Werk Berlin		
CD-415-B6661.cdr		
CAD NO.:		

<h1>B6661</h1>	NAMING:
	CD-415-B6661
DRAWING NO.:	
REPLACEMENT FOR:	

D

D

1 2 3 4