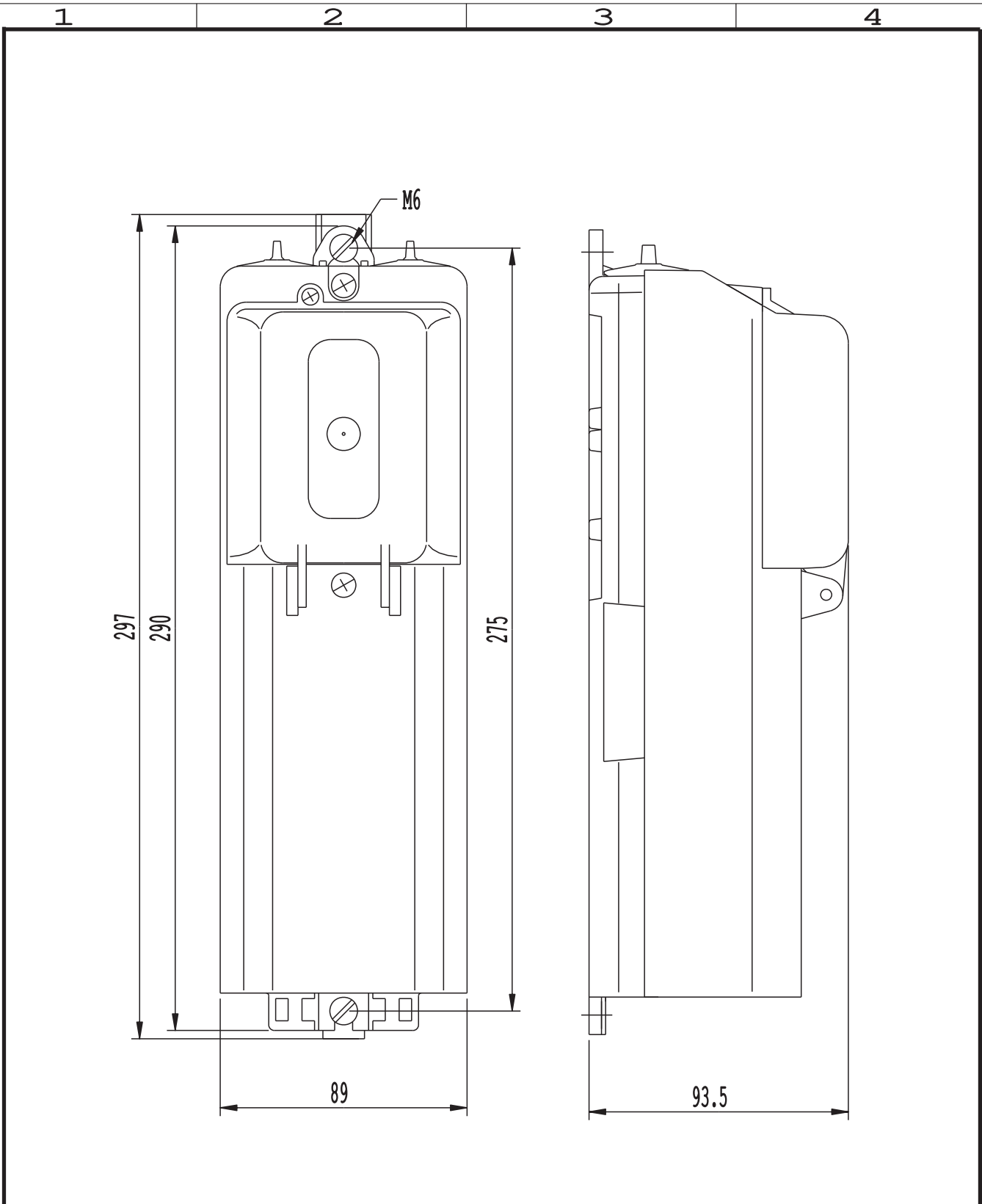



Copying of the document and giving it to other and the use or communication of the contents thereof, are forbidden without express authority. Offenders are liable to the payment of damages. All rights are reserved in the event of the grant of a patent or the registration of a utility model or design.



Customer Drawing							
				2020	DATE	NAME	EKM-2035
	DRAWN	21.01.	Valerius				
	CHECKED			NAMING:			
						CD-450-EKM-2035	
				Tyco Electronics Raychem GmbH Werk Berlin		DRAWING NO.:	
REV.	MODIFICATION	DATE	N.	CD-450-EKM-2035.cdr		REPLACEMENT FOR:	
1				2		3	4