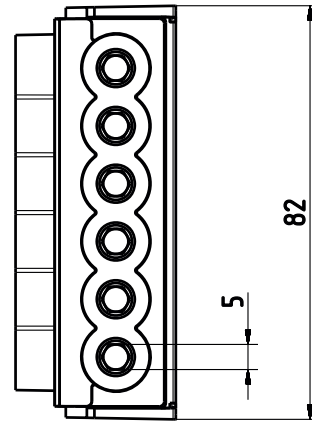
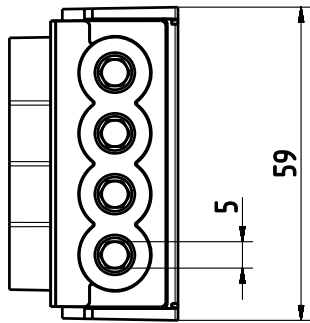
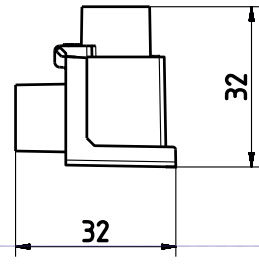
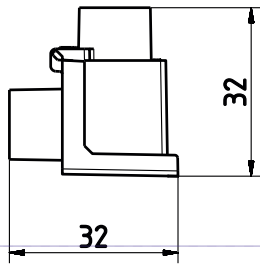
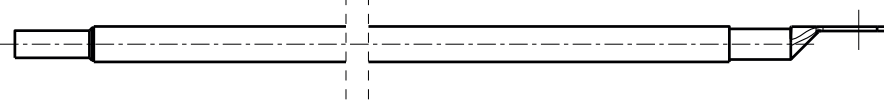
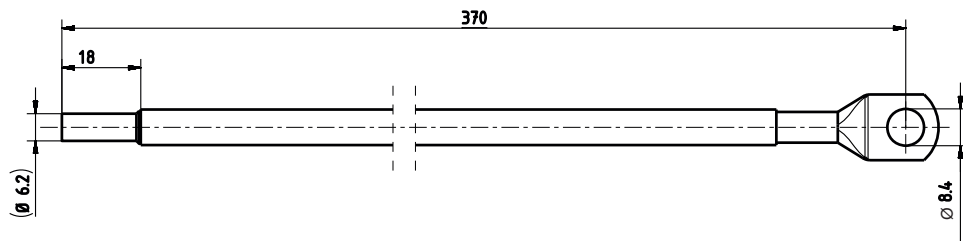


Copying of the document and giving it to other and the use or communication of the contents thereof, are forbidden without express authority. Offenders are liable to the payment of damages. All rights are reserved in the event of the grant of a patent or the registration of a utility model or design.



**4x**

**1x**



**1x H07VK, 16mm<sup>2</sup>**

Customer Drawing							
				2020	DATE	NAME	<b>GURO-BCS-5</b>
				DRAWN	21.01.	Valerius	
				CHECKED			
				<b>TE</b> connectivity		Tyco Electronics Raychem GmbH Werk Berlin	NAMING:  <b>CD-473-BCS5</b>
REV.	MODIFICATION	DATE	N.	CD-473-BCS5.cdr		DRAWING NO.:	
1				CAD NO.:		REPLACEMENT FOR:	