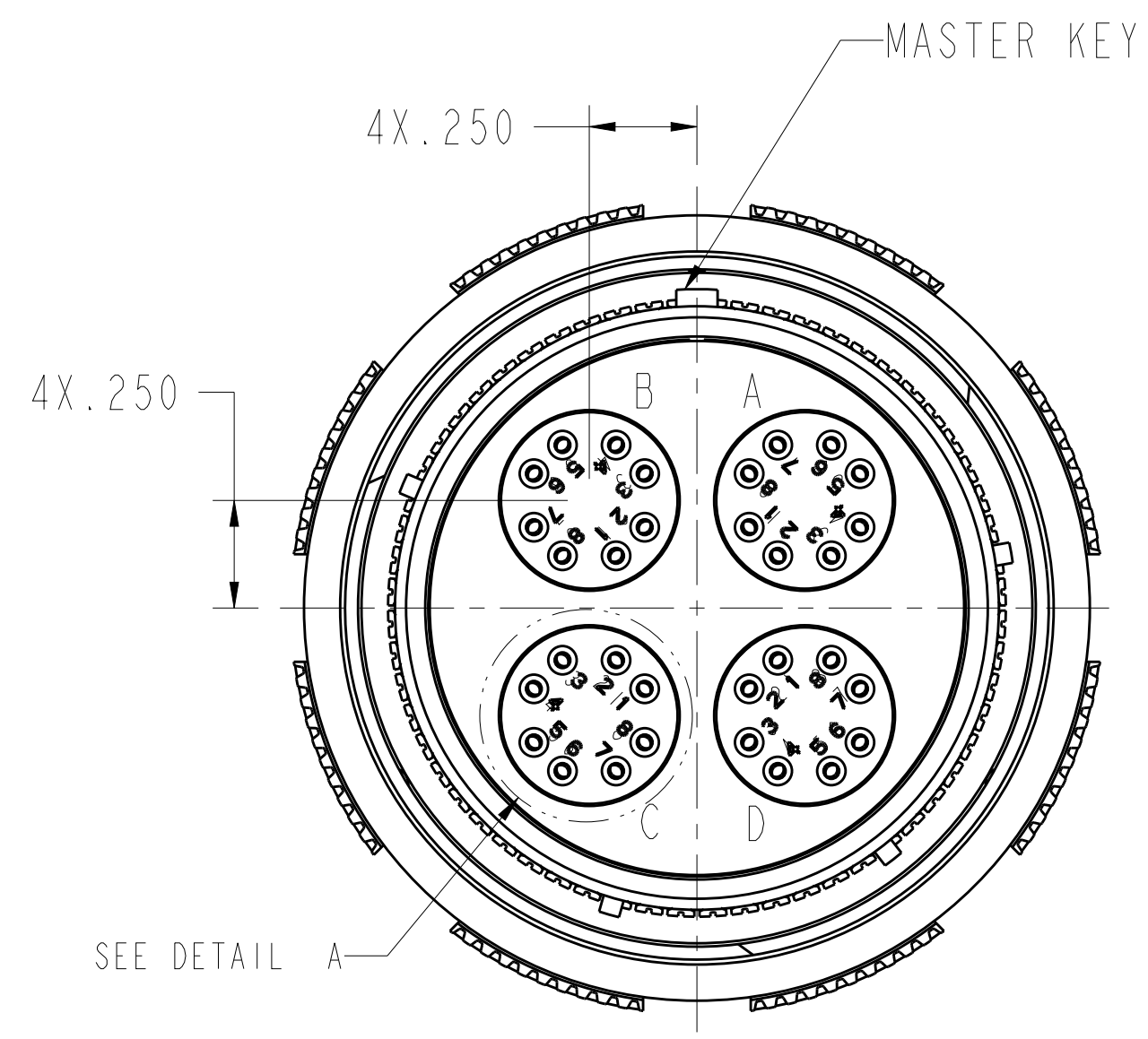


THIS DRAWING IS UNPUBLISHED. RELEASED FOR PUBLICATION 20
 © COPYRIGHT 20 ALL RIGHTS RESERVED.

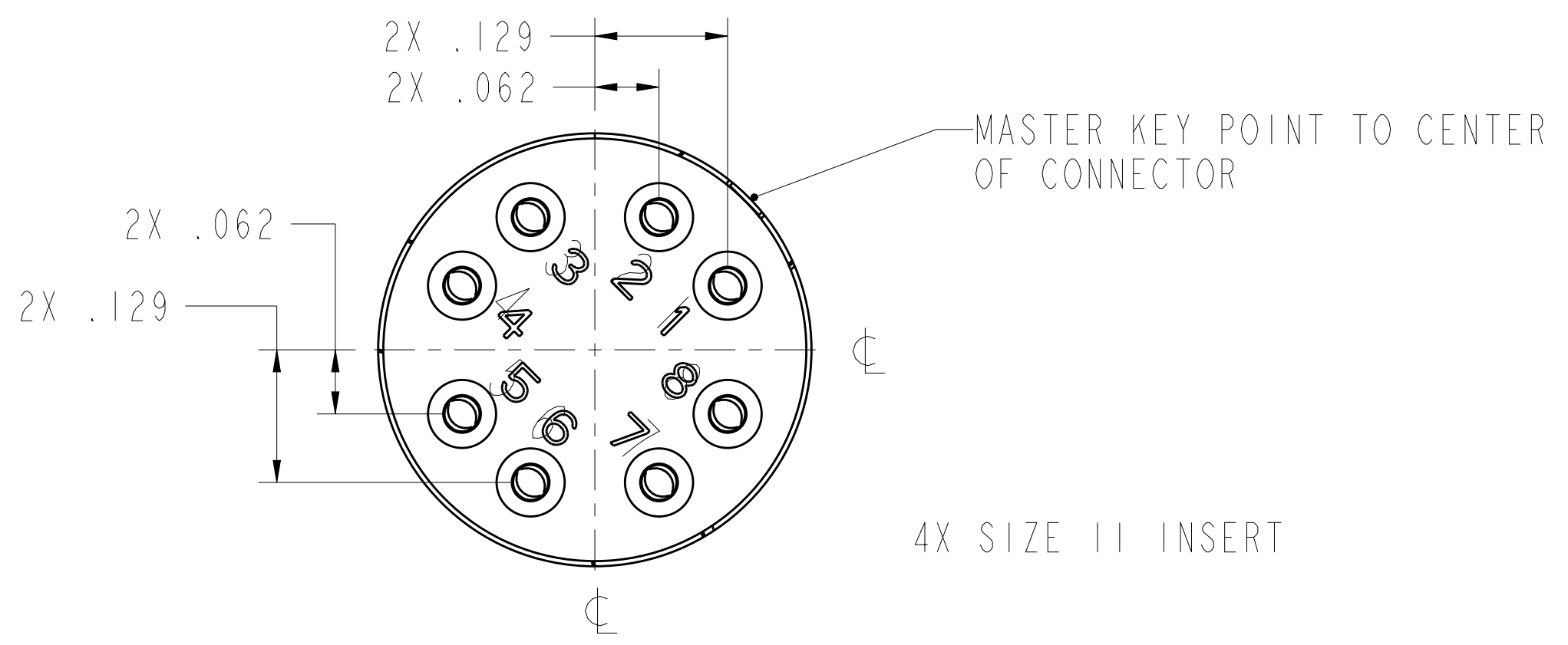
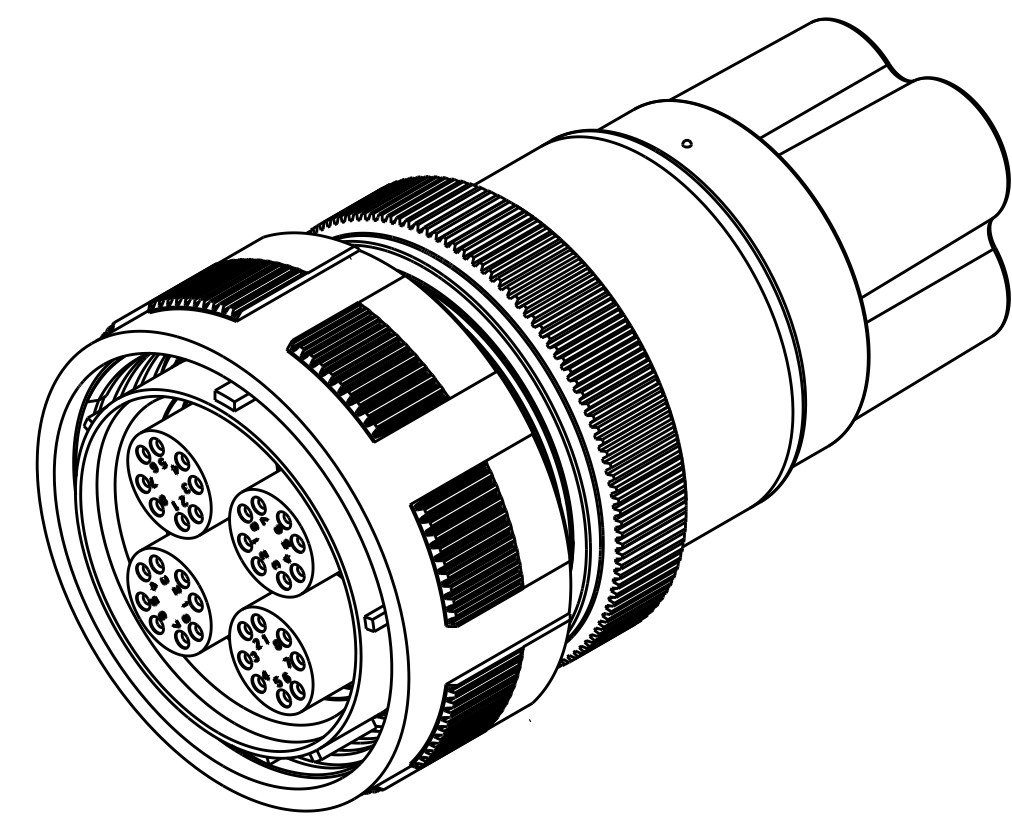
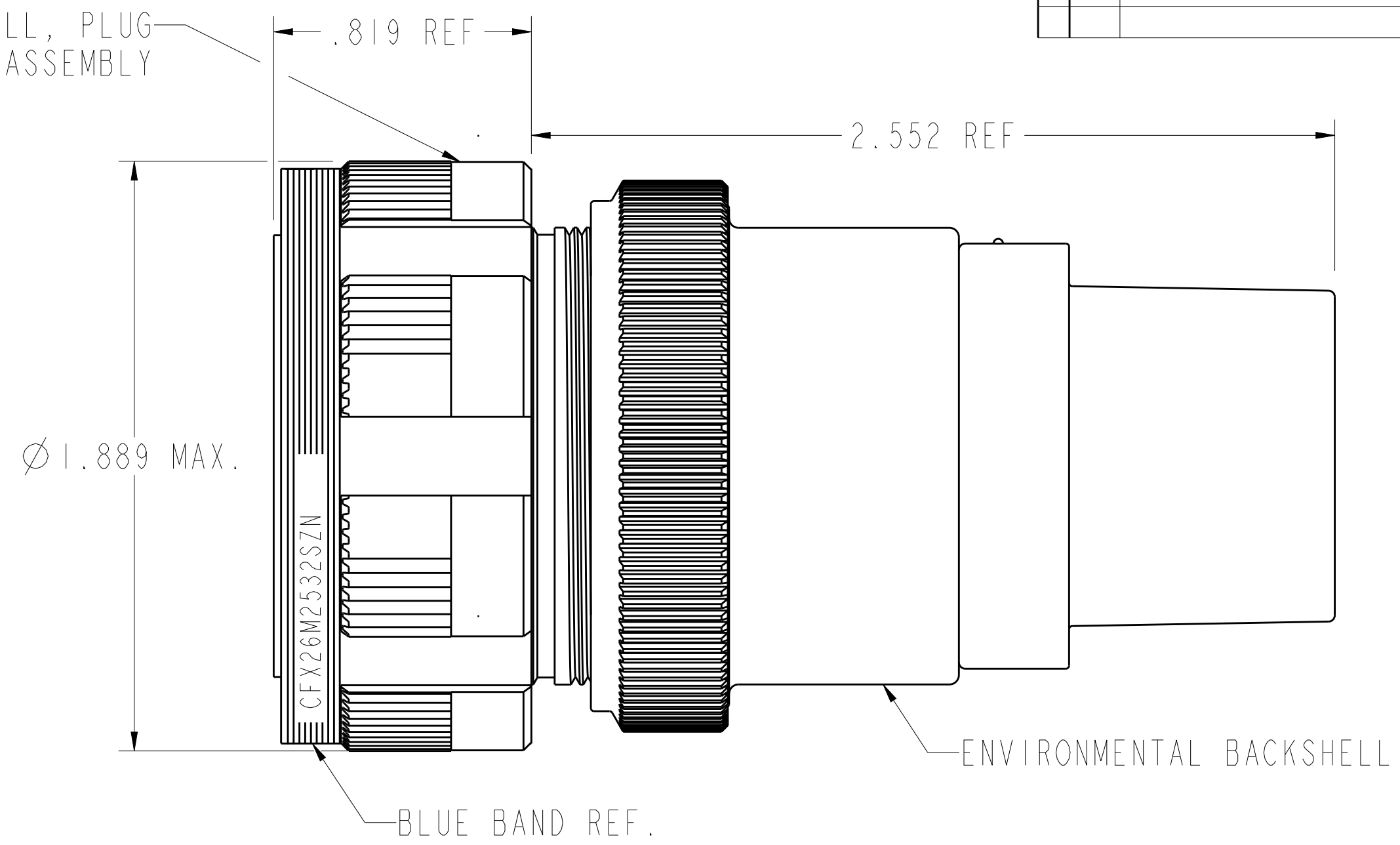
PROPERTY OF THE TE CONNECTIVITY
 THIS INFORMATION IS CONFIDENTIAL AND PROPERTY TO TYCO ELECTRONICS CORPORATION
 AND ITS WORLDWIDE SUBSIDIARIES AND AFFILIATES (TE). IT MAY NOT BE DISCLOSED TO
 ANYONE, OTHER THAN TE PERSONNEL, WITHOUT AUTHORIZATION FROM TE (www.TE.com).

REVISIONS					
P	LTR	DESCRIPTION	DATE	DWN	APVD
A		NEW RELEASE PER ECO-16-000996	160122	JPF	JPF



SOCKET INSERT MARKING SHOWN ABOVE

SHELL, PLUG
 R.F.I. ASSEMBLY



DETAIL A
 SCALE 7.000
 TYPICAL, 4 PLACES

SEE SHEET 2 FOR APPLICABLE NOTES

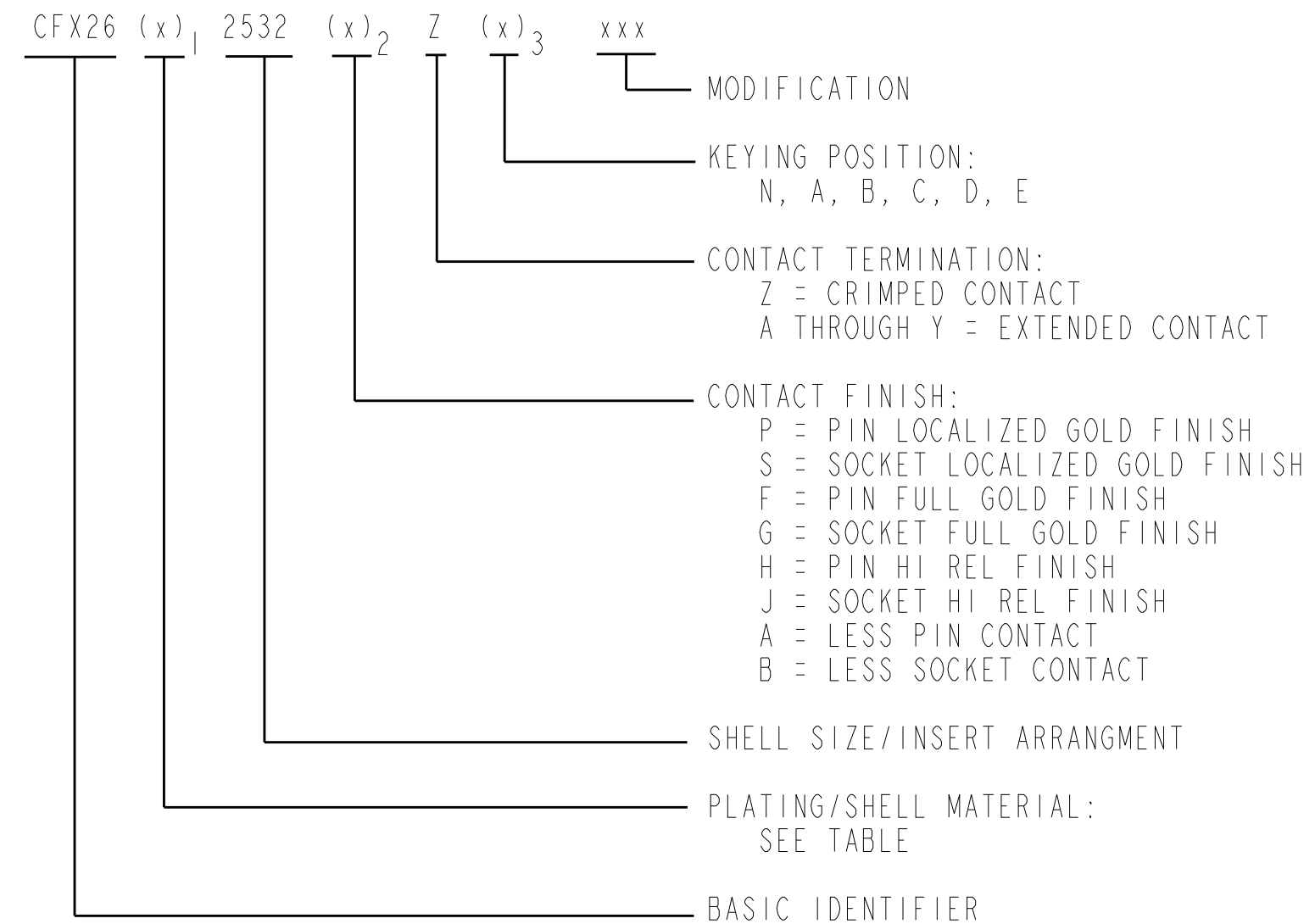
THIS DRAWING IS A CONTROLLED DOCUMENT.		DWN	JPF	140219	 TE Connectivity							
DIMENSIONS: INCH		CHK	JPF	160122								
TOLERANCES UNLESS OTHERWISE SPECIFIED:		APVD	AR	160122								
0 PLC ±1 1 PLC ±0.1 2 PLC ±0.01 3 PLC ±0.005 4 PLC ±0.0005 ANGLES ±0.5 FINISH		PRODUCT SPEC	NAME			CONNECTOR, PLUG THREADED COUPLING 2532 ARRANGEMENT						
MATERIAL	3	WEIGHT	-		SIZE	A2	CAGE CODE	111139	DRAWING NO	CFX26x2532xxx	RESTRICTED TO	-
CUSTOMER DRAWING		SCALE		2.500	SHEET		1	OF	2	REV	A	

THIS DRAWING IS UNPUBLISHED. RELEASED FOR PUBLICATION 20
 © COPYRIGHT 20 ALL RIGHTS RESERVED.

PROPERTY OF THE TE CONNECTIVITY
 THIS INFORMATION IS CONFIDENTIAL AND PROPERTY TO TYCO ELECTRONICS CORPORATION
 AND ITS WORLDWIDE SUBSIDIARIES AND AFFILIATES (TE). IT MAY NOT BE DISCLOSED TO
 ANYONE, OTHER THAN TE PERSONNEL, WITHOUT AUTHORIZATION FROM TE (www.TE.com).

LOC		DIST		REVISIONS			
P	LTR	DESCRIPTION	DATE	DWN	APVD		
-		SEE SHEET 1	-	-	-		

PART NUMBER (x) ₁	PLATING	SHELL MATERIAL	SIZE 25	
			PART NUMBER(x) ₃	POS
M	NICKEL	COMPOSITE	CFX26x2532xZN	N
J	O.D. CAD	COMPOSITE	CFX26x2532xZA	A
F	NICKEL	ALUMINUM	CFX26x2532xZB	B
W	O.D. CAD	ALUMINUM	CFX26x2532xZC	C
S	NICKEL	STAINLESS STEEL	CFX26x2532xZD	D
T	TEFLON NICKEL	ALUMINUM	CFX26x2532xZE	E
Z	BLACK ZINC NICKEL	ALUMINUM		



6. COMPOSITE WEIGHT WITHOUT MODULES AND CABLE: 0.206 POUNDS.
 METAL WEIGHT WITHOUT MODULES AND CABLE: 0.246 POUNDS.
 PIN MODULE, FOLLOWER AND BRAID SUPPORTS WEIGHT: .011 LBS.
 SOCKET MODULE, FOLLOWER AND BRAID SUPPORTS WEIGHT: .017 LBS.

5. MATES WITH CFX20x2532xxx OR CFX24x2532xxx.

4. FINISH: SHELL/BACKSHELL - SEE TABLE.
 CONTACTS - SEE PART NUMBER BREAKDOWN.

3. MATERIAL: SHELL & COUPLING RING - SEE TABLE.
 BACKSHELL BODY/COUPLING RING - ALUMINUM ALLOY.
 CONTACTS - COPPER ALLOY.
 RESILIENT INSERTS/BACKSHELL GROMMET - SILICONE ELASTOMER.
 PLASTIC INSERTS - THERMOPLASTIC.

2. FOR AVAILABILITY CONSULT FACTORY.

1. ALL DIMENSIONS ARE IN INCHES UNLESS OTHERWISE SPECIFIED.

THIS DRAWING IS A CONTROLLED DOCUMENT.		DWN	JPF	140219	 TE Connectivity	
DIMENSIONS: INCH		CHK	JPF	160122		
TOLERANCES UNLESS OTHERWISE SPECIFIED:		APVD	AR	160122		
0 PLC ±1 1 PLC ±0.1 2 PLC ±0.01 3 PLC ±0.005 4 PLC ±0.0005 ANGLES ±0.5 FINISH		PRODUCT SPEC	-	NAME		CONNECTOR, PLUG THREADED COUPLING 2532 ARRANGEMENT
MATERIAL		APPLICATION SPEC	-	SIZE	A2	
		WEIGHT	-	CAGE CODE	111139	
		Customer Drawing	SCALE 2.500		DRAWING NO	CFX26x2532xxx
		RESTRICTED TO	SHEET 2 OF 2		REV	A