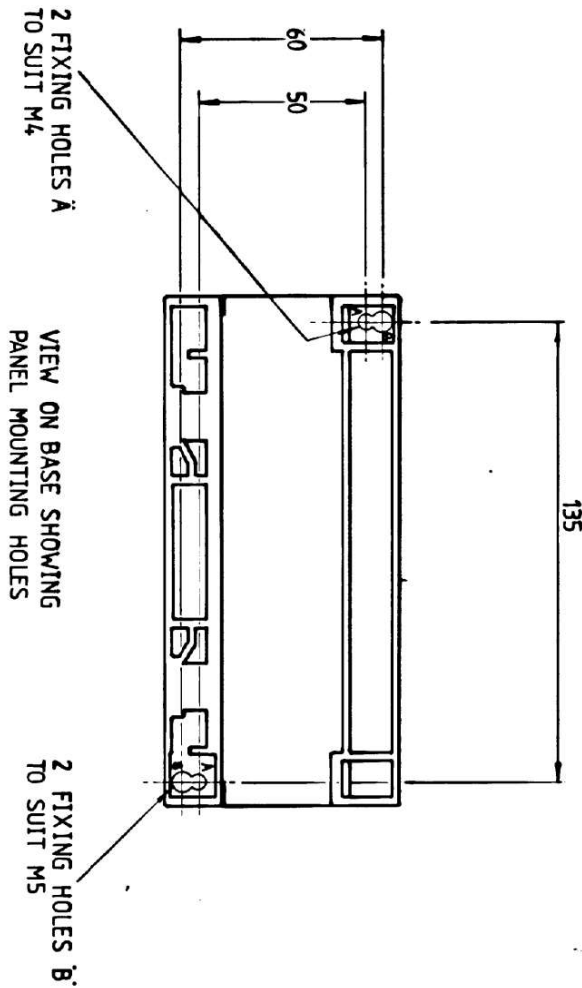
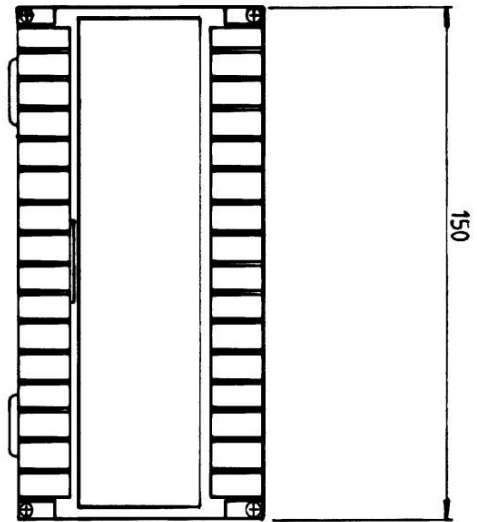
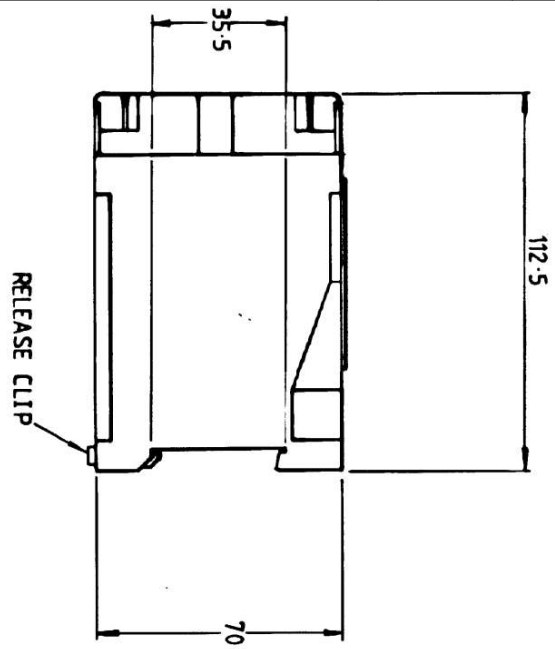


REVISIONS

P	LTR	DESCRIPTION	DATE	DWN	APVD
	1	NEW LAYOUT	07FEB2020	SG	NJ



THIS DRAWING IS UNPUBLISHED.

RELEASED FOR PUBLICATION

ALL RIGHTS RESERVED. © COPYRIGHT - TE Connectivity Ltd.

DIMENSIONS: mm	DWN	SANDEEP G	07FEB2020	MATERIAL	-	FINISH	-			
	CHK	NIGEL JOHNSON	07FEB2020							
TOLERANCES UNLESS OTHERWISE SPECIFIED: 0 PLC ± - 1 PLC ± 0.5 2 PLC ± 0.1 3 PLC ± - 4 PLC ± - ANGLES ± -	APVD	NIGEL JOHNSON	07FEB2020							
	PRODUCT SPEC	NAME								
	APPLICATION SPEC	LINE DRAWING FOR 256 INSERTS								
	WEIGHT	-	SIZE	A4	CAGE CODE	00779	DRAWING NO	CI-3884800	RESTRICTED TO	-
CUSTOMER DRAWING				SCALE	NTS	SHEET	1 OF 1	REV	1	