

4

3

2

1

THIS DRAWING IS UNPUBLISHED.

RELEASED FOR PUBLICATION

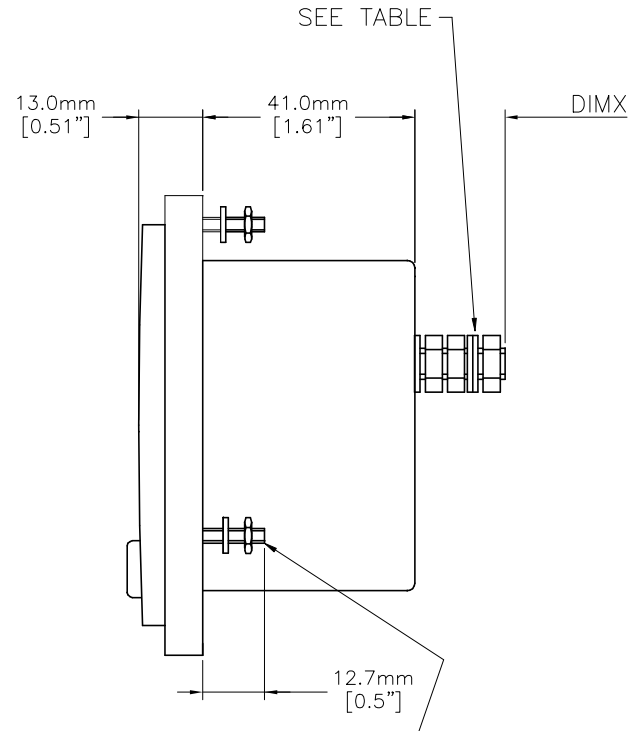
REVISIONS

© COPYRIGHT - TE Connectivity Ltd.

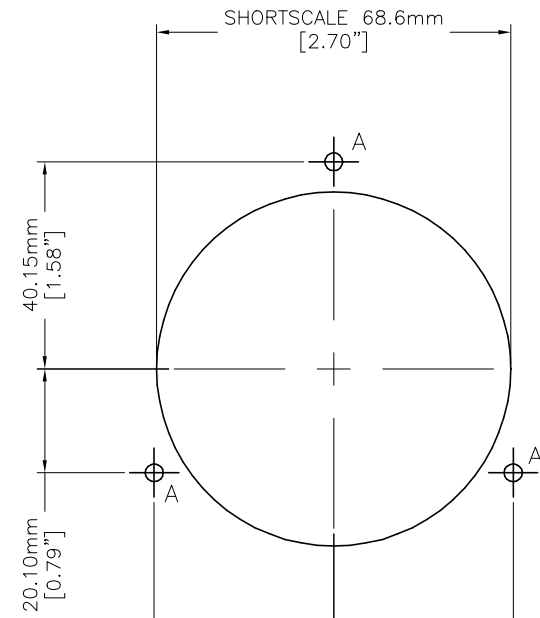
ALL RIGHTS RESERVED.

P	LTR	DESCRIPTION	DATE	DWN	APVD
1		NEW LAYOUT	11FEB2020	SG	NJ

LOCK WASHER 4-40 UNC

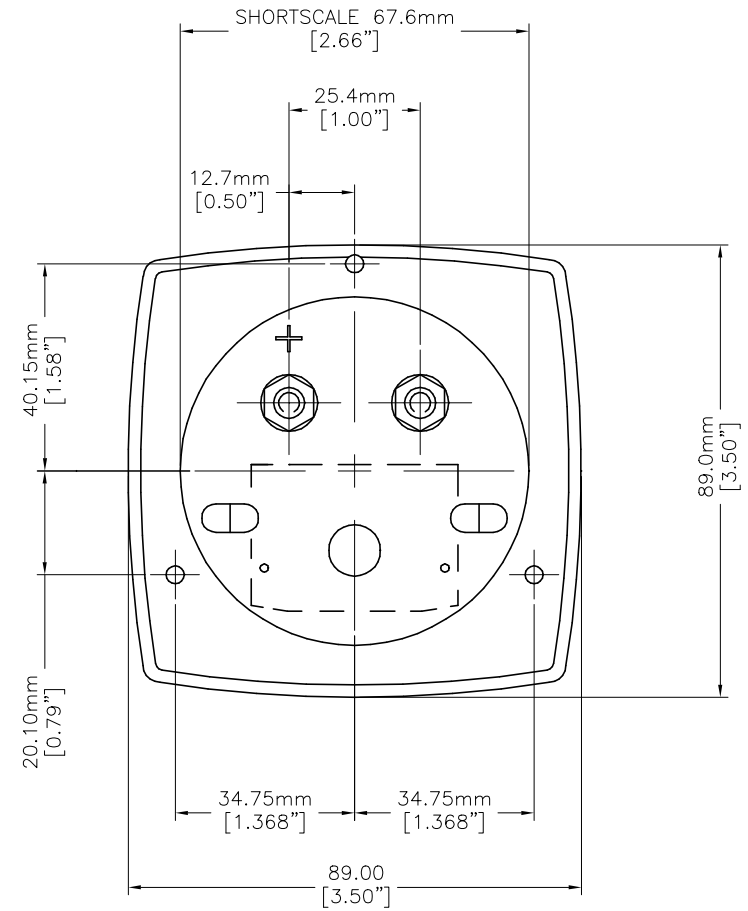



FIXING STUDS NUT AND LOCK WASHER 4-40 UNC



HOLE DATA 'A' HOLES 3.60mm [0.14\"/>

PANEL DRILLING



THIS DRAWING IS A CONTROLLED DOCUMENT.		DWN 11FEB2020 SANDEEP G	 TE Connectivity		
DIMENSIONS: mm		CHK 11FEB2020 NIGEL JOHNSON			
TOLERANCES UNLESS OTHERWISE SPECIFIED:		APVD 11FEB2020 NIGEL JOHNSON	PRODUCT SPEC		
0 PLC ± - 1 PLC ± - 2 PLC ± - 3 PLC ± - 4 PLC ± - ANGLES ± -		APPLICATION SPEC		RESTRICTED TO	
MATERIAL		WEIGHT	SIZE A3	CAGE CODE 00779	DRAWING NO C=CI-3L43101
		CUSTOMER DRAWING	SCALE NTS	SHEET 1 of 1	REV 1