

THIS DRAWING IS UNPUBLISHED.

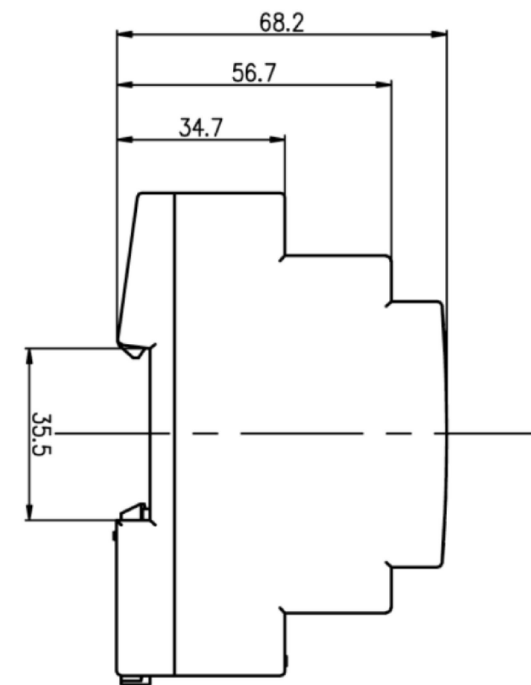
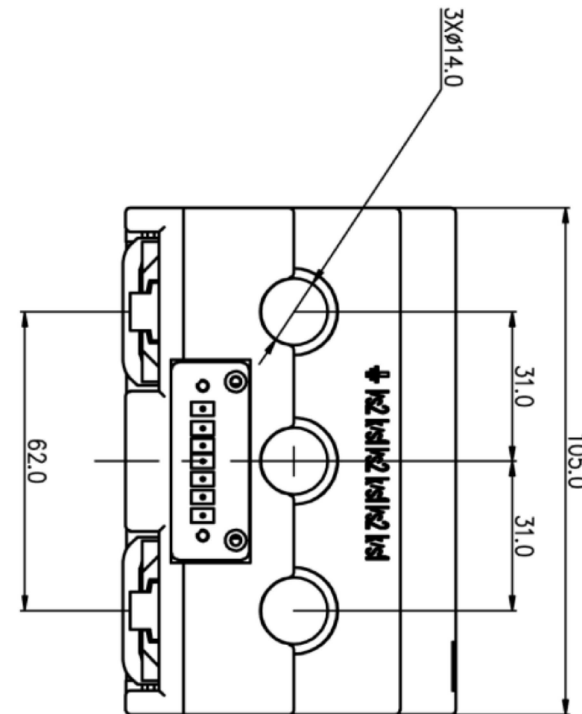
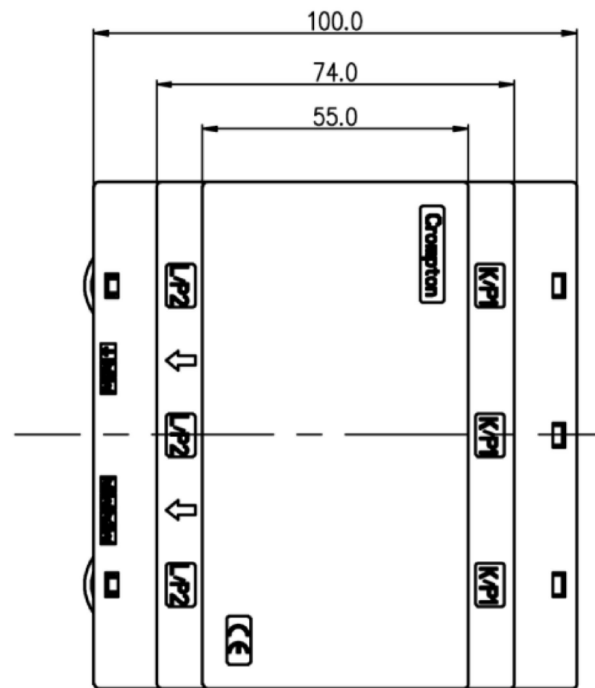
RELEASED FOR PUBLICATION


REVISIONS

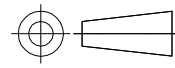
© COPYRIGHT - TE Connectivity Ltd.

ALL RIGHTS RESERVED.

P	LTR	DESCRIPTION	DATE	DWN	APVD
1		NEW LAYOUT	11FEB2020	SG	NJ



THIS DRAWING IS A CONTROLLED DOCUMENT.		DWN	11FEB2020		 TE Connectivity				
		CHK	11FEB2020						
		APVD	11FEB2020						
		NAME	NIGEL JOHNSON						
		PRODUCT SPEC	NIGEL JOHNSON		NAME	CT DIN-RAIL MOUNTED 3 in 1 DR3N1-50/5A -150/5A			
		APPLICATION SPEC	-		SIZE	CAGE CODE	DRAWING NO	RESTRICTED TO	
		WEIGHT	-		A3	00779	CI-3L43301	-	
CUSTOMER DRAWING		SCALE	NTS		SHEET	1 of 1		REV	1

DIMENSIONS:	TOLERANCES UNLESS OTHERWISE SPECIFIED:
mm	
	0 PLC ± -
	1 PLC ± -
	2 PLC ± -
	3 PLC ± -
	4 PLC ± -
	ANGLES ± -
MATERIAL	FINISH
-	-