

4

3

2

1

THIS DRAWING IS UNPUBLISHED.

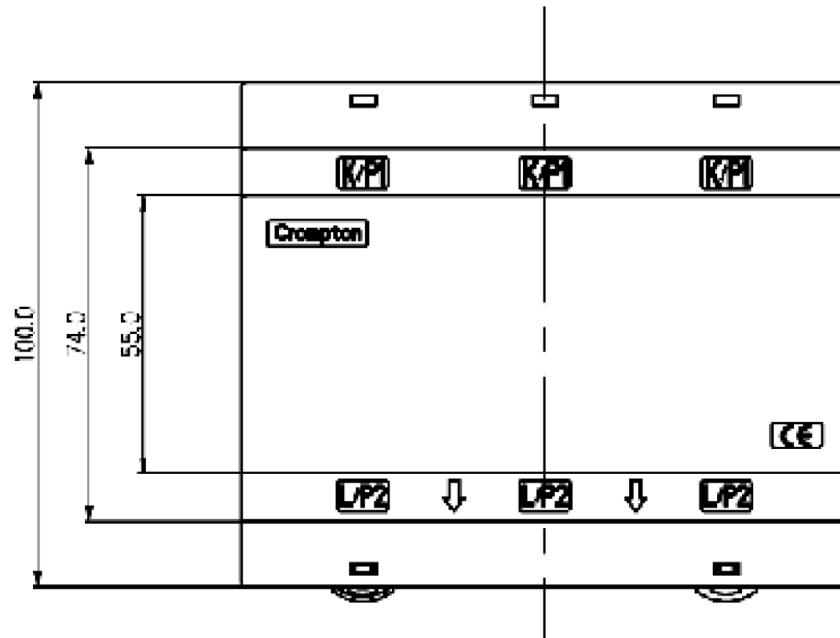
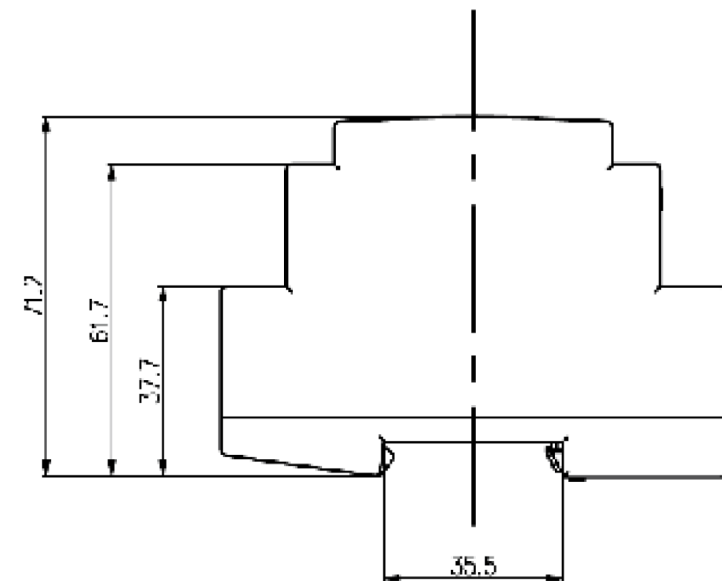
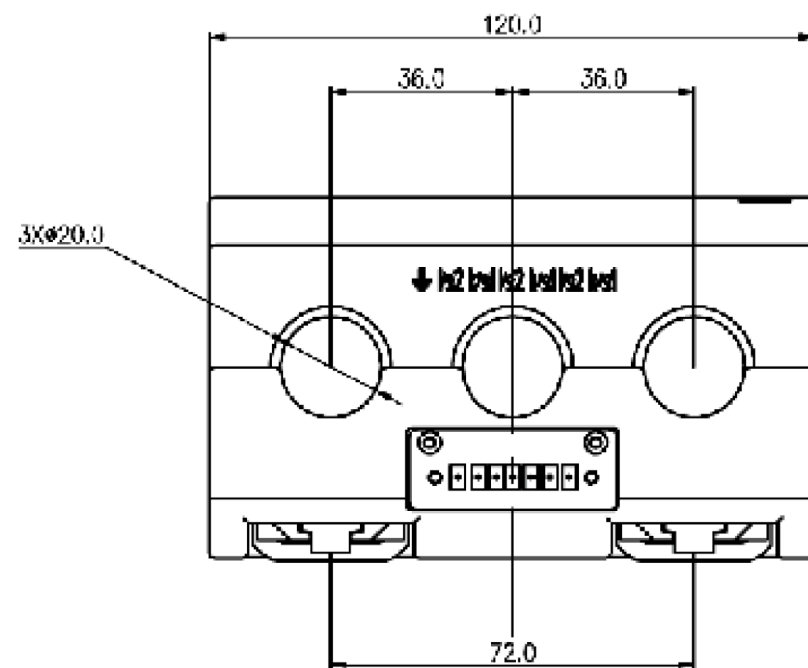
RELEASED FOR PUBLICATION


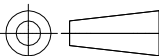
REVISIONS

© COPYRIGHT - TE Connectivity Ltd.

ALL RIGHTS RESERVED.

P	LTR	DESCRIPTION	DATE	DWN	APVD
1		NEW LAYOUT	17FEB2020	SG	NJ



THIS DRAWING IS A CONTROLLED DOCUMENT.		DWN	SANDEEP G		17FEB2020	 TE Connectivity
		CHK	NIGEL JOHNSON		17FEB2020	
		APVD	NIGEL JOHNSON		17FEB2020	
DIMENSIONS:		TOLERANCES UNLESS OTHERWISE SPECIFIED:		NAME		CT DIN-rail mounted 3 in 1 DR3N1-160/5A 250/5A Dimensions
mm		0 PLC ± - 1 PLC ± - 2 PLC ± - 3 PLC ± - 4 PLC ± - ANGLES ± -		PRODUCT SPEC		
		MATERIAL		APPLICATION SPEC		RESTRICTED TO
-		-		WEIGHT -		SIZE A3 CAGE CODE 00779 DRAWING NO C=CI-3L43401
CUSTOMER DRAWING				SCALE	NTS	SHEET 1 of 1 REV 1