

4

3

2

1

THIS DRAWING IS UNPUBLISHED.

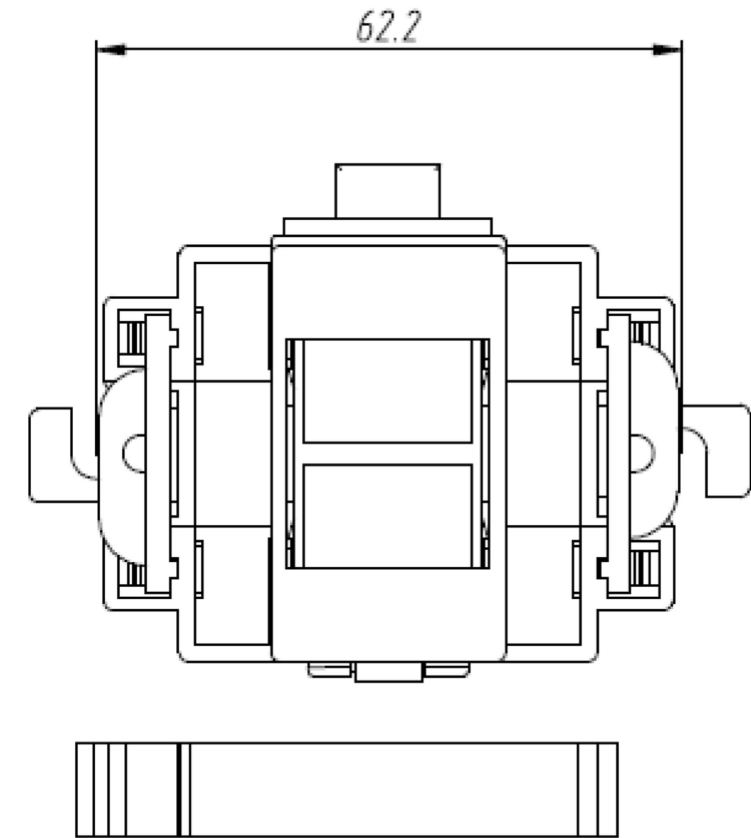
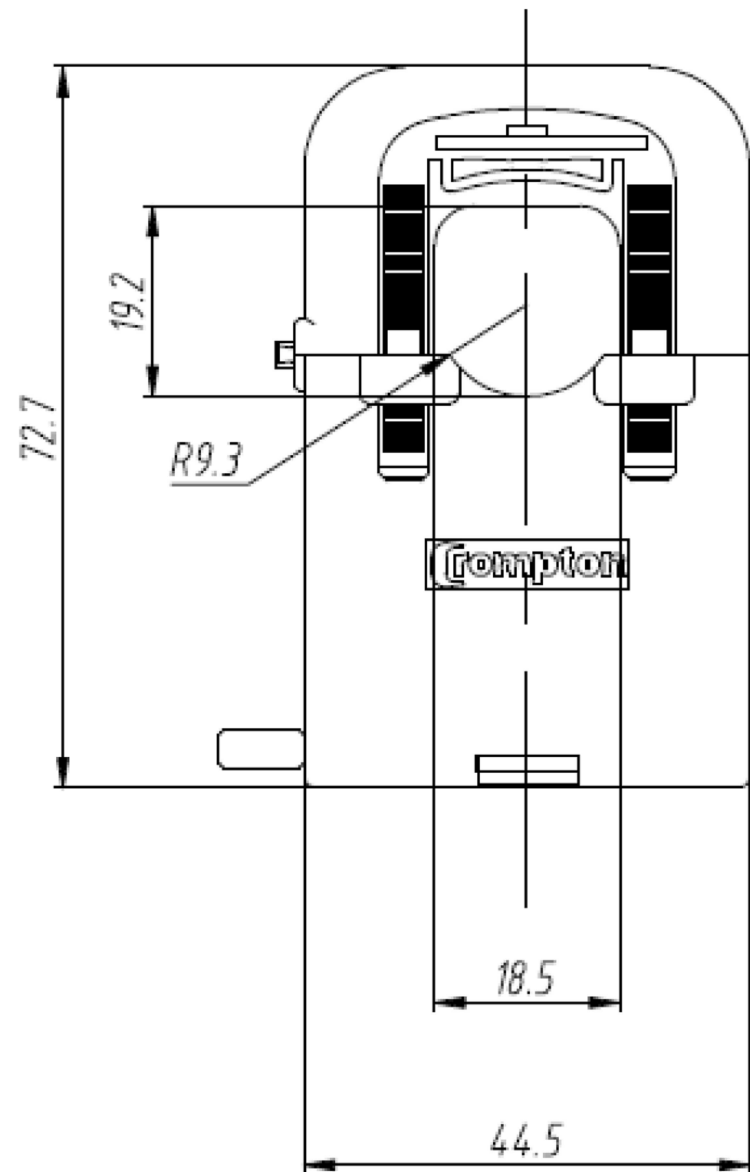
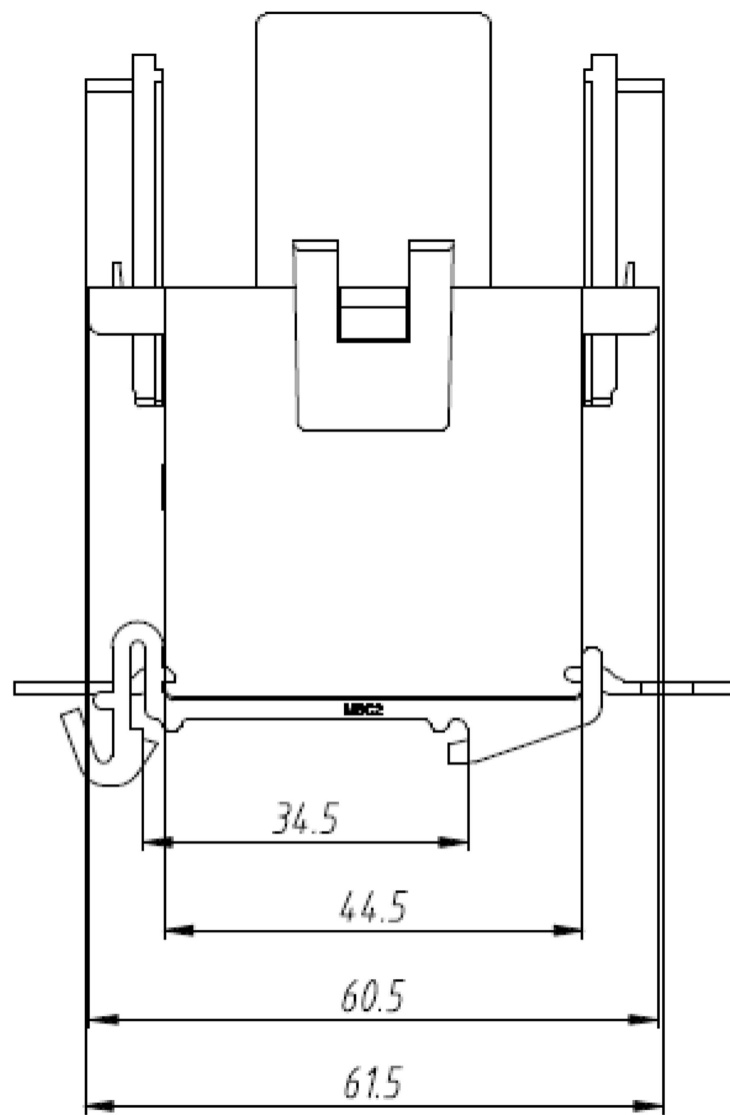
RELEASED FOR PUBLICATION


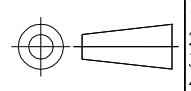
REVISIONS

© COPYRIGHT - TE Connectivity Ltd.

ALL RIGHTS RESERVED.

| P | LTR | DESCRIPTION | DATE | DWN | APVD |
|---|-----|-------------|-----------|-----|------|
| 1 | | NEW LAYOUT | 11FEB2020 | SG | NJ |



| | | | | | |
|---|--|------------------------------------|---|--------------------|--------------------------|
| THIS DRAWING IS A CONTROLLED DOCUMENT. | | DWN SANDEEP G 11FEB2020 |  TE Connectivity | | |
| DIMENSIONS: mm | | CHK NIGEL JOHNSON 11FEB2020 | | | |
|  | | APVD NIGEL JOHNSON 11FEB2020 | NAME MSC2 - CT | | |
| TOLERANCES UNLESS OTHERWISE SPECIFIED: 0 PLC ± - 1 PLC ± - 2 PLC ± - 3 PLC ± - 4 PLC ± - ANGLES ± - | | PRODUCT SPEC - | APPLICATION SPEC - | | |
| MATERIAL - | | FINISH - | SIZE A3 | CAGE CODE 00779 | DRAWING NO CI-3L43601 |
| CUSTOMER DRAWING | | | RESTRICTED TO - | SCALE NTS | SHEET 1 OF 1 |
| | | | REV 1 | | |