

4

3

2

1

THIS DRAWING IS UNPUBLISHED.

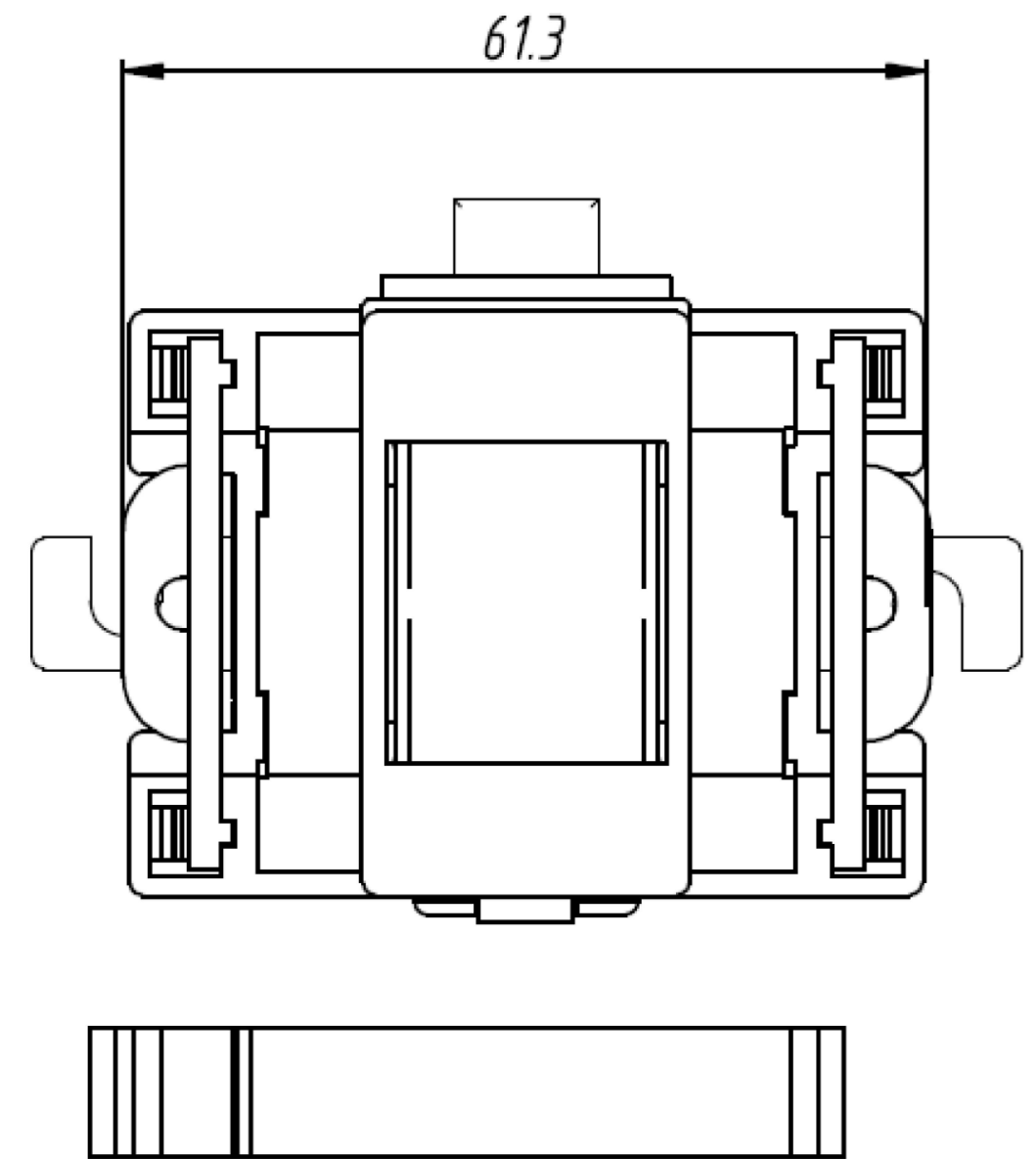
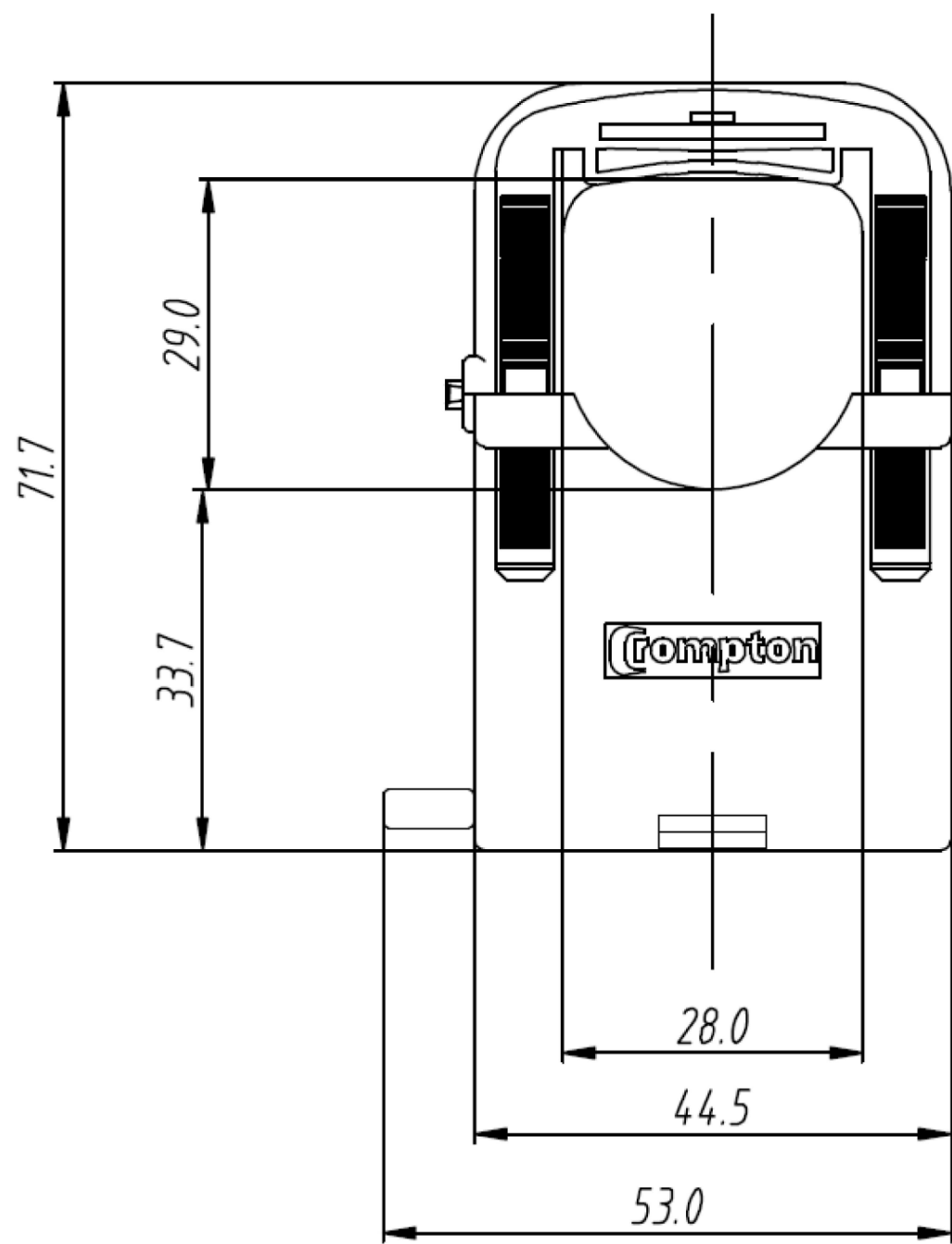
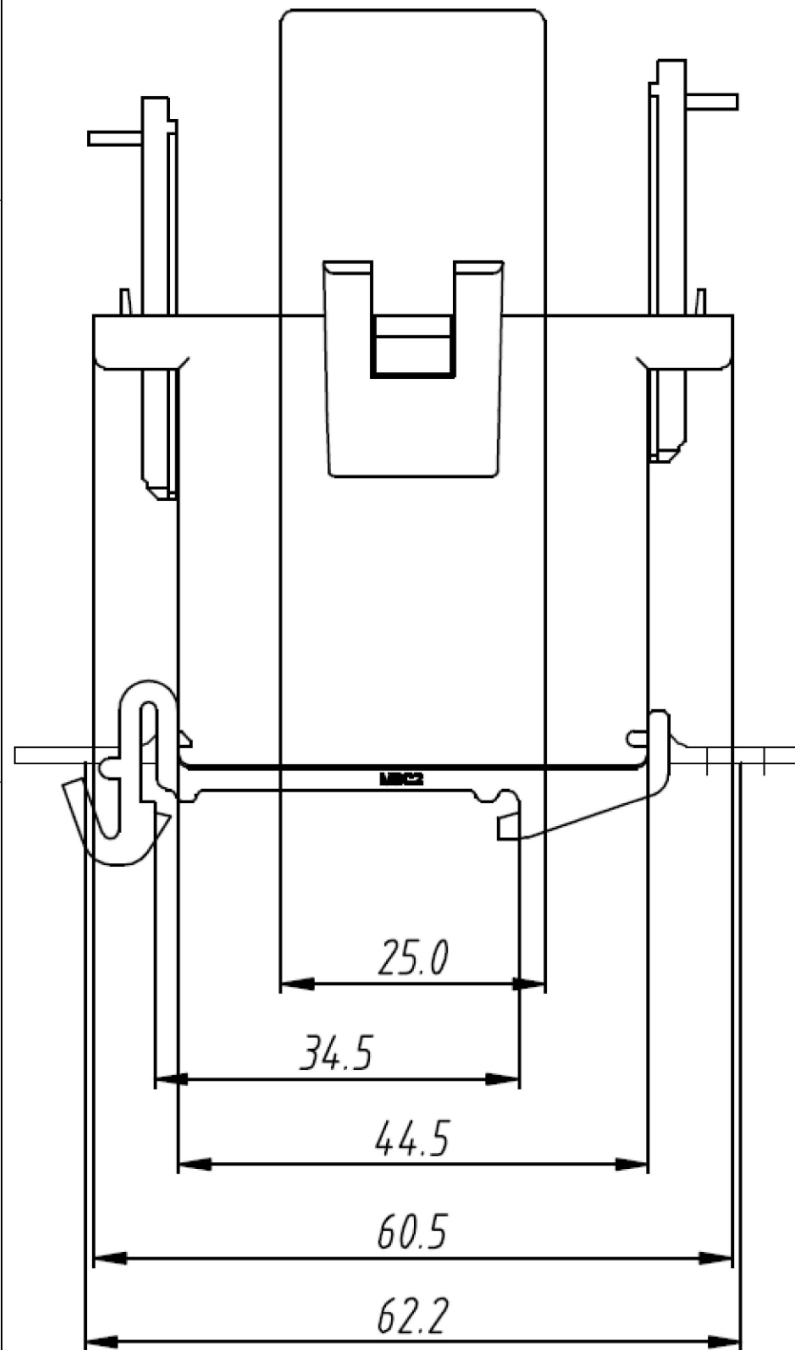
RELEASED FOR PUBLICATION

© COPYRIGHT - TE Connectivity Ltd.

ALL RIGHTS RESERVED.

REVISIONS

P	LTR	DESCRIPTION	DATE	DWN	APVD
1		NEW LAYOUT	17FEB2020	SG	NJ



THIS DRAWING IS A CONTROLLED DOCUMENT.		DWN	SANDEEP G		17FEB2020
DIMENSIONS:		CHK	NIGEL JOHNSON		17FEB2020
mm		APVD	NIGEL JOHNSON		17FEB2020
TOLERANCES UNLESS OTHERWISE SPECIFIED:		NAME			
0 PLC ± -		MSC3 - CT			
1 PLC ± -		-			
2 PLC ± -		-			
3 PLC ± -		APPLICATION SPEC			
4 PLC ± -		-			
ANGLES ± -		SIZE			
FINISH		CAGE CODE			
-		DRAWING NO			
		RESTRICTED TO			
		A3 00779			
		G-CI-3L43801			
		SCALE			
		CUSTOMER DRAWING			
		SHEET			
		NTS			
		1 OF 1			
		REV			
		1			