

4

3

2

1

THIS DRAWING IS UNPUBLISHED.

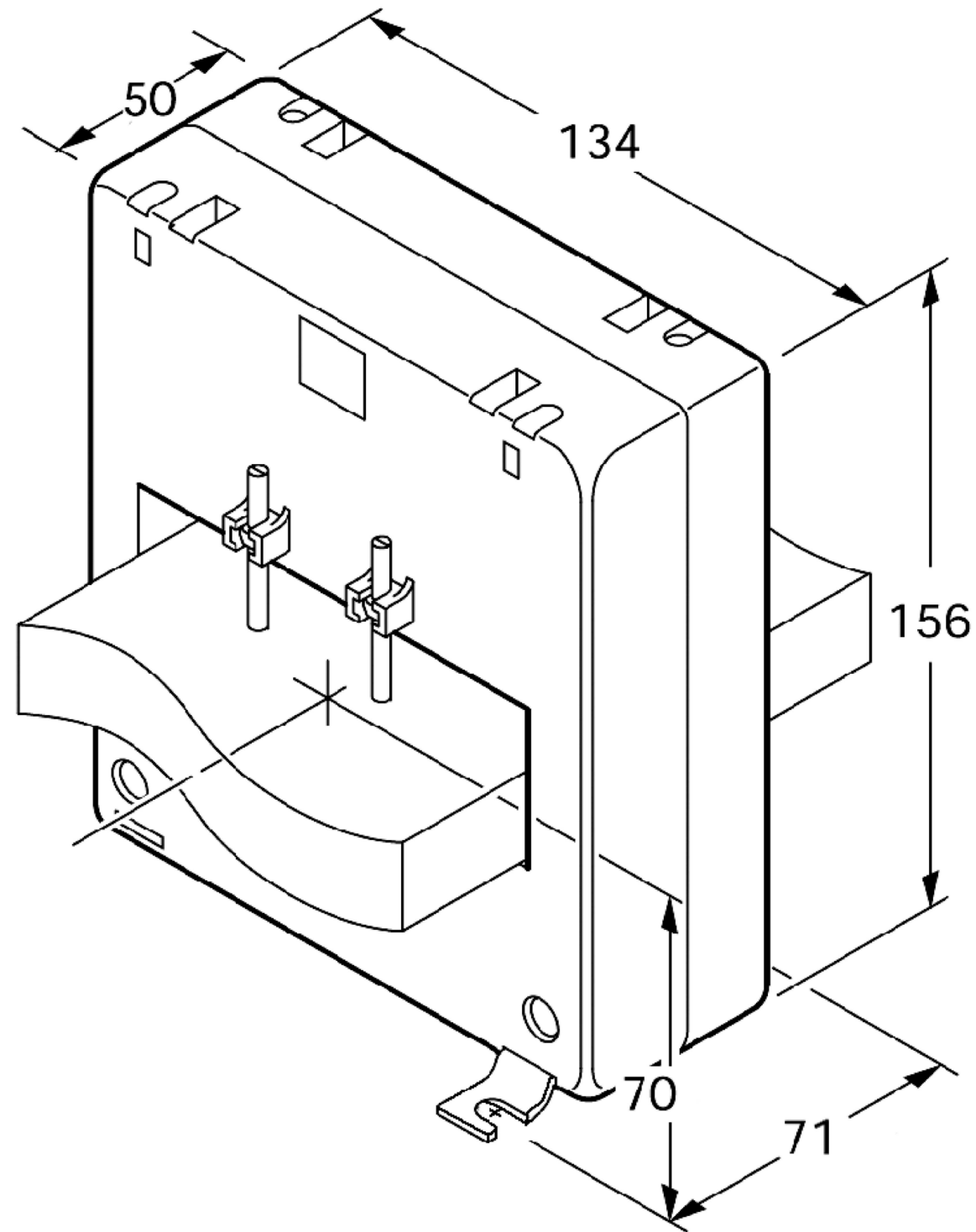
RELEASED FOR PUBLICATION


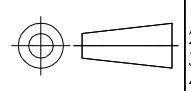
REVISIONS

© COPYRIGHT - TE Connectivity Ltd.

ALL RIGHTS RESERVED.

P	LTR	DESCRIPTION	DATE	DWN	APVD
1		NEW LAYOUT	17FEB2020	SG	NJ



THIS DRAWING IS A CONTROLLED DOCUMENT.		DWN	SANDEEP G		17FEB2020	 TE Connectivity
DIMENSIONS:		CHK	NIGEL JOHNSON		17FEB2020	
mm		APVD	NIGEL JOHNSON		17FEB2020	
		PRODUCT SPEC		NAME		
TOLERANCES UNLESS OTHERWISE SPECIFIED:		APPLICATION SPEC		MBZ EBONY CT RANGE		
0 PLC ± -		WEIGHT		SIZE		RESTRICTED TO
1 PLC ± -		-		CAGE CODE		
2 PLC ± -		-		DRAWING NO		
3 PLC ± -		-		A3 00779		
4 PLC ± -		-		G=CI-3L44201		
ANGLES ± -		CUSTOMER DRAWING		SCALE		
FINISH		-		NTS		
-		-		SHEET		1 of 1
				REV		1