

THIS DRAWING IS UNPUBLISHED.

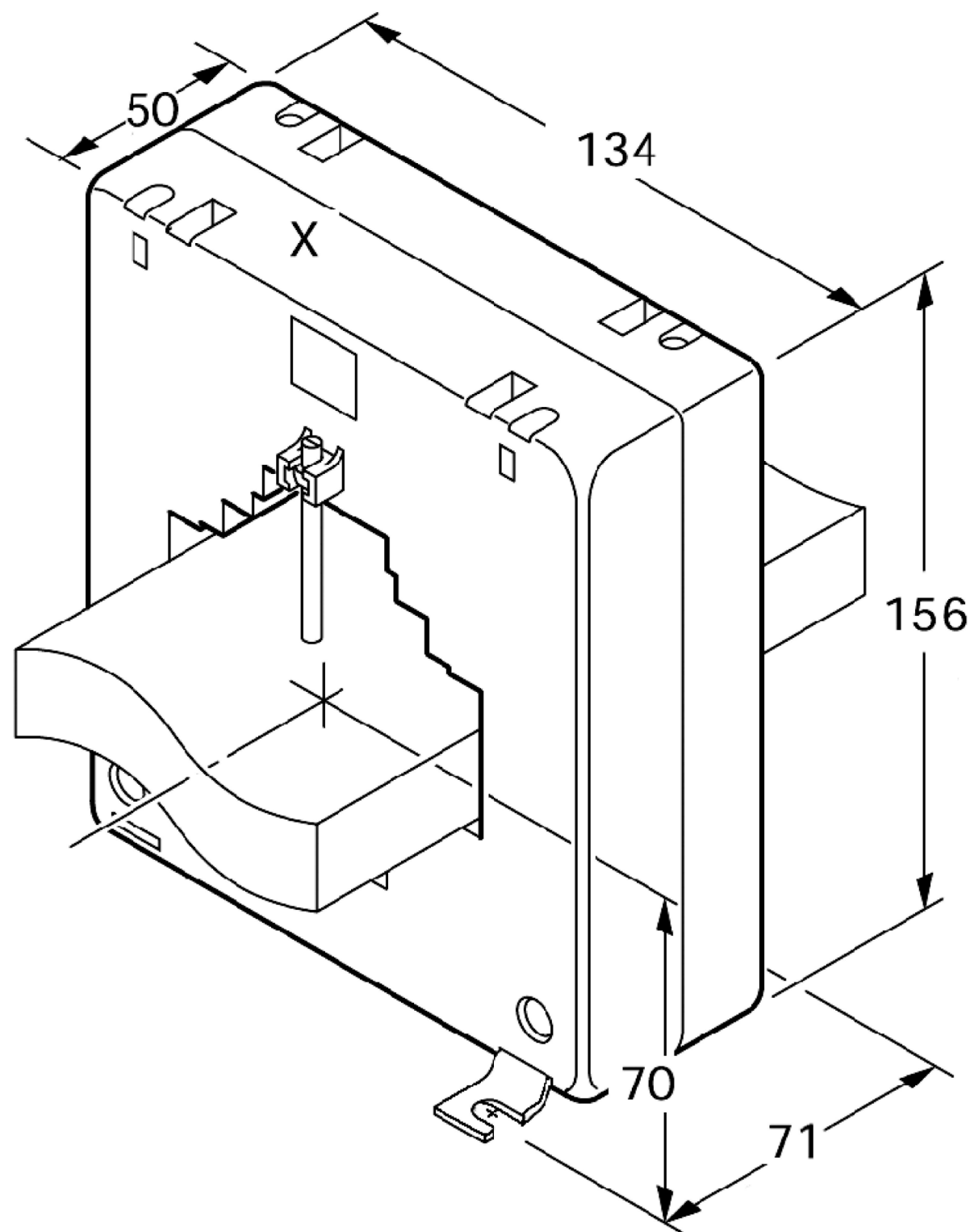
RELEASED FOR PUBLICATION

REVISIONS

© COPYRIGHT - TE Connectivity Ltd.

ALL RIGHTS RESERVED.

P	LTR	DESCRIPTION	DATE	DWN	APVD
1		NEW LAYOUT	17FEB2020	SG	NJ



THIS DRAWING IS A CONTROLLED DOCUMENT.		DWN	SANDEEP G		17FEB2020
DIMENSIONS:		CHK	NIGEL JOHNSON		17FEB2020
mm	TOLERANCES UNLESS OTHERWISE SPECIFIED:	APVD	NIGEL JOHNSON		17FEB2020
0 PLC	± -	PRODUCT SPEC			
1 PLC	± -	NAME			
2 PLC	± -	MB5D EBONY CT RANGE			
3 PLC	± -	-			
4 PLC	± -	APPLICATION SPEC			
ANGLES	± -	-			
MATERIAL	FINISH	SIZE	CAGE CODE	DRAWING NO	RESTRICTED TO
-	-	A3	00779	CI-3L44301	-
CUSTOMER DRAWING					SCALE
					NTS
					SHEET
					1 of 1
					REV
					1