

4

3

2

1

THIS DRAWING IS UNPUBLISHED.

RELEASED FOR PUBLICATION

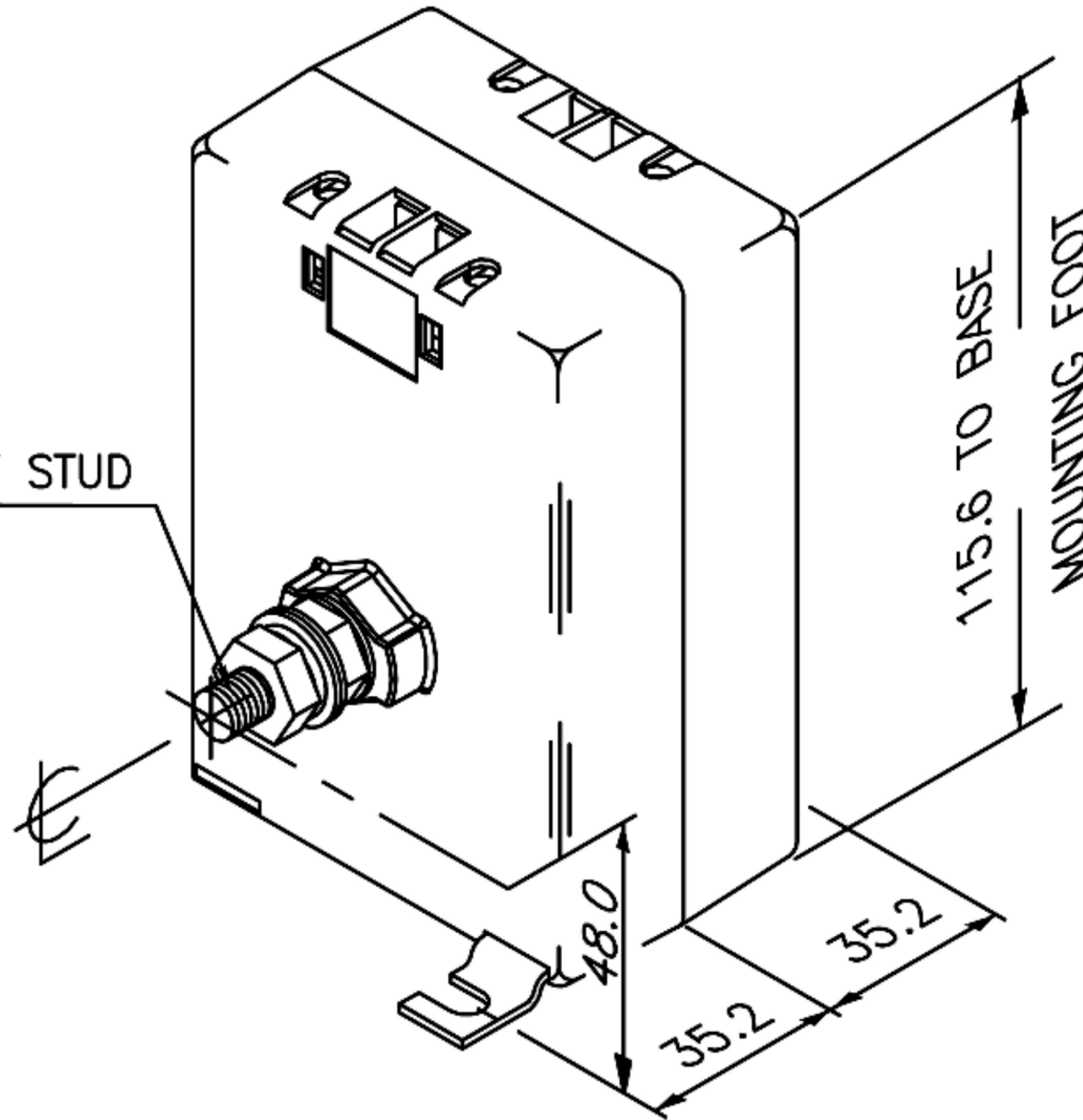
REVISIONS

© COPYRIGHT - TE Connectivity Ltd.

ALL RIGHTS RESERVED.

P	LTR	DESCRIPTION	DATE	DWN	APVD
1		NEW LAYOUT	17FEB2020	SG	NJ

M8 PRIMARY STUD



THIS DRAWING IS A CONTROLLED DOCUMENT.		DWN	17FEB2020		TE TE Connectivity
		CHK	17FEB2020		
		NIGEL JOHNSON			NAME
		NIGEL JOHNSON			
		PRODUCT SPEC			MA5Y EBONY CT
		APPLICATION SPEC			
		WEIGHT			RESTRICTED TO
		CUSTOMER DRAWING			—
DIMENSIONS: mm		TOLERANCES UNLESS OTHERWISE SPECIFIED:		SIZE	CAGE CODE
		0 PLC	± -	A3	00779
		1 PLC	± -	DRAWING NO	
		2 PLC	± -	G=CI-3L44401	
		3 PLC	± -	RESTRICTED TO	
		4 PLC	± -	—	
MATERIAL		FINISH		SCALE	SHEET
-		-		NTS	1 of 1
				REV	1