

THIS DRAWING IS UNPUBLISHED.

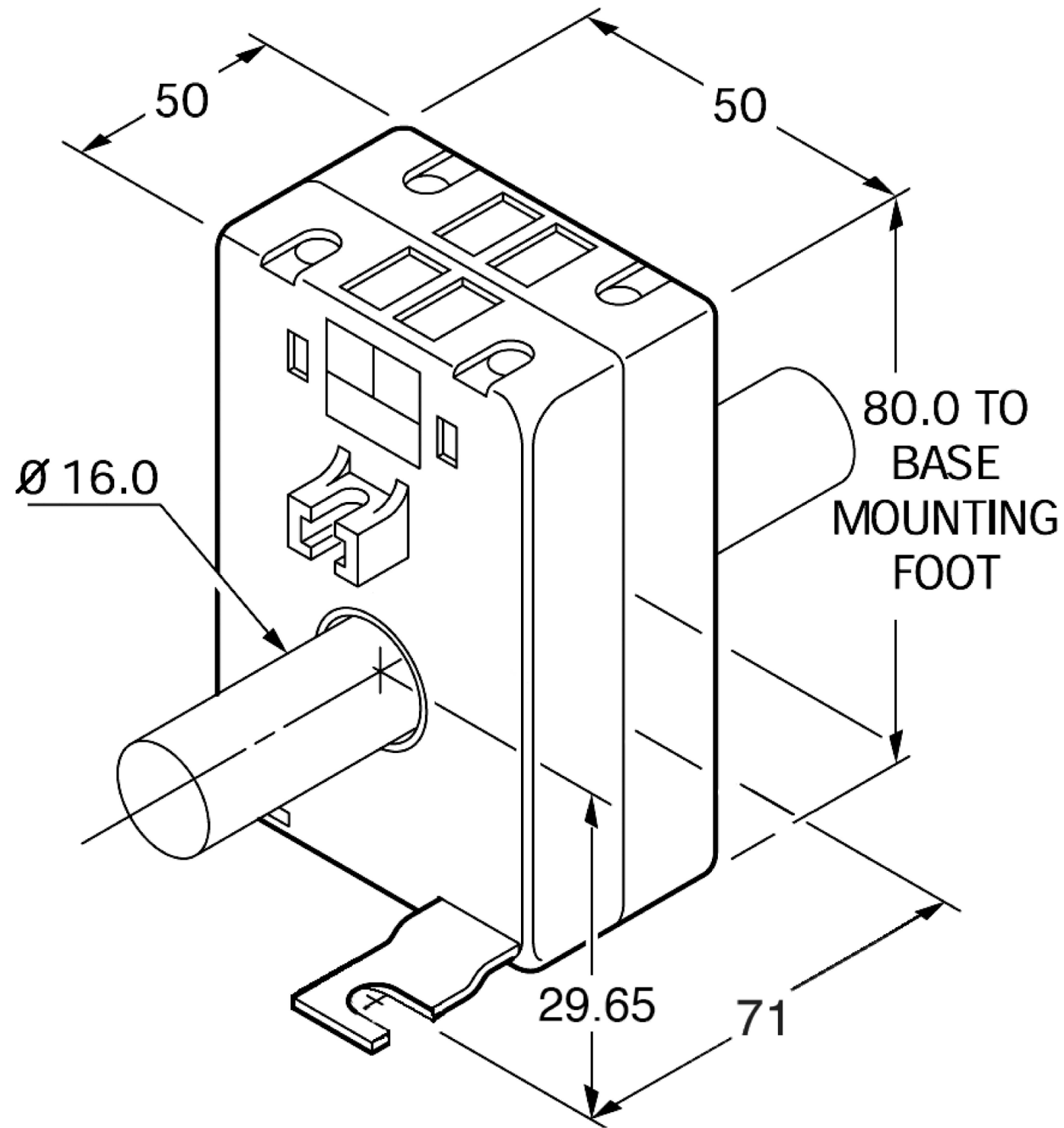
RELEASED FOR PUBLICATION


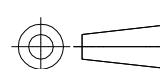
REVISIONS

© COPYRIGHT - TE Connectivity Ltd.

ALL RIGHTS RESERVED.

P	LTR	DESCRIPTION	DATE	DWN	APVD
1		NEW LAYOUT	17FEB2020	SG	NJ



THIS DRAWING IS A CONTROLLED DOCUMENT.		DWN	17FEB2020		 TE Connectivity
		CHK	17FEB2020		
		APVD	17FEB2020		
		NIGEL JOHNSON			
DIMENSIONS:		TOLERANCES UNLESS OTHERWISE SPECIFIED:		NAME	
mm				M55E EBONY CT	
		0 PLC ± - 1 PLC ± - 2 PLC ± - 3 PLC ± - 4 PLC ± - ANGLES ± -		PRODUCT SPEC	
MATERIAL		FINISH		APPLICATION SPEC	
-		-		-	
		WEIGHT		SIZE	
		-		A3	
		CUSTOMER DRAWING		CAGE CODE	
				00779	
				DRAWING NO	
				G=CI-3L44501	
				RESTRICTED TO	
				-	
				SCALE	
				NTS	
				SHEET	
				1 of 1	
				REV	
				1	