

4

3

2

1

THIS DRAWING IS UNPUBLISHED.

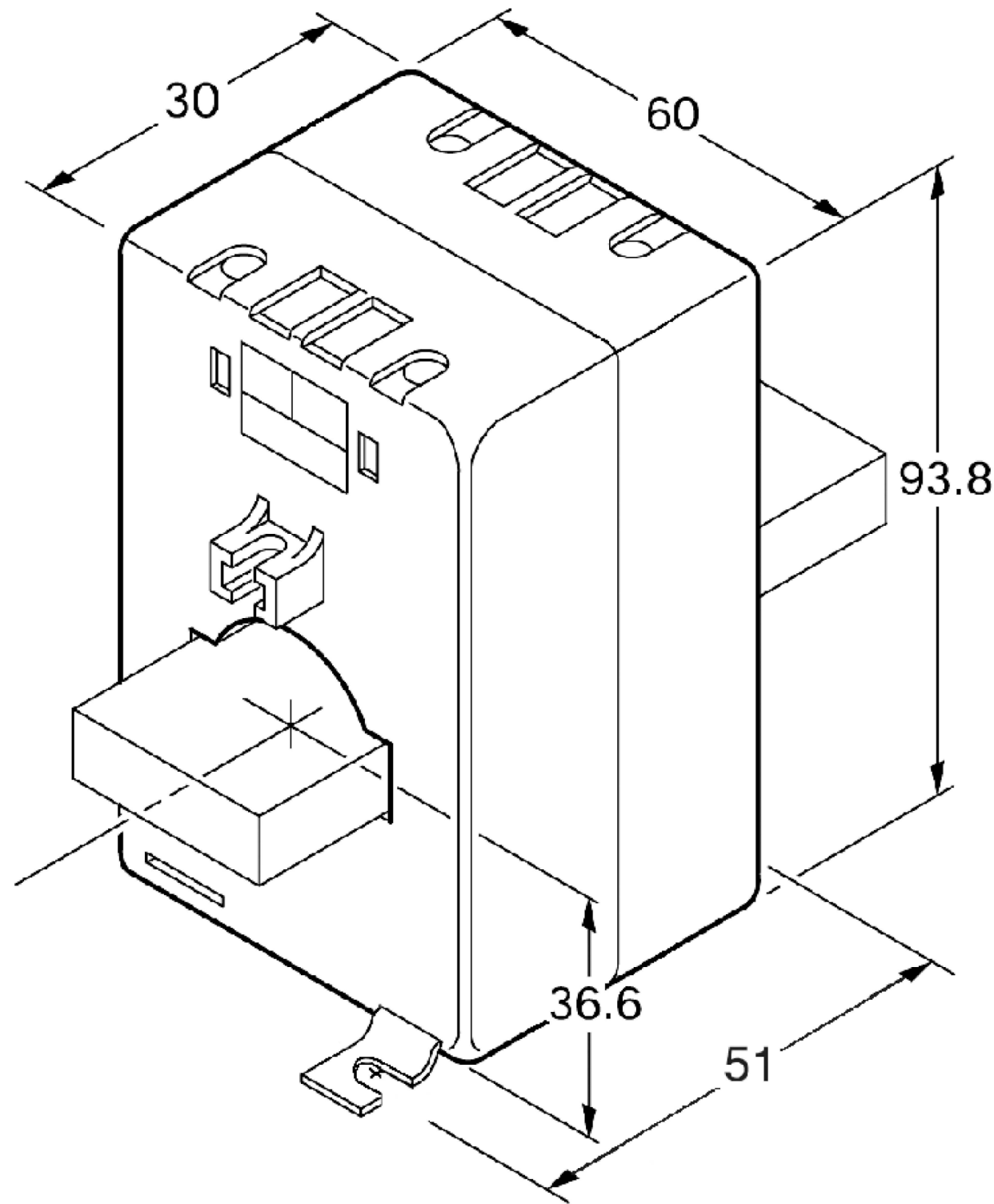
RELEASED FOR PUBLICATION

REVISIONS

© COPYRIGHT - TE Connectivity Ltd.

ALL RIGHTS RESERVED.

P	LTR	DESCRIPTION	DATE	DWN	APVD
	1	NEW LAYOUT	17FEB2020	SG	NJ



THIS DRAWING IS A CONTROLLED DOCUMENT.		DWN	SANDEEP G		17FEB2020	TE TE Connectivity
DIMENSIONS: mm		CHK	NIGEL JOHNSON		17FEB2020	
TOLERANCES UNLESS OTHERWISE SPECIFIED:		APVD	NIGEL JOHNSON		17FEB2020	NAME
0 PLC ± -		PRODUCT SPEC		M63N EBONY CT		SIZE
1 PLC ± -		APPLICATION SPEC		-		CAGE CODE
2 PLC ± -		WEIGHT		-		DRAWING NO
3 PLC ± -		CUSTOMER DRAWING		-		RESTRICTED TO
4 PLC ± -		SCALE		NTS		1 OF 1
ANGLES ± -		SHEET		1		REV
FINISH		-		-		1
MATERIAL		-		-		
		A3		00779		CI-3L44701